

MATED WITH: PASSEND ZU:	LOC A1	DIST —	REVISIONS ÄNDERUNGEN DESCRIPTION BESCHREIBUNG			DATE	DWN	APVD
PROJEKT NR.: —			P	LTR		22MAR11	RK	HMR
			A1	REVISED PER ECO-11-005150				


Customer Drawing
for PN 1703013

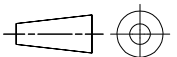
SEE 1703020

RELEASED FOR PUBLICATION
 FREI FÜR VERÖFFENTLICHUNG
 ALL RIGHTS RESERVED.

THIS DRAWING IS UNPUBLISHED.
 VERTRAULICHE UNVERÖFFENTLICHTE ZEICHNUNG.

© COPYRIGHT — By —

—	—	—	—	—	—	—	—	
CUSTOMER PART NO	PART NO	REV.	PCS.	MATERIAL	SURFACE COLOR	DESCRIPTION		
DIMENSIONS: MASSENHHEITEN mm	DWN Abraham,G.	04-FEB-04	MATERIAL	—	FINISH OBERFLAECHE/FARBE	—		
TOLERANCES UNLESS OTHERWISE SPECIFIED: ALLGEMEINTOLERANZEN ISO 8015 P. ISO 2768 - MH - E P. DIN 16901 - 140	CHK Goepfel,C.	05-FEB-04	 TE Connectivity					
	APVD Bleicher,M.	06-FEB-04						
0 PLC ± -	PRODUCT SPEC PRODUKTSPEZ.	—	NAME DIA. 1.5mm PIN CONTACT, SINGLE WIRE SEALING DIA 1.5mm Stiftkontakt, Einzeldichtungssystem					
1 PLC ± -	APPLICATION SPEC VERARBEITUNGSSPEZ.	—	SIZE	CAGE CODE	DRAWING NO ZEICHNUNGS-NR.	RESTRICTED TO NUR FUER		
2 PLC ± -			A4	00779	C-1703013	—		
3 PLC ± -	WEIGHT GEWICHT	—	CUSTOMER DRAWING / KUNDENZEICHNUNG				SCALE MASSSTAB	—
4 PLC ± -						SHEET BLATT	1 OF 1 VON	
ANGLES / WINKEL ± -							REV A1	



Mouser Electronics

Authorized Distributor

Click to View Pricing, Inventory, Delivery & Lifecycle Information:

[TE Connectivity:](#)

[1703013-1](#) [1703013-1 \(Loose Piece\)](#)