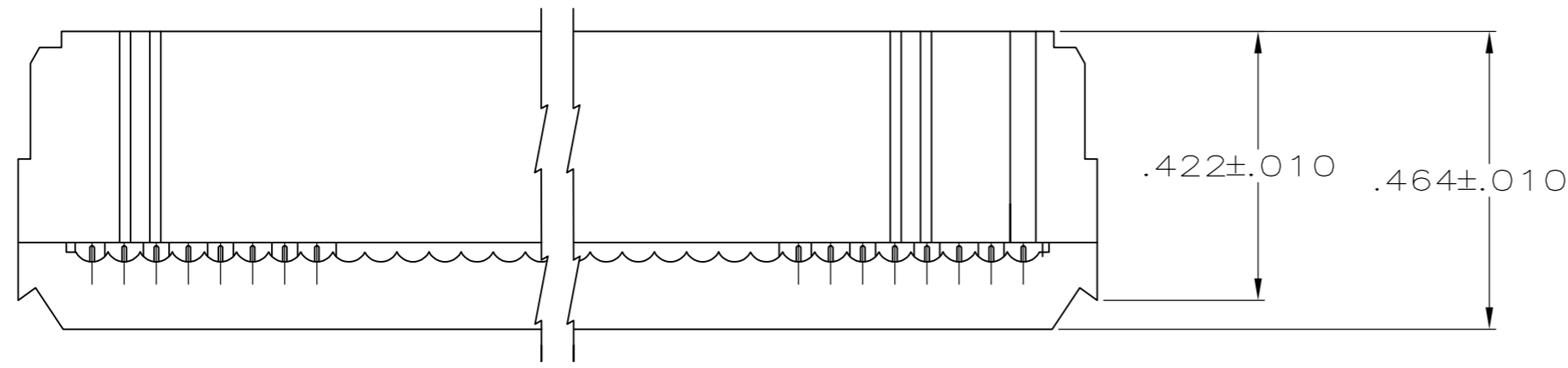


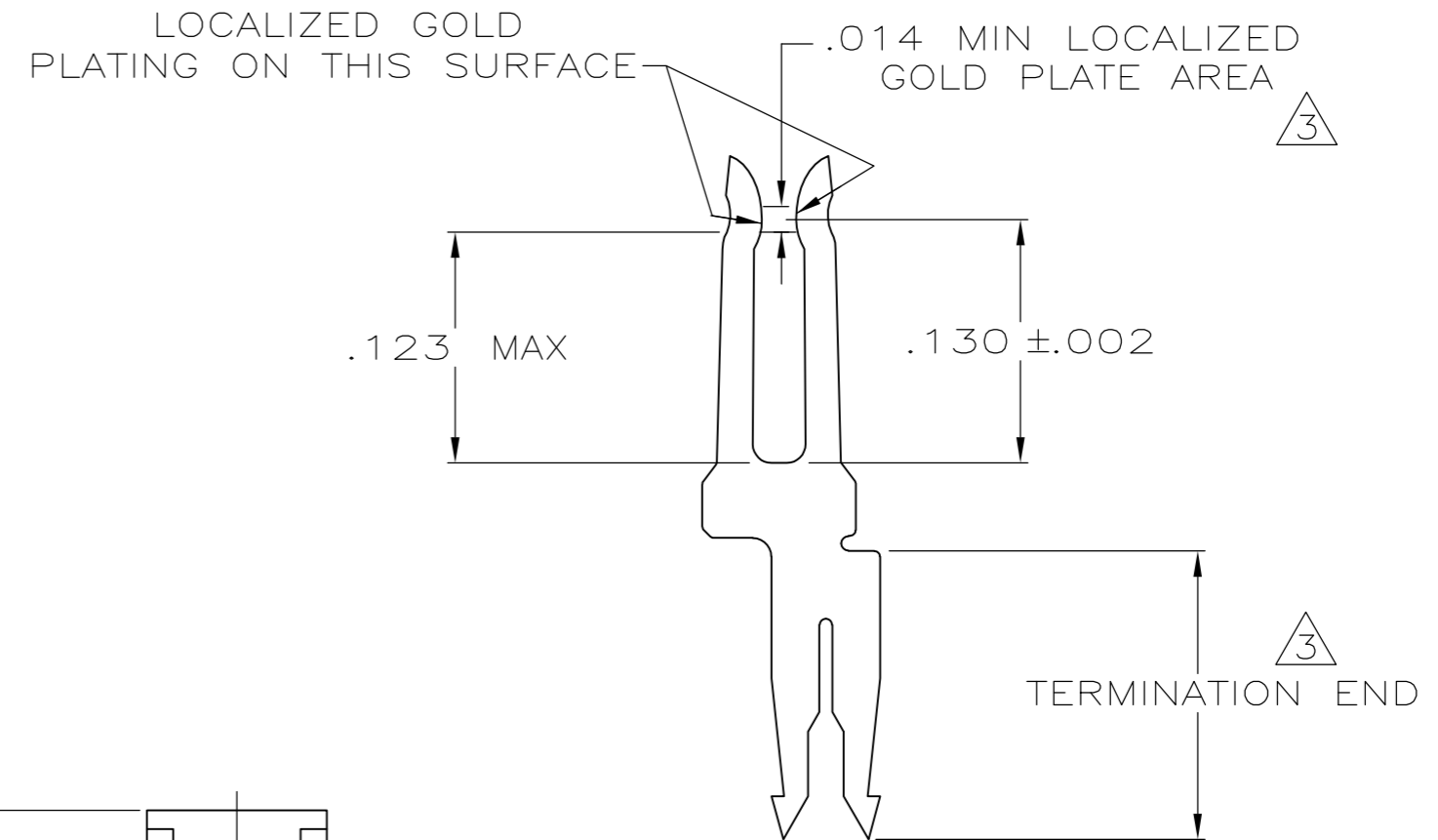
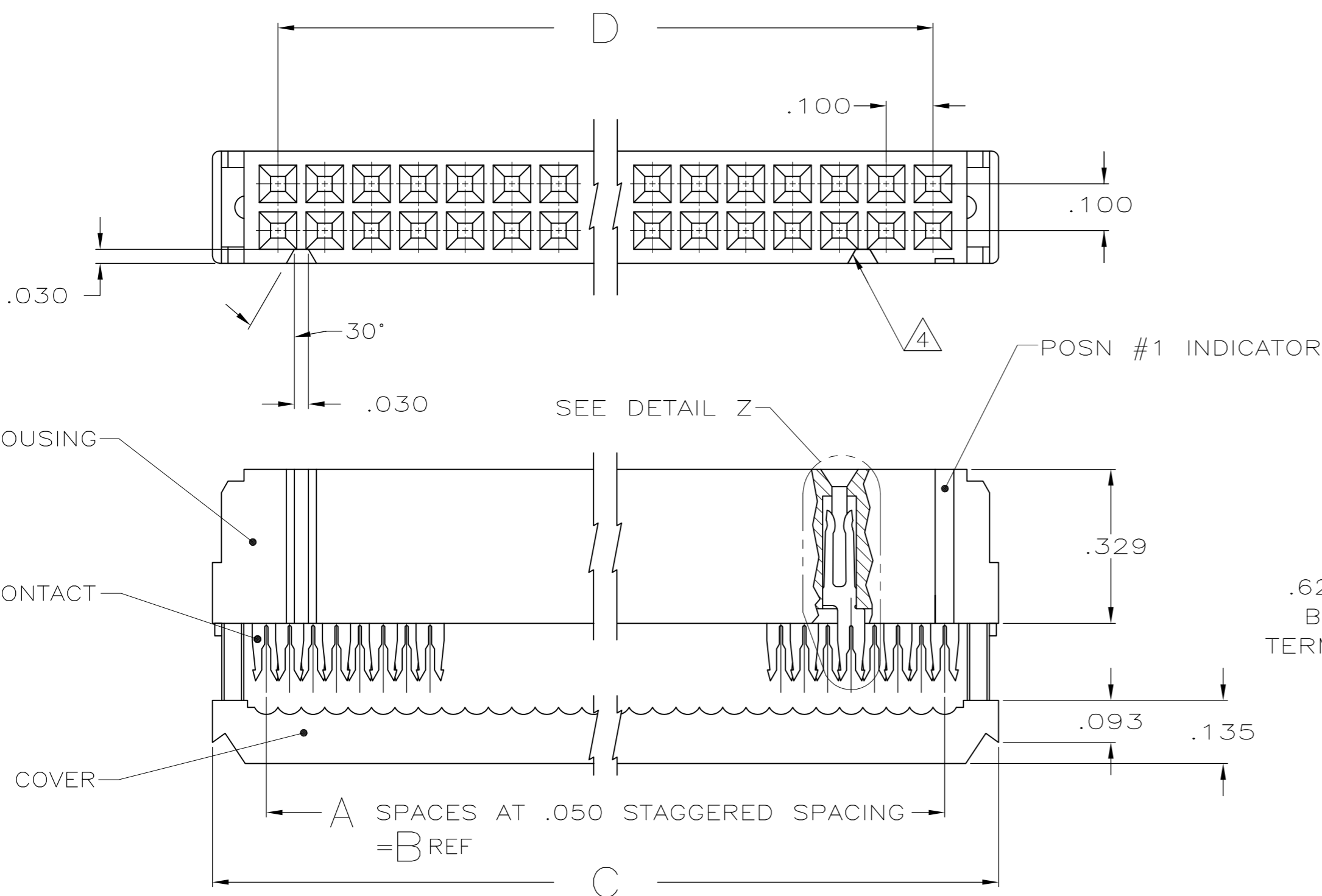
THIS DRAWING IS UNPUBLISHED. RELEASED FOR PUBLICATION
 © COPYRIGHT - By - ALL RIGHTS RESERVED.

| LOC | | DIST | | REVISIONS | | | |
|-----|-----|-------------|---------------------------|-----------|---------|------|-----|
| P | LTR | DESCRIPTION | | DATE | DWN | APVD | |
| GP | 00 | D1 | REVISED PER ECO-11-004835 | | 11MAR11 | RK | HMR |

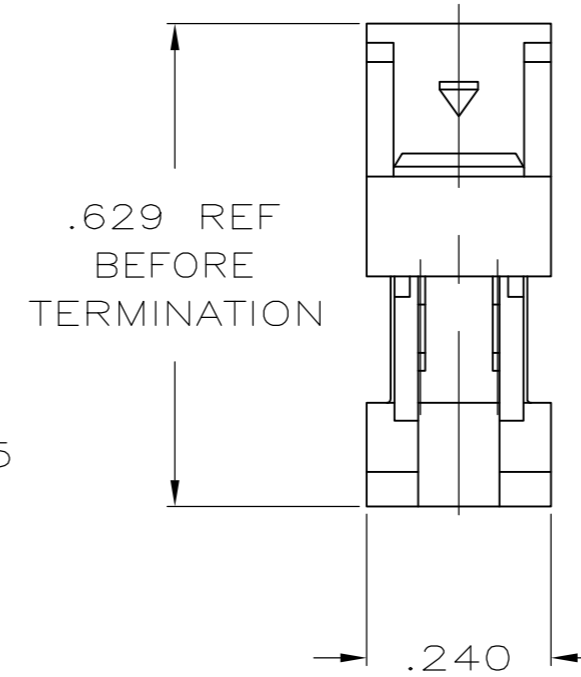


TERMINATED VIEW

- 1 UL RATED 94V-0 THERMOPLASTIC, COLOR: BLACK.
- 2 PHOSPHOR BRONZE PER QQ-B-750.
- 3 PLATED WITH .000015 MIN GOLD IN LOCALIZED GOLD PLATE AREA, .000050 MIN TIN ON TERMINATION END, ALL OVER .000050 MIN NICKEL ON ENTIRE CONTACT.
OR
GOLD FLASH OVER PALLADIUM-NICKEL PLATE .000015 MIN TOTAL IN LOCALIZED GOLD PLATE AREA, .000050 MIN TIN ON TERMINATION END, ALL OVER .000050 MIN NICKEL ON ENTIRE CONTACT.
- 4 POLARIZING FEATURE DOES NOT EXIST ON SAME END AS THE POSN #1 INDICATOR ON 10 AND 14 POSN PRODUCT.



DETAIL Z
SCALE 10:1
TYPICAL



| | D | C | B | A | NO OF POSN | PART NUMBER |
|----------|-------|-------|-------|----|------------|-------------|
| OBSOLETE | 3.100 | 3.380 | 3.150 | 63 | 64 | 1-1658620-2 |
| | 2.900 | 3.180 | 2.950 | 59 | 60 | 1-1658620-1 |
| | 2.400 | 2.680 | 2.450 | 49 | 50 | 1-1658620-0 |
| | 1.900 | 2.180 | 1.950 | 39 | 40 | 1658620-9 |
| | 1.600 | 1.880 | 1.650 | 33 | 34 | 1658620-8 |
| | 1.400 | 1.680 | 1.450 | 29 | 30 | 1658620-7 |
| | 1.200 | 1.480 | 1.250 | 25 | 26 | 1658620-6 |
| | .900 | 1.180 | .950 | 19 | 20 | 1658620-4 |
| | .700 | .980 | .750 | 15 | 16 | 1658620-3 |
| | .600 | .880 | .650 | 13 | 14 | 1658620-2 |
| | .400 | .680 | .450 | 9 | 10 | 1658620-1 |

THIS DRAWING IS A CONTROLLED DOCUMENT.

DWN R. SAMICK 22AUG03
 CHK C. ROHDE 22AUG03
 APVD M. WALMSLEY 22AUG03

TE Connectivity

RECEPTACLE ASSY, MILITARY POLARIZATION, LEAD FREE, AMP-LATCH™ NOVO

108-40000
 114-40005

SIZE A2 CAGE CODE 00779 DRAWING NO C=1658620 RESTRICTED TO -

SCALE 4:1 SHEET 1 OF 1 REV D1

Mouser Electronics

Authorized Distributor

Click to View Pricing, Inventory, Delivery & Lifecycle Information:

[TE Connectivity:](#)

[1658620-4](#)