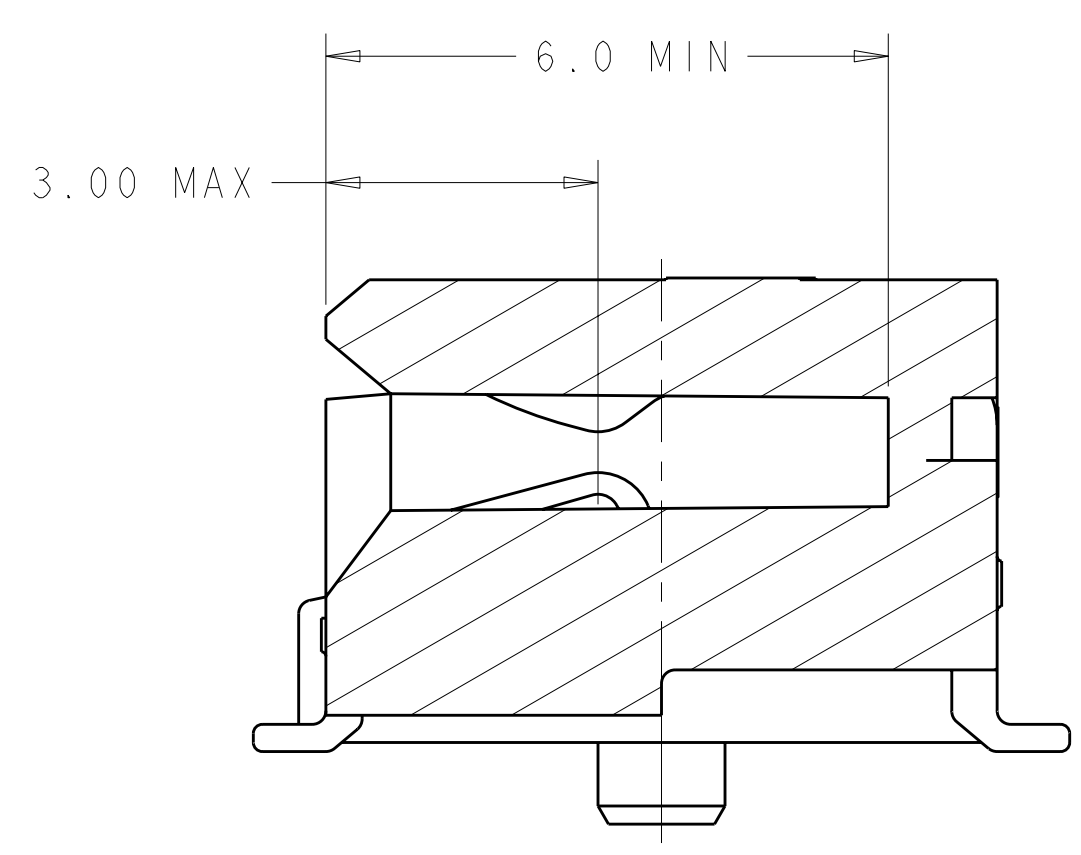
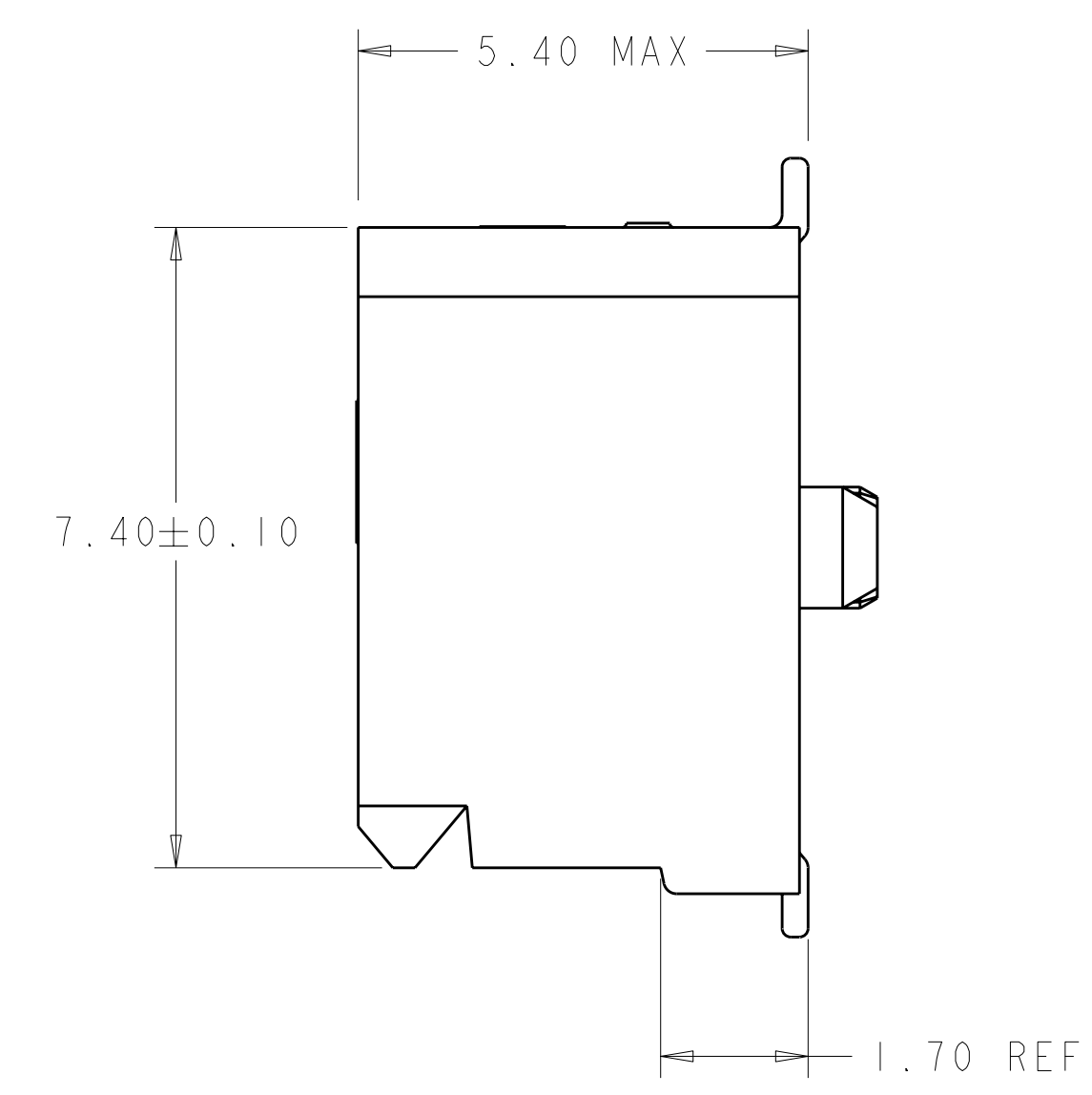
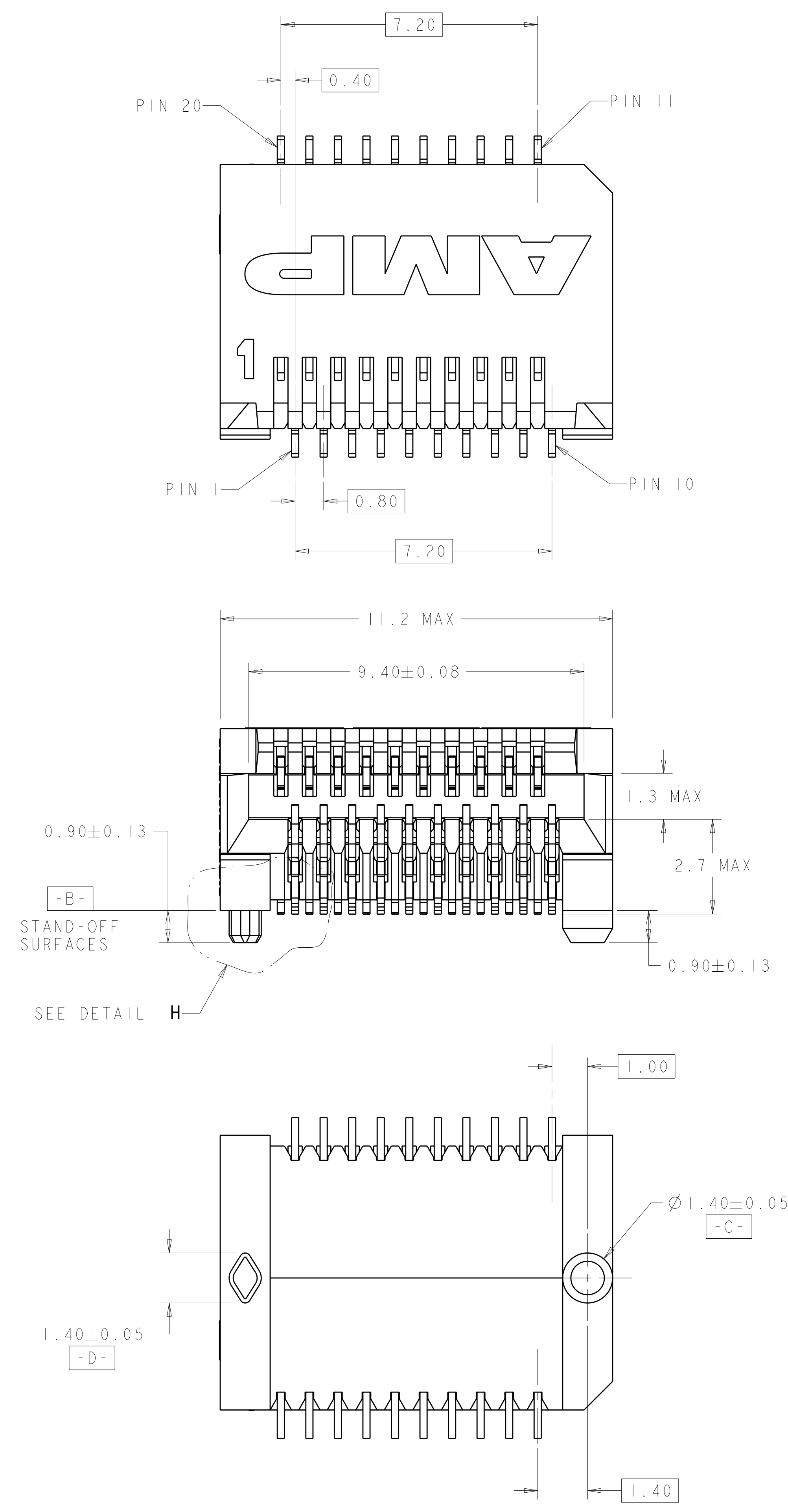
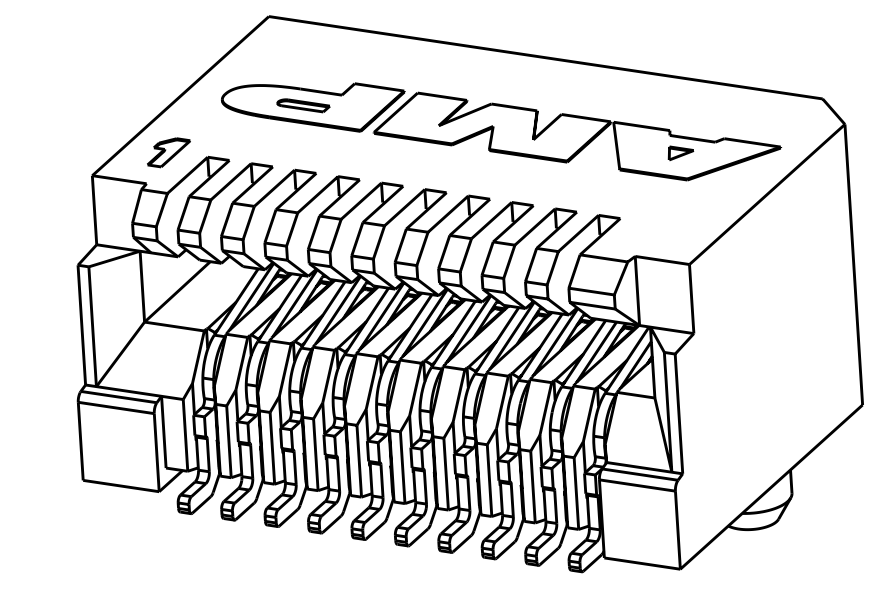


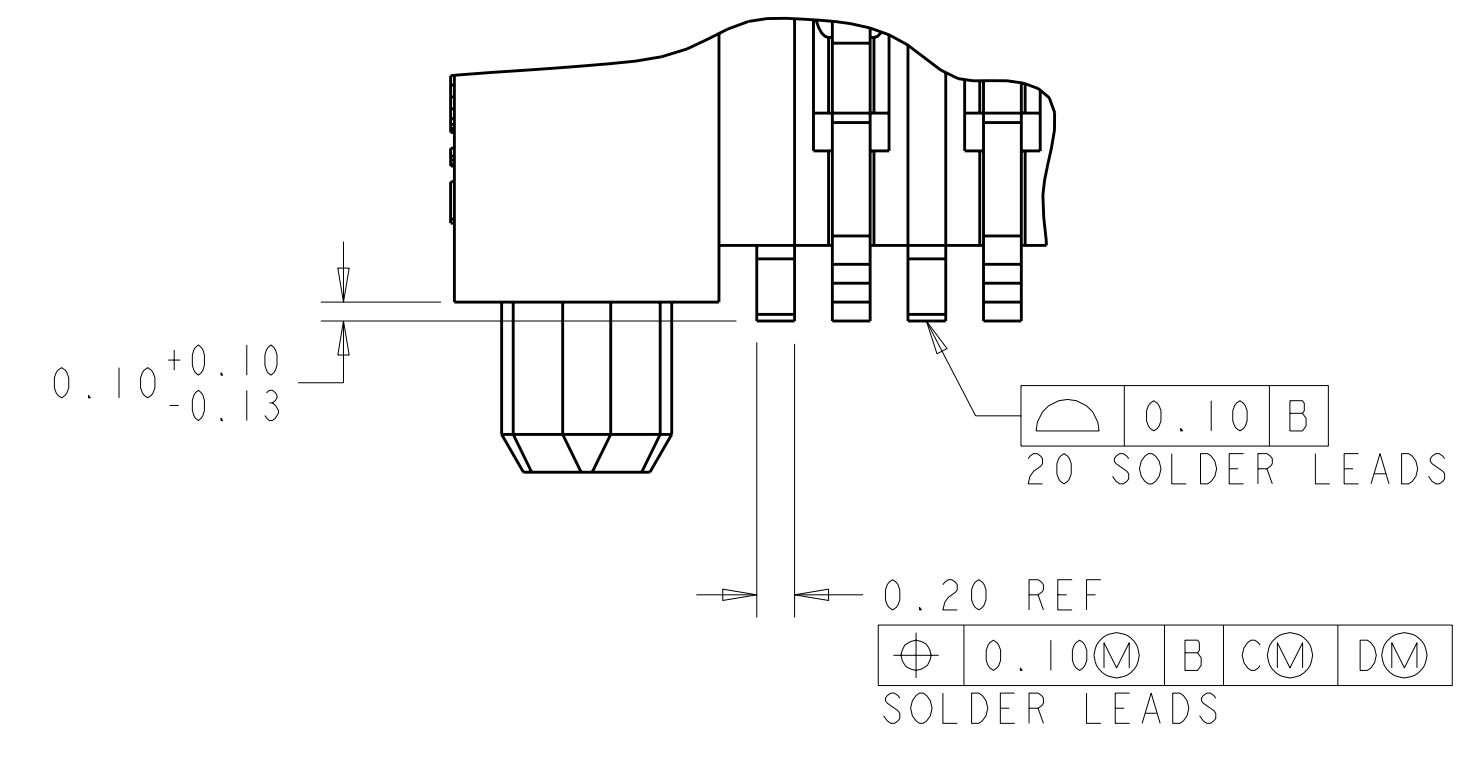
LOC	DIST	REV	DATE	BY	CHKD	APVD
ES	00	D1	17MAR2011	RK	HMR	



- PART COMPATABLE WITH SFP MSA. REFER TO THE SFP MSA FOR DIMENSIONS NOT SHOWN ON THIS PRINT.
- HOUSING: HIGH TEMPERATURE LCP, UL 94V-0 RATED, BLACK. CONTACTS: PHOSPHOR BRONZE.
- CONTACTS: 0.00076 MIN GOLD IN CONTACT AREA, 0.00013 MIN GOLD ON SOLDER AREA, OVER 0.0038 MIN NICKEL UNDERPLATE ON ENTIRE CONTACT. LUBRICANT ON GOLD PLATE CONTACT AREAS.
- PACKAGED 480 PIECES PER REEL.
- DATUMS AND BASIC DIMENSIONS TO BE ESTABLISHED BY CUSTOMER, SEE DRAWING 1367034 FOR LAYOUT WHEN USED WITH 1367034-1 BOTTOM CAGE (STANDARD SFP APPLICATION).



SCALE 8:1

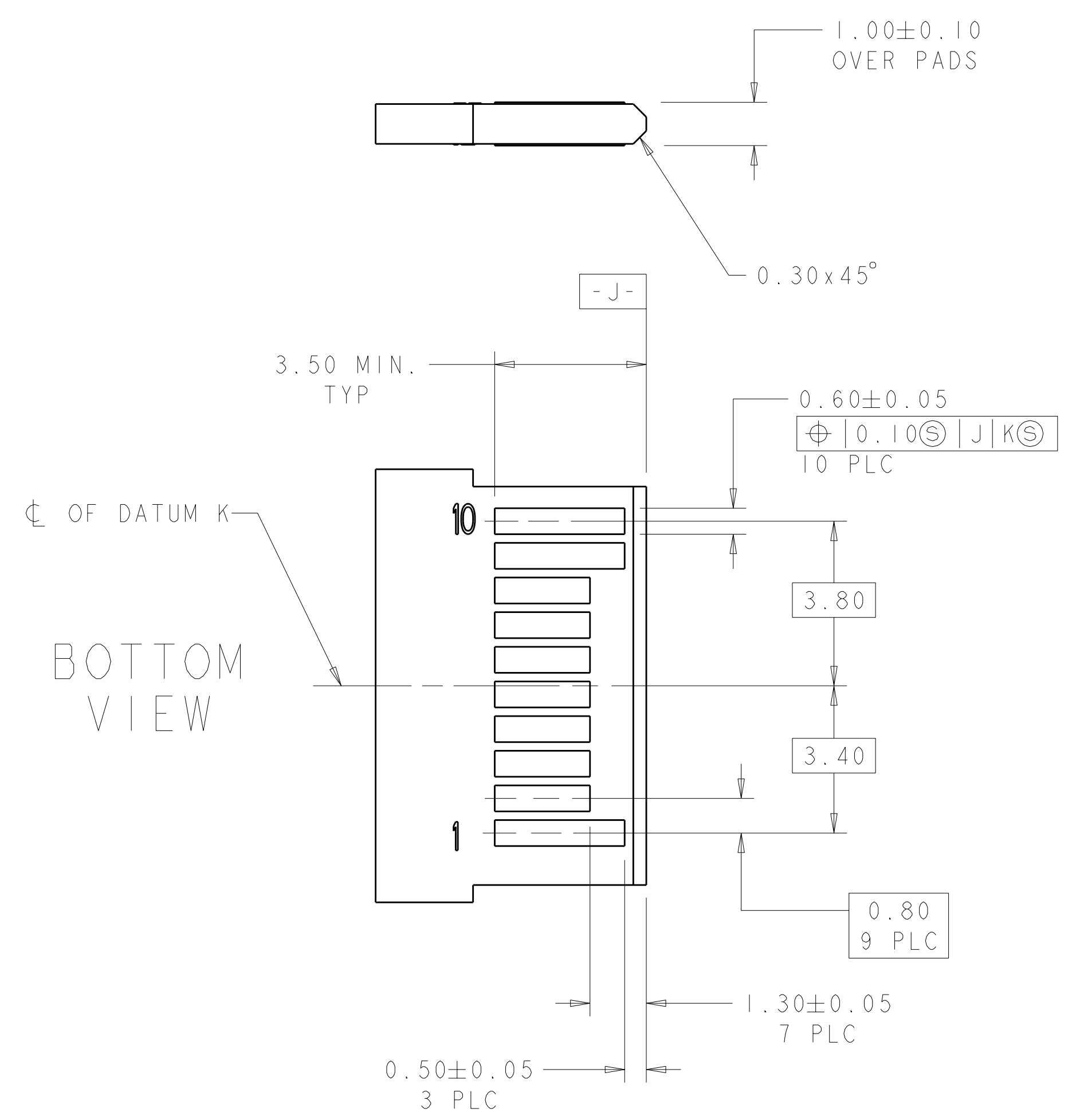
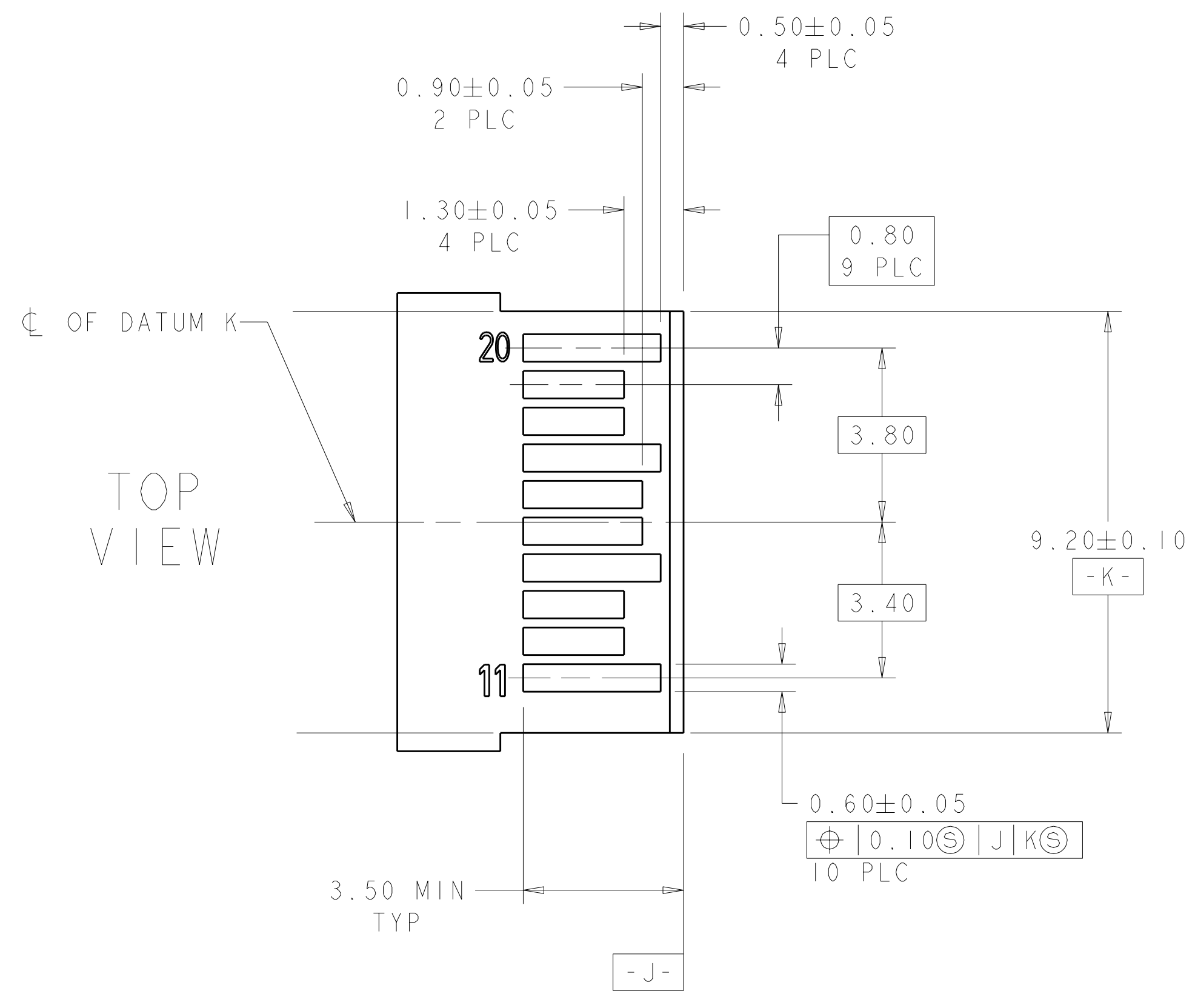


DETAIL H  
SCALE 25:1

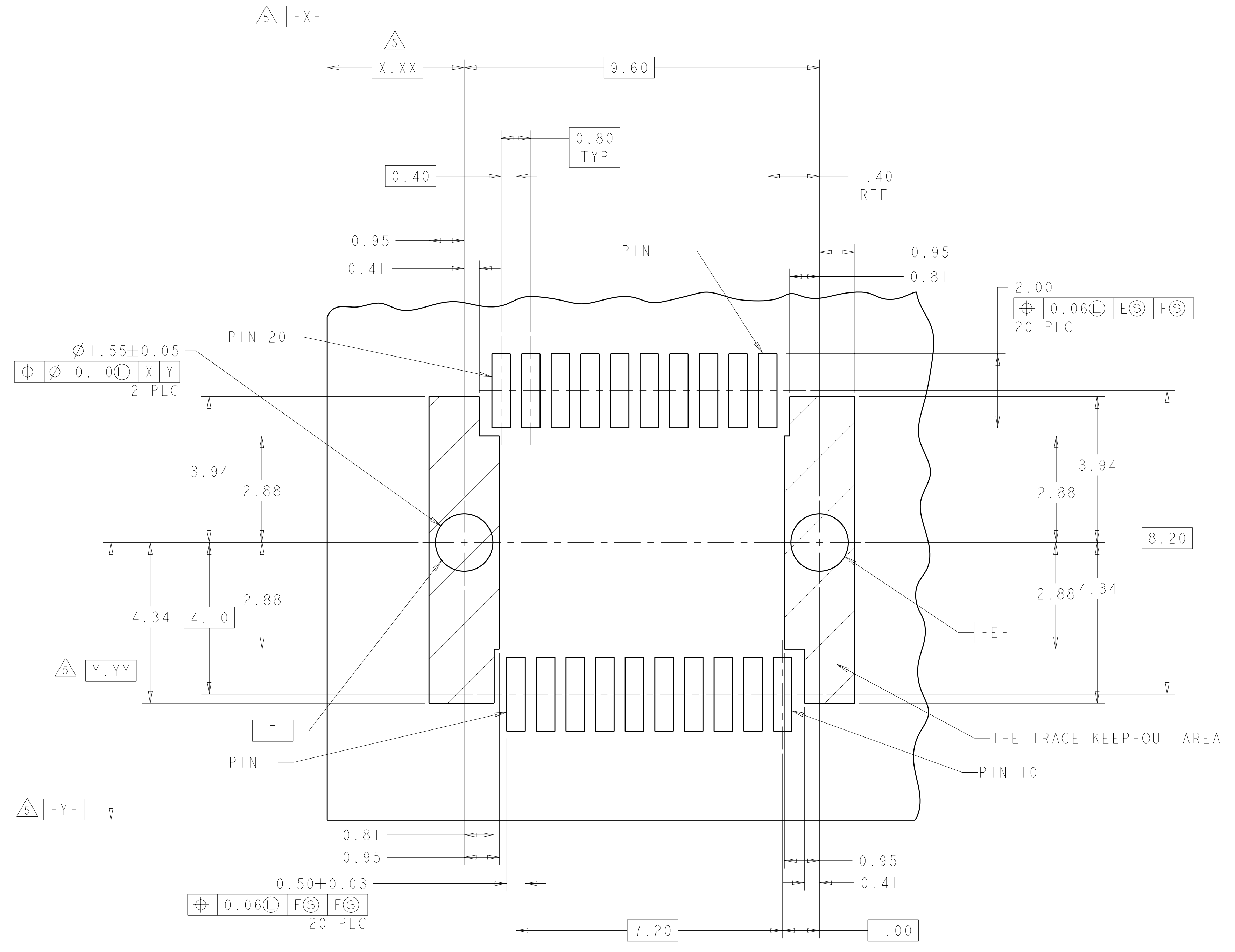
FINISH	1658197-1
PART NUMBER	

THIS DRAWING IS A CONTROLLED DOCUMENT.		OWN: J. GERACE 25NOV02	APVD: M. WALMSLEY 02SEP03		NAME: PT CONNECTOR ASSEMBLY, LUBED, 20 POSITION SFP, RIGHT ANGLE 0.8MM PITCH	
DIMENSIONS: mm		TOLERANCES UNLESS OTHERWISE SPECIFIED:	PRODUCT SPEC: 108-1949		SIZE: A100779 C=1658197	
MATERIAL: SEE TABLE		FINISH: SEE TABLE	APPLICATION SPEC: 114-13017		RESTRICTED TO: CUSTOMER DRAWING	
SCALE: 12:1		SHEET: 1 OF 2		REV: D1		

LOC	DIST	REV	DATE	BY	APPD
ES	00				
REVISIONS			DESCRIPTION	DATE	DWN
			SEE SHEET 1		



RECOMMENDED LAYOUT DETAIL  
 MATING TRANSCEIVER PCB  
 SCALE 10:1



RECOMMENDED PCB LAYOUT DETAIL  
 CONNCTOR MOUNTING SIDE  
 SCALE 14:1

THIS DRAWING IS A CONTROLLED DOCUMENT.		DWN: J. GERACE 25NOV02	<b>STE</b> TE Connectivity
DIMENSIONS: mm		CHK: J. KOPPENHEFFER 02SEP03	
TOLERANCES UNLESS OTHERWISE SPECIFIED:		APVD: M. WALMSLEY 02SEP03	NAME: PT CONNECTOR ASSEMBLY, LUBED, 20 POSITION SFP, RIGHT ANGLE 0.8MM PITCH
9 PLC ±		PRODUCT SPEC: 108-1949	SIZE: A100779
2 PLC ±0.10		APPLICATION SPEC: 114-13017	CAGE CODE: C=1658197
5 PLC ±		WEIGHT: -	RESTRICTED TO: -
4 PLC ±		CUSTOMER DRAWING	SCALE: 12:1 SHEET: 2 OF 2 REV: DL
ANGLES ±			
FINISH			

# Mouser Electronics

Authorized Distributor

Click to View Pricing, Inventory, Delivery & Lifecycle Information:

[TE Connectivity:](#)

[1658197-1](#)