

4

3

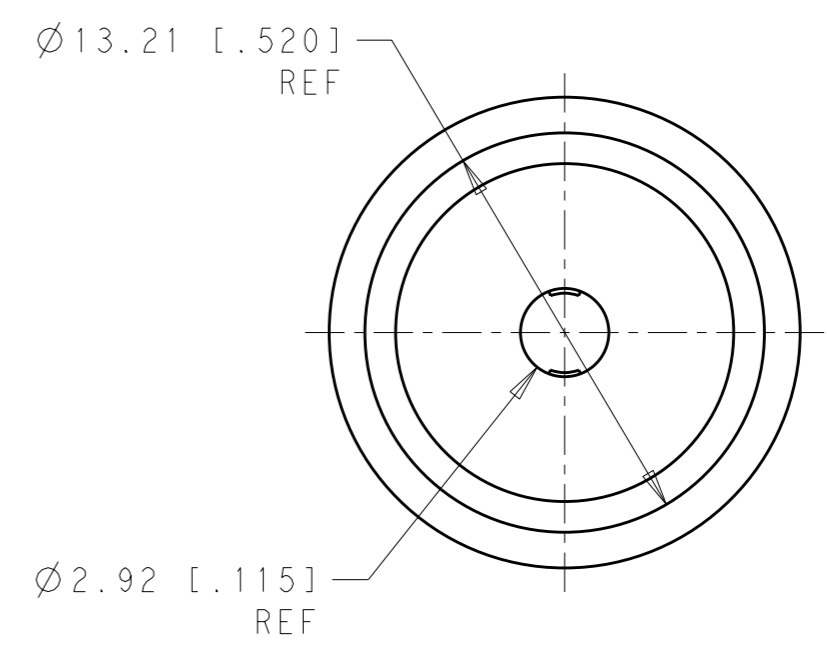
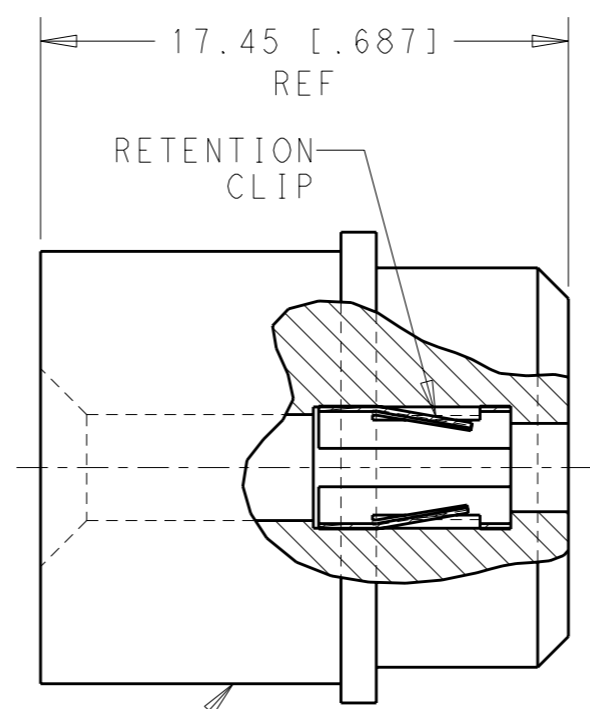
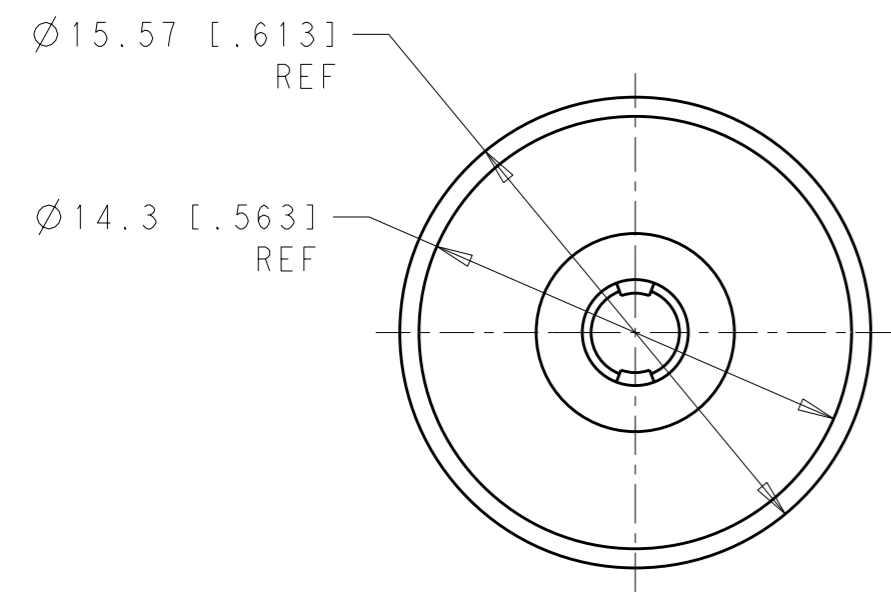
2

1

THIS DRAWING IS UNPUBLISHED. RELEASED FOR PUBLICATION 20


© COPYRIGHT 20 BY - ALL RIGHTS RESERVED.

LOC	DIST	REVISIONS			
P	LTR	DESCRIPTION	DATE	DWN	APVD
AD	00	A	INITIAL REV	06MAR2012	BC DO



1 SOCKET ADAPTER: ULTEM 1000.
RETENTION CLIP: STAINLESS STEEL.

1651813-1
PART NUMBER

THIS DRAWING IS A CONTROLLED DOCUMENT.		DWN B. CARBO	06MAR2012	 TE Connectivity	
DIMENSIONS: mm [INCHES]		CHK D. ORRIS	06MAR2012		
TOLERANCES UNLESS OTHERWISE SPECIFIED:		APVD D. ORRIS	06MAR2012	NAME SUBASSEMBLY, SIZE No.0 TO SIZE No.16 SOCKET ADAPTER WITH No.16 RETENTION CLIP PN 705-0075-01100	
0 PLC ±- 1 PLC ±- 2 PLC ±- 3 PLC ±- 4 PLC ±- ANGLES ±-		PRODUCT SPEC		SIZE CAGE CODE DRAWING NO RESTRICTED TO	
MATERIAL		APPLICATION SPEC		A300779 C-1651813	
FINISH		WEIGHT		SCALE 4:1 SHEET 1 OF 1 REV A	
1		CUSTOMER DRAWING			

Mouser Electronics

Authorized Distributor

Click to View Pricing, Inventory, Delivery & Lifecycle Information:

[TE Connectivity:](#)

[1651813-1](#)