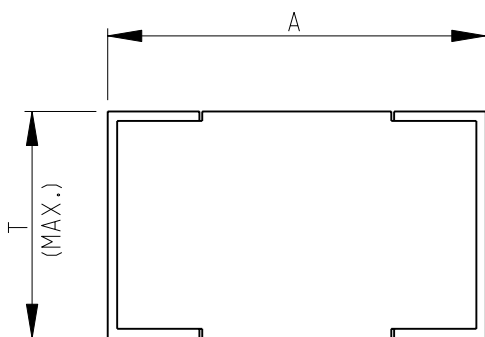
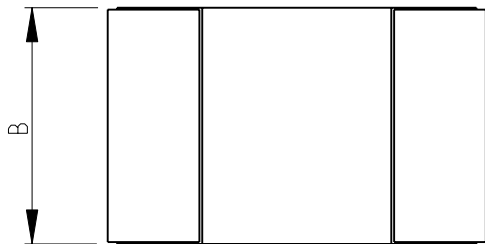
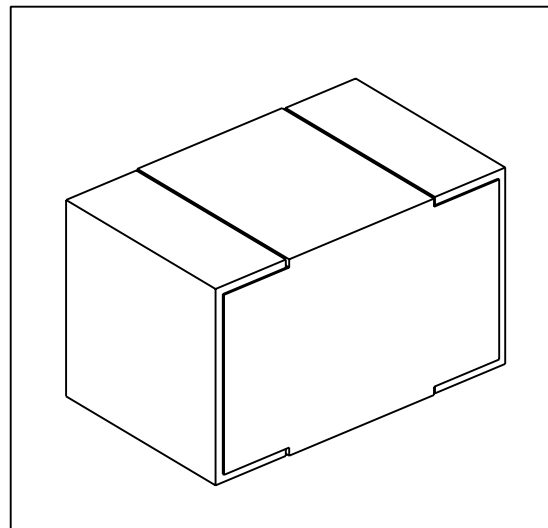


LOC	DIST	REVISIONS					
E	B	P	LTR	DESCRIPTION	DATE	DWN	APVD
			BA	NEW RELEASE	17-NOV-08	SM	St.P

FOR FURTHER INFORMATION SEE DATA SHEET FOR
8158 SERIES-THERMISTORS FOR SURFACE MOUNT



RoHS Compliant



8158-1206	3.2	1.6	1.2
8158-0805	2.0	1.25	1.2
CASE SIZE	A ±0.2	B ±0.2	T (MAX.)

2008

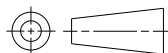
RELEASED FOR PUBLICATION

BY TYCO ELECTRONICS CORPORATION. ALL RIGHTS RESERVED.

THIS DRAWING IS UNPUBLISHED.

© COPYRIGHT 2008

DIMENSIONS: mm	DWN	17-NOV-08	MATERIAL	FINISH				
	SUBHASH.M		-	-				
TOLERANCES UNLESS OTHERWISE SPECIFIED:	CHK	17-NOV-08	Tyco Electronics Corporation Dorcan, Swindon, SN3 5HH					
	PRAKASH.S							
0 PLC ±0.2	APVD	17-NOV-08	NAME THERMISTORS FOR SURFACE MOUNT SERIES 8158					
1 PLC ±0.1	STEPHEN.P							
2 PLC ±-	PRODUCT SPEC	-	SIZE	CAGE CODE	DRAWING NO	RESTRICTED TO		
3 PLC ±-	APPLICATION SPEC	-	A 4	00779	©- 1624328	-		
4 PLC ±-	WEIGHT	-	CUSTOMER DRAWING		SCALE	SHEET	OF	REV
ANGLES ±5°					25:1	1	1	BA



Mouser Electronics

Authorized Distributor

Click to View Pricing, Inventory, Delivery & Lifecycle Information:

[TE Connectivity:](#)

[81582A103J375E](#)