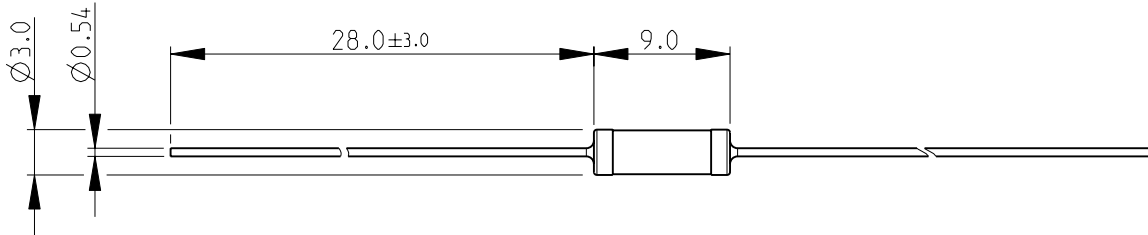
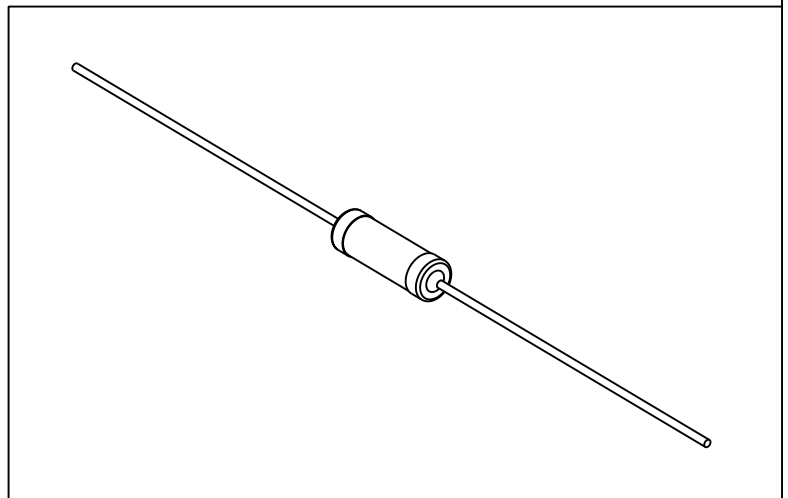


LOC	DIST	REVISIONS			
P	LTR	DESCRIPTION	DATE	DWN	APVD
E	B	BA1	REVISED PER ECO-11-005150	29MAR2011	RK HMR

FOR FURTHER INFORMATION SEE DATA SHEET FOR
CFR SERIES-CARBON FILM FIXED RESISTORS



RoHS Compliant



2008


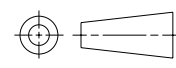
RELEASED FOR PUBLICATION

THIS DRAWING IS UNPUBLISHED.

ALL RIGHTS RESERVED.

BY -

© COPYRIGHT 2008

DIMENSIONS: mm	DWN	20-Sep-08	MATERIAL	-	FINISH	-	
	SUBHASH.M						
TOLERANCES UNLESS OTHERWISE SPECIFIED:	CHK	20-Sep-08	 TE Connectivity				
	PRAKASH.S						
0 PLC ±0.2 1 PLC ±0.1 2 PLC ± 3 PLC ± 4 PLC ± ANGLES ±5°	APVD	20-Sep-08	NAME CARBON FILM FIXED RESISTORS SERIES CFR50				
	STEPHEN.P						
	PRODUCT SPEC	-	SIZE	A 4	CAGE CODE	00779	
	APPLICATION SPEC	-	DRAWING NO	C= 1623932		RESTRICTED TO	-
WEIGHT -			SCALE		2:1	SHEET 1 OF 1	REV BA1
CUSTOMER DRAWING							

Mouser Electronics

Authorized Distributor

Click to View Pricing, Inventory, Delivery & Lifecycle Information:

[TE Connectivity:](#)

[CFR50J100R](#)