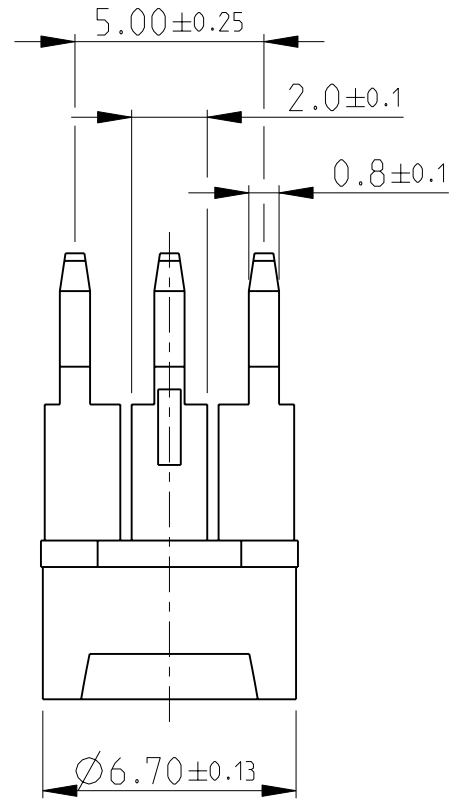
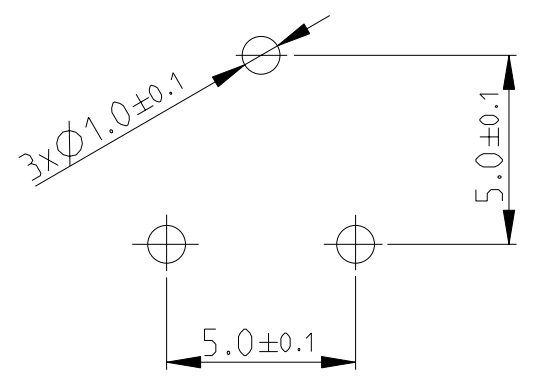


THIS DRAWING IS UNPUBLISHED. RELEASED FOR PUBLICATION 2008  
 © COPYRIGHT 2008 BY TYCO ELECTRONICS CORPORATION. ALL RIGHTS RESERVED.

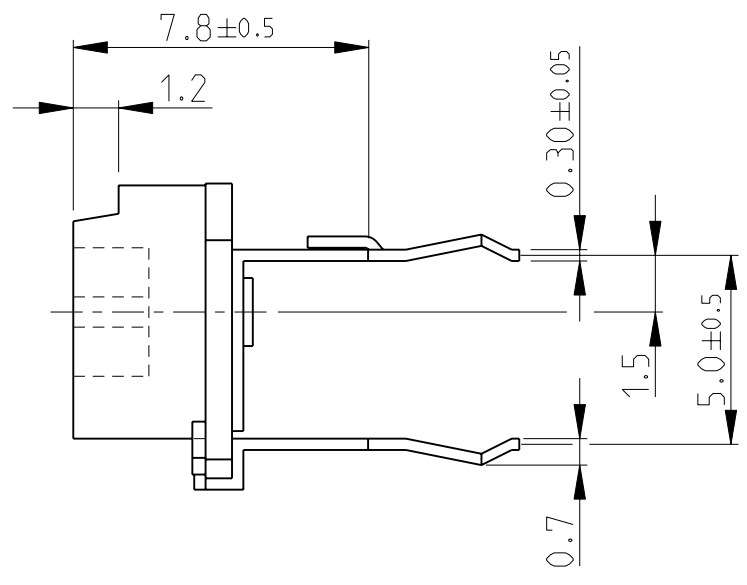
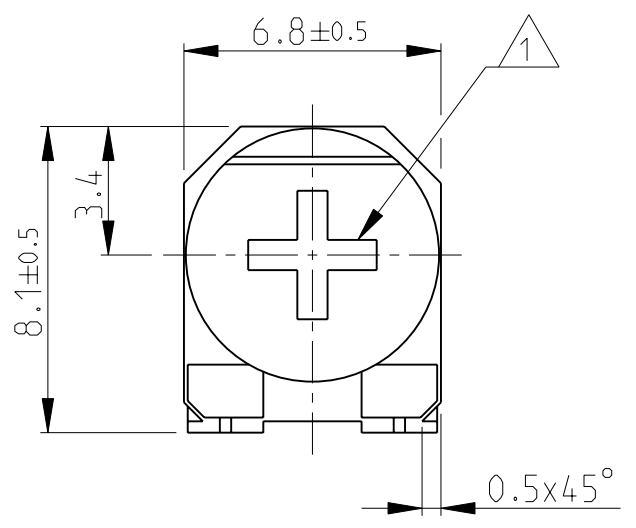
LOC	DIST	REVISIONS			
P	LTR	DESCRIPTION	DATE	DWN	APVD
E	B	BA	NEW RELEASE	27-NOV-08	SM St.P



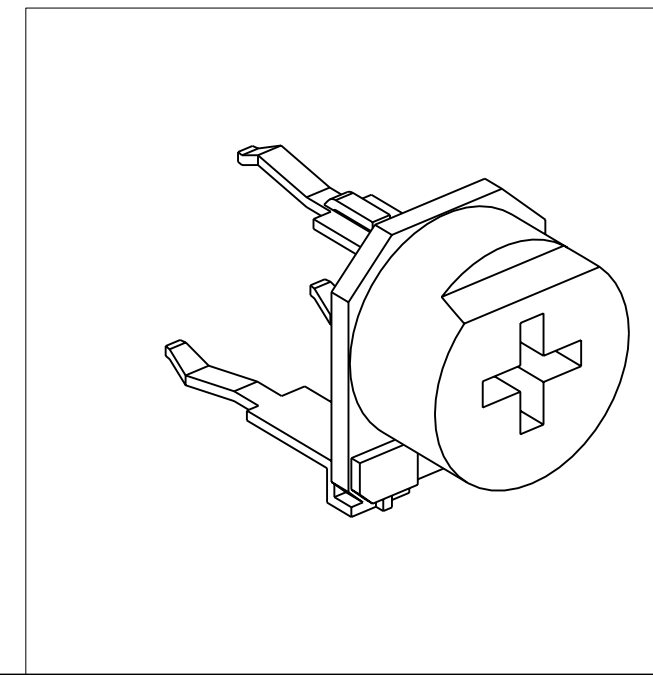
PCB LAYOUT PLAN



1 ADJUSTMENT HEAD: CROSS SLOT- 0.8x3.4, Depth-2  
 2 FOR FURTHER INFORMATION SEE DATA SHEET FOR 416 SERIES-ECONOMY TRIMMERS



RoHS Compliant



<small>THIS DRAWING IS A CONTROLLED DOCUMENT FOR TYCO ELECTRONICS CORPORATION IT IS SUBJECT TO CHANGE AND THE CONTROLLING ENGINEERING ORGANIZATION SHOULD BE CONTACTED FOR THE LATEST REVISION.</small>		DWN	SUBHASH.M	27-NOV-08	Tyco Electronics Corporation Dorcan, Swindon, SN3 5HH
DIMENSIONS: mm 		CHK	PRAKASH.S	27-NOV-08	
TOLERANCES UNLESS OTHERWISE SPECIFIED: 0 PLC ±0.2 1 PLC ±0.1 2 PLC ± 3 PLC ± 4 PLC ± ANGLES ±5°		APVD	STEPHEN.P	27-NOV-08	
MATERIAL -		PRODUCT SPEC -		NAME ECONOMY TRIMMERS SERIES 416M	
FINISH -		APPLICATION SPEC -		SIZE	A3
		WEIGHT -		CAGE CODE	00779
		CUSTOMER DRAWING		DRAWING NO	C=1623893
				RESTRICTED TO	-
				SCALE	5:1
				SHEET	1 OF 1
				REV	BA

# Mouser Electronics

Authorized Distributor

Click to View Pricing, Inventory, Delivery & Lifecycle Information:

[TE Connectivity:](#)

[406MA202P](#)