

4

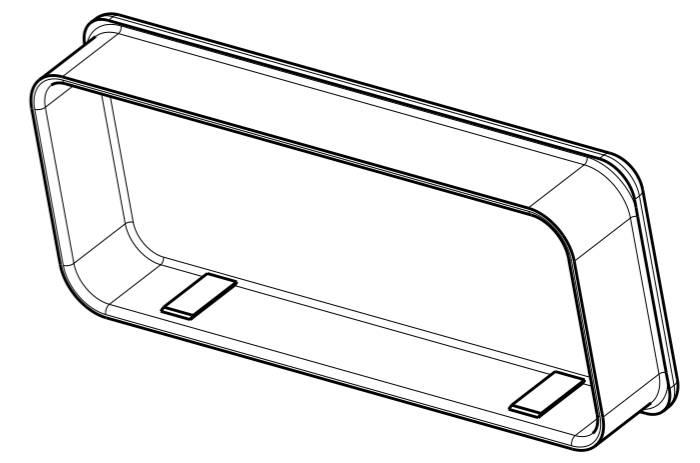
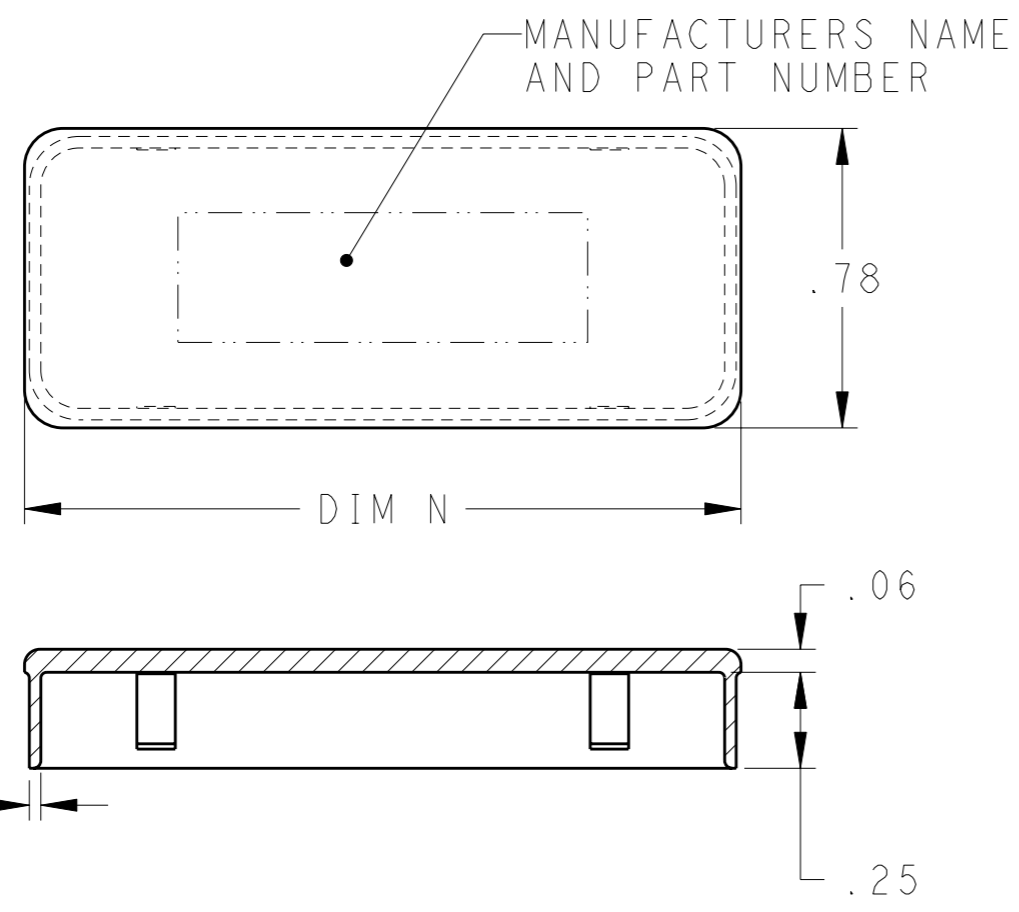
3

2

1

THIS DRAWING IS UNPUBLISHED. RELEASED FOR PUBLICATION  
 © COPYRIGHT - BY TYCO ELECTRONICS CORPORATION. ALL RIGHTS RESERVED.

LOC	DIST	REVISIONS			
P	LTR	DESCRIPTION	DATE	DWN	APVD
-	-	A	RELEASED	1-5-09	CT DM



1.86	6 POSN	1604997-3
1.31	2 POSN	1604997-2
2.96	12 POSN	1604997-1
DIM N	USED ON	PART NUMBER

.03  
ALL AROUND

1 MATL: CONDUCTIVE THERMOPLASTIC

<small>THIS DRAWING IS A CONTROLLED DOCUMENT FOR TYCO ELECTRONICS CORPORATION IT IS SUBJECT TO CHANGE AND THE CONTROLLING ENGINEERING ORGANIZATION SHOULD BE CONTACTED FOR THE LATEST REVISION.</small>		DWN C.C. THOMAS 1-5-09 CHK D. MILLER 05JAN2010 APVD D. MILLER 05JAN2010	Tyco Electronics Harrisburg, PA 17105-3608
DIMENSIONS: INCHES 	TOLERANCES UNLESS OTHERWISE SPECIFIED: 0 PLC ±. 1 PLC ±.1 2 PLC ±.01 3 PLC ±.005 4 PLC ±.0020 ANGLES ±1	PRODUCT SPEC - APPLICATION SPEC - WEIGHT -	NAME COVER, DUST, ESD, PLUG, QUADRAX RECTANGULAR SIZE A3 CAGE CODE 00779 DRAWING NO C-1604997 RESTRICTED TO -
MATERIAL 1 	FINISH -	CUSTOMER DRAWING	SCALE 2:1 SHEET 1 OF 1 REV A

# Mouser Electronics

Authorized Distributor

Click to View Pricing, Inventory, Delivery & Lifecycle Information:

[TE Connectivity:](#)

[1604997-1](#)