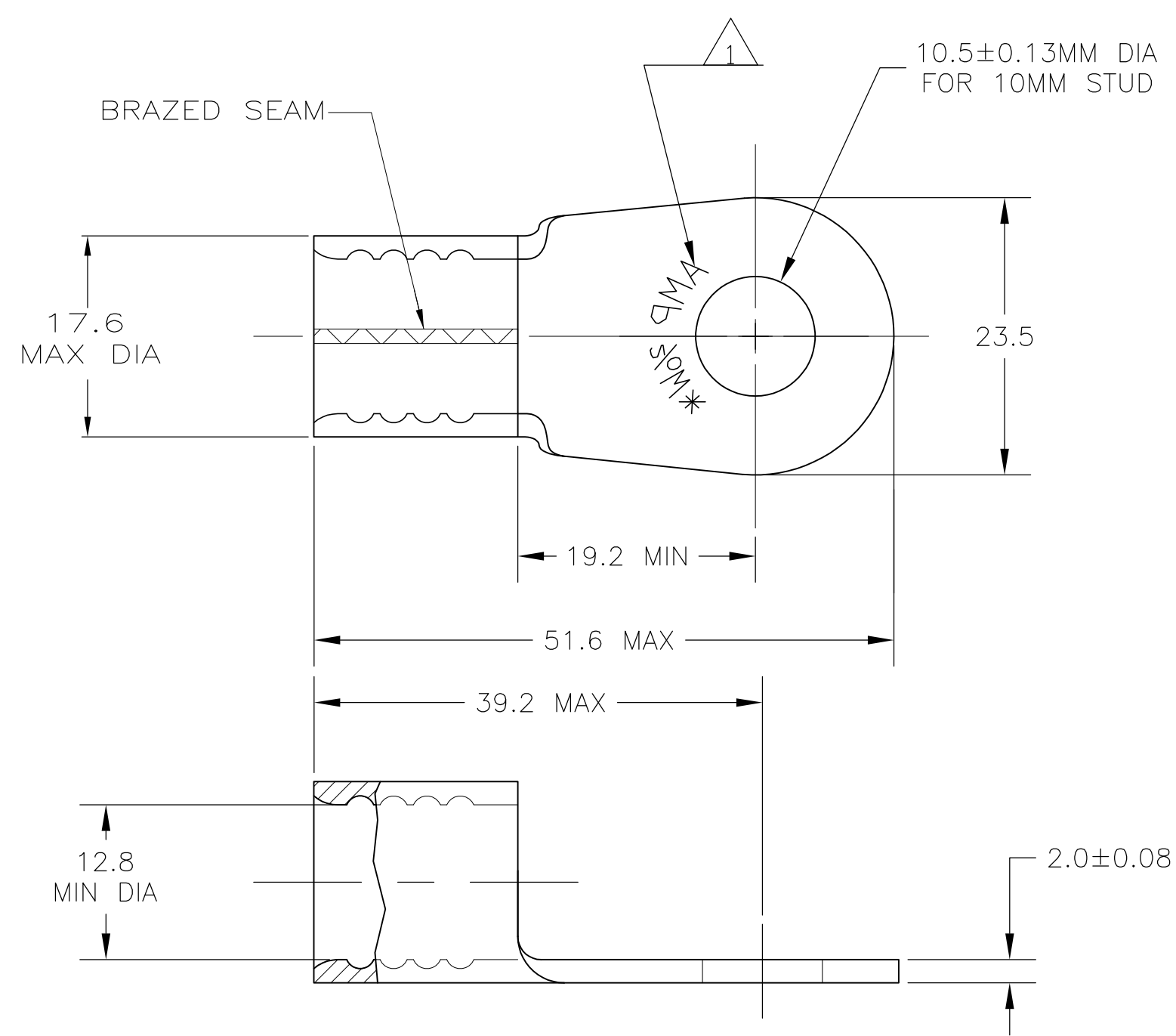


THIS DRAWING IS UNPUBLISHED. RELEASED FOR PUBLICATION  
 © COPYRIGHT - BY TYCO ELECTRONICS CORPORATION. ALL RIGHTS RESERVED.

LOC	DIST	REVISIONS					
G	05	P	LTR	DESCRIPTION	DATE	DWN	APVD
		E		REV PER ECR-10-000722	22JAN10	JR	TM



**AMP**  
WIRE RANGE

2/0 AWG  
SOLID OR STRANDED

- 1 STAMP "AMP 2/0W\*", LOCATED APPROX AS SHOWN
- 2 MAX OPERATION TEMPERATURE IS 170°C MAX
- 3 WIRE CROSS SECTIONAL AREA IS 60.6-76.3mm<sup>2</sup> [119,500-150,000] CMA.
- 4 COPPER PER ASTM B-152, ANNEALED
- 5 TIN PLATE 0.00254 [.000100] MIN THK EXT PER ASTM B-545

50	LOOSE PIECE	160001
QTY	PACKAGE TYPE	PART NO.

THIS DRAWING IS A CONTROLLED DOCUMENT.		DWN	JR RUTH	13JUN05	Tyco Electronics Corporation Harrisburg, Pa 17105-3608			
DIMENSIONS: INCHES		CHK	T MICHIELUTTI	13JUN05				
TOLERANCES UNLESS OTHERWISE SPECIFIED:		APVD	T MICHIELUTTI	13JUN05				
0 PLC ± - 1 PLC ± 0.2 2 PLC ± - 3 PLC ± - 4 PLC ± - ANGLES ± -		PRODUCT SPEC		NAME		TERMINAL, RING TONGUE, SOLISTRAND		
MATERIAL - 4		FINISH 5		APPLICATION SPEC	RESTRICTED TO			
		WEIGHT	-		SIZE	A3		
		CUSTOMER DRAWING		CAGE CODE	00779	DRAWING NO	G-160001	
		SCALE		2:1	SHEET	1 OF 1	REV	E

# Mouser Electronics

Authorized Distributor

Click to View Pricing, Inventory, Delivery & Lifecycle Information:

[TE Connectivity:](#)

[160001](#)