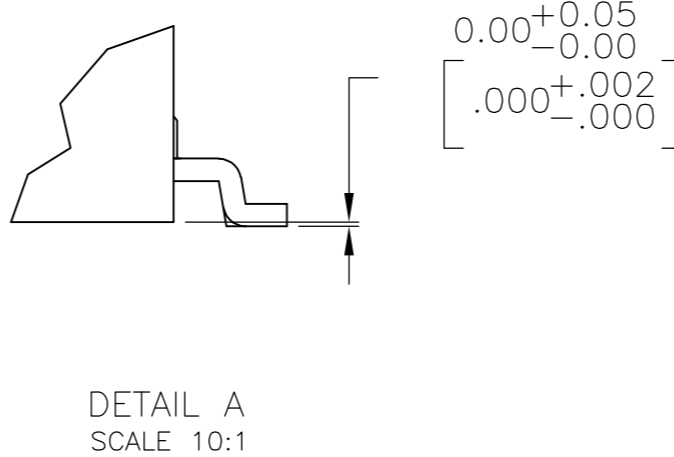
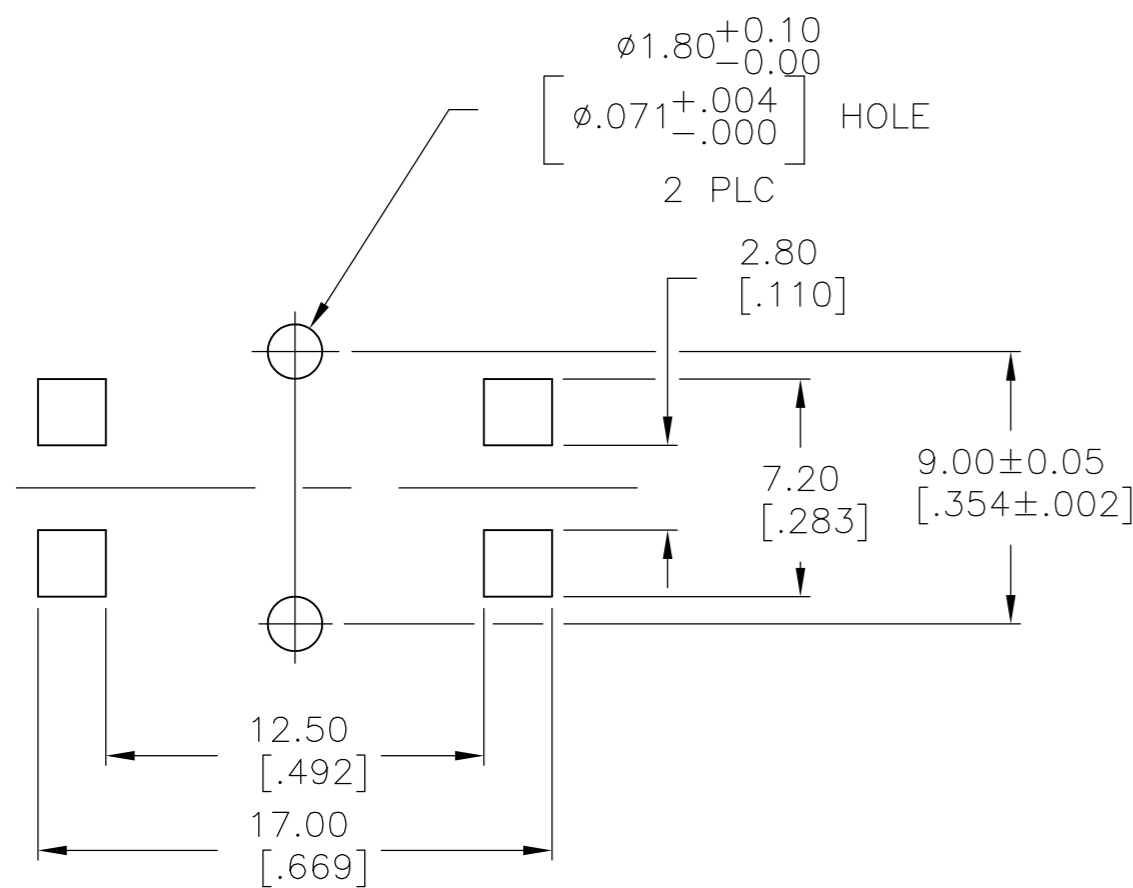
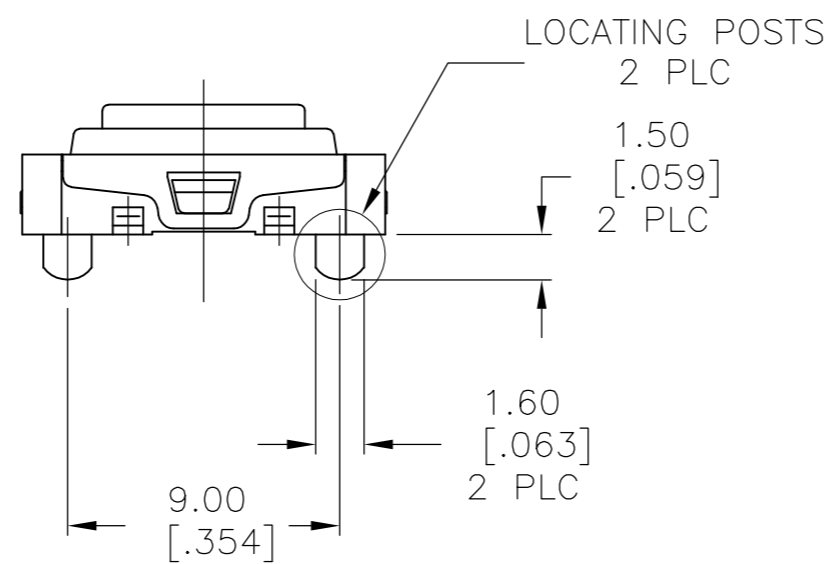
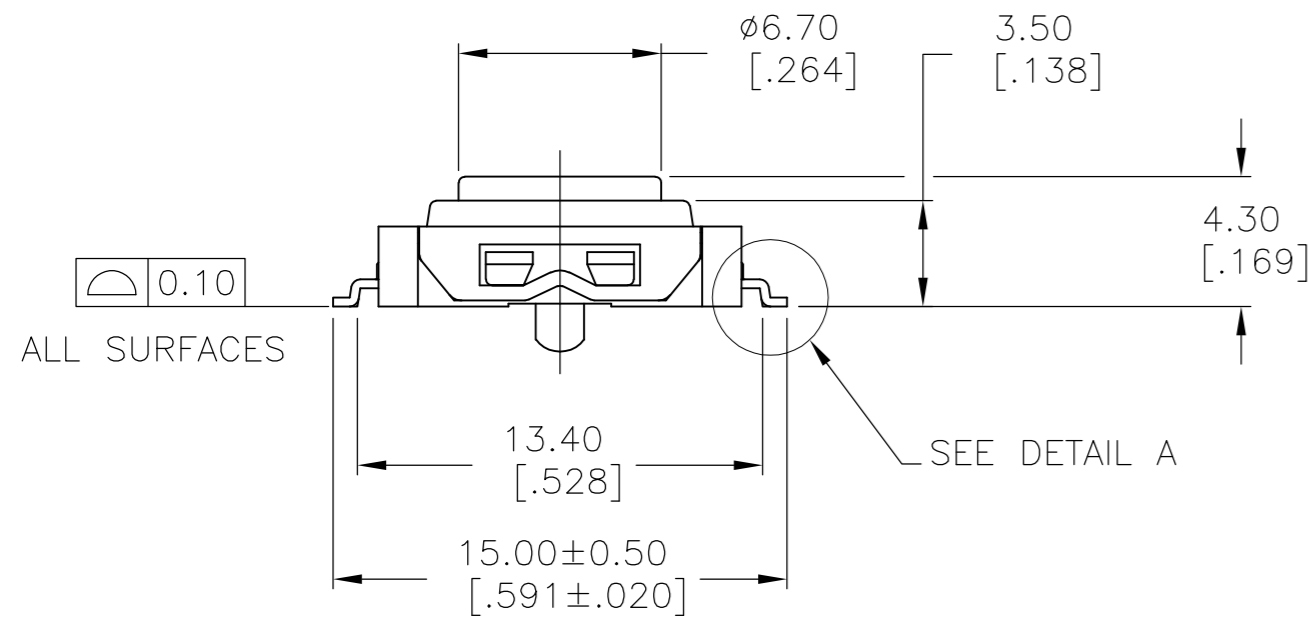
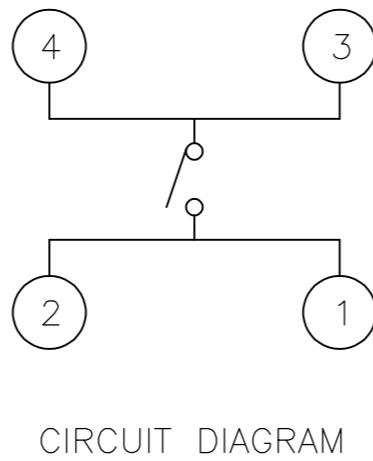
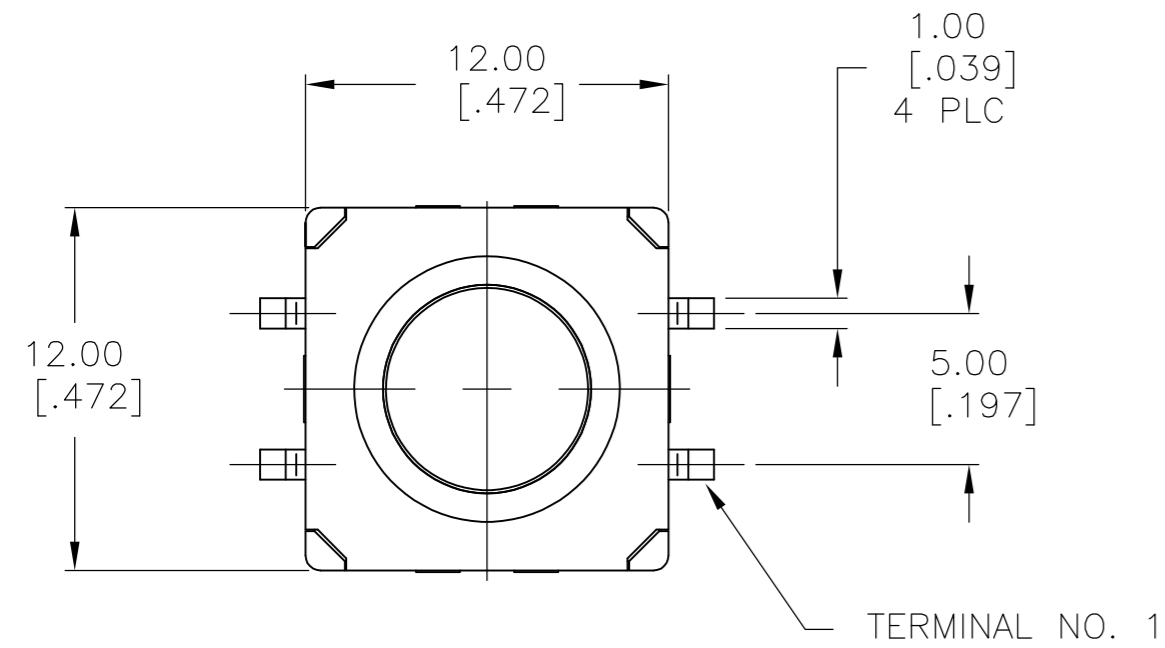


THIS DRAWING IS UNPUBLISHED. RELEASED FOR PUBLICATION 1571218, 1571218  
 © COPYRIGHT 1571218y - ALL RIGHTS RESERVED.



SPECIFICATIONS

MATERIALS

CASE: THERMOPLASTIC, UL94V-0, BLACK  
 ACTUATOR: THERMOPLASTIC, UL94V-0, FINISH: SEE P/N TABLE  
 COVER: STAINLESS STEEL  
 SEAL: SILICON RUBBER, BLACK  
 CONTACT: STAINLESS STEEL, PLATED-SILVER  
 TERMINAL: BRASS, PLATED-SILVER/NICKEL

ELECTRICAL

MAX CONTACT RATING: 50MILLIAMPS@24V DC  
 MIN CONTACT RATING: 10MICROAMPS@1V DC  
 INITIAL CONTACT RESISTANCE: 100 MILLIOHMS MAX, PER EIA RS-448, METHOD 1  
 INSULATION RESISTANCE: 100 MEGOHMS MIN @ 100VDC PER EIA RS-186-13E  
 DIELECTRIC STRENGTH: 500VAC PER EIA RS-186-4E  
 CONTACT BOUNCE: 10 MILLISECOND MAX PER EIA-448-18, METHOD 15

MECHANICAL

ACTUATOR OPERATING FORCE: SEE TABLE  
 ACTUATOR TRAVEL: 0.35±0.2mm [.014±.008]

DURABILITY

UP TO 1,000,000 CYCLES, AT RATED LOAD PER EIA-RS-448, METHOD 8  
 FINAL CONTACT RESISTANCE: 200 MILLIOHMS MAX  
 CONTACT BOUNCE: 20 MILLISECONDS MAX  
 ACTUATOR FORCE: WITHIN ±30% OF INITIAL VALUE

ENVIRONMENTAL

OPERATING TEMPERATURE RANGE: -35°C to +85°C  
 STORAGE TEMPERATURE RANGE: -35°C to +85°C  
 HUMIDITY: 96 HOURS PER EIA-186-1E  
 DRY HEAT TEST: 85°C FOR 96 HOURS PER IEC 60068-2-2, TEST B,  
 NO CHANGE IN INITIAL ELECTRICAL AND MECHANICAL CHARACTERISTICS  
 COLD TEST: -35°C FOR 96 HOURS PER IEC 60068-2-1, TEST A;  
 NO CHANGE IN INITIAL ELECTRICAL AND MECHANICAL CHARACTERISTICS  
 THERMAL CYCLING: 5 CYCLES, -35°C to +85°C  
 HUMIDITY-TEMPERATURE CYCLING, EIA 364-31B, METHOD III CONTACT RESISTANCE 100 MILLIOHMS MAX  
 RESISTANCE TO SOLDERING HEAT PER 109-201, COND B

SOLDERABILITY: PER EIA 364-52, CLASS 1 CAT 2  
 SEALING PER IP67

1 PARTS TO BE PACKAGED ON TAPE AND REEL PER EIA-481

2 ALL MATERIALS AND FINISHES SHALL COMPLY WITH EU DIRECTIVE 2002/95/EC OF 27JAN2003 (ROHS)

1	T&R	RED	260±50gf	WITHOUT LOCATING POSTS	1571218-6
	BULK	RED	260±50gf	WITHOUT LOCATING POSTS	1571218-5
1	T&R	BLACK	160±50gf	WITH LOCATING POSTS	1571218-4
1	T&R	BLACK	160±50gf	WITHOUT LOCATING POSTS	1571218-3
	BULK	BLACK	160±50gf	WITH LOCATING POSTS	1571218-2
	BULK	BLACK	160±50gf	WITHOUT LOCATING POSTS	1571218-1
	PACKAGING	ACTUATOR COLOR	OPERATING FORCE	REMARKS	TE PART NUMBER

THIS DRAWING IS A CONTROLLED DOCUMENT.		DWN R BROWN 16JAN02	TE Connectivity		
DIMENSIONS: mm [INCHES]		CHK H WYNKOOP 16JAN02	NAME		
TOLERANCES UNLESS OTHERWISE SPECIFIED:		APVD H WYNKOOP 16JAN02	PRODUCT SPEC		
0 PLC ± -		APPLICATION SPEC			
1 PLC ± -		WEIGHT			
2 PLC ± 0.30[.012]		SCALE			
3 PLC ± -		SHEET			
4 PLC ± -		REV			
ANGLES ± -		CUSTOMER DRAWING			
FINISH		SCALE 4:1 SHEET 1 OF 1 REV K1			

SOLDER PAD DIMENSION

# Mouser Electronics

Authorized Distributor

Click to View Pricing, Inventory, Delivery & Lifecycle Information:

[TE Connectivity:](#)

[1571218-1](#) [1571218-2](#) [1571218-4](#)