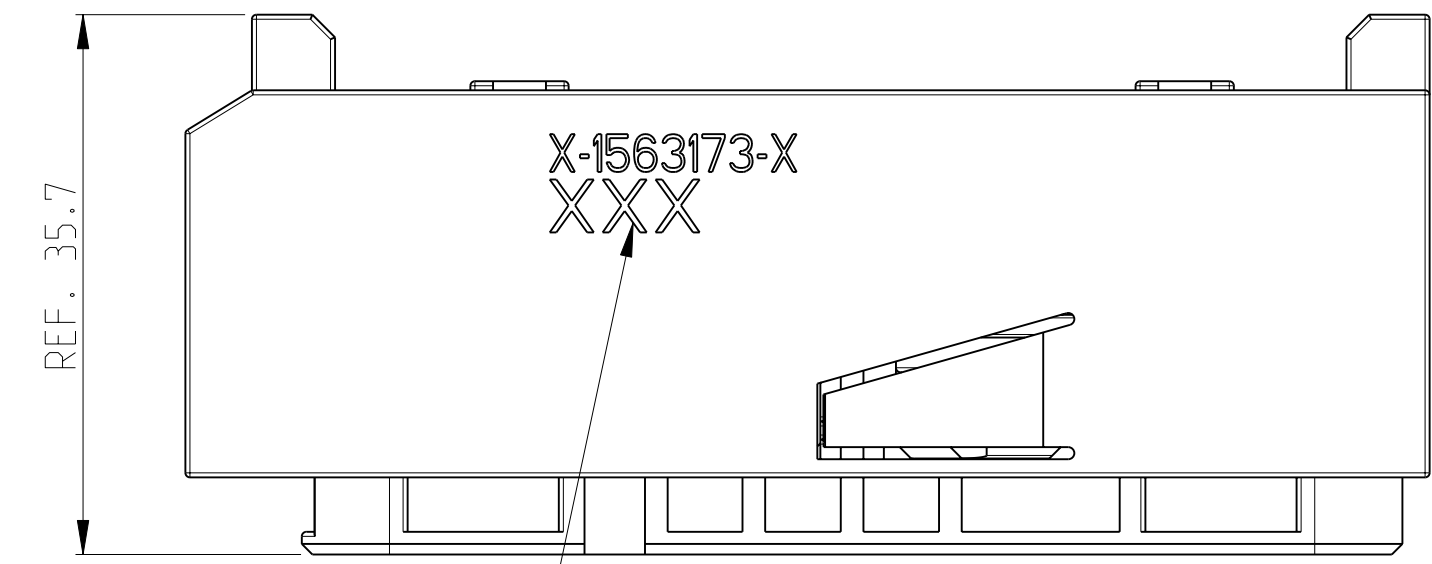
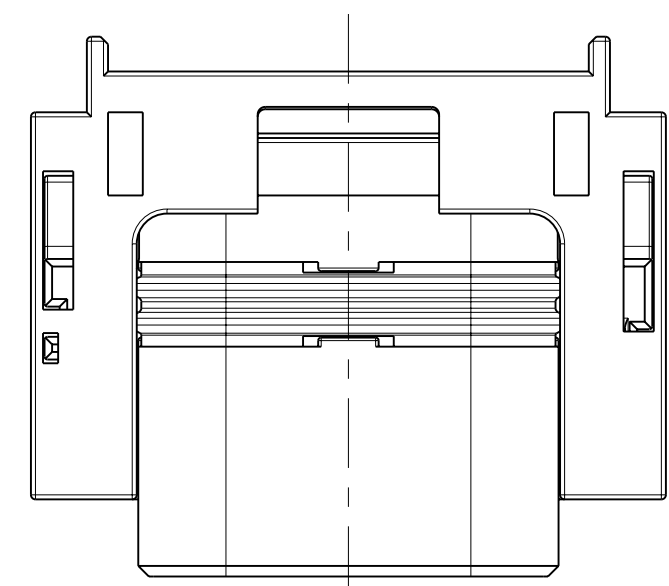
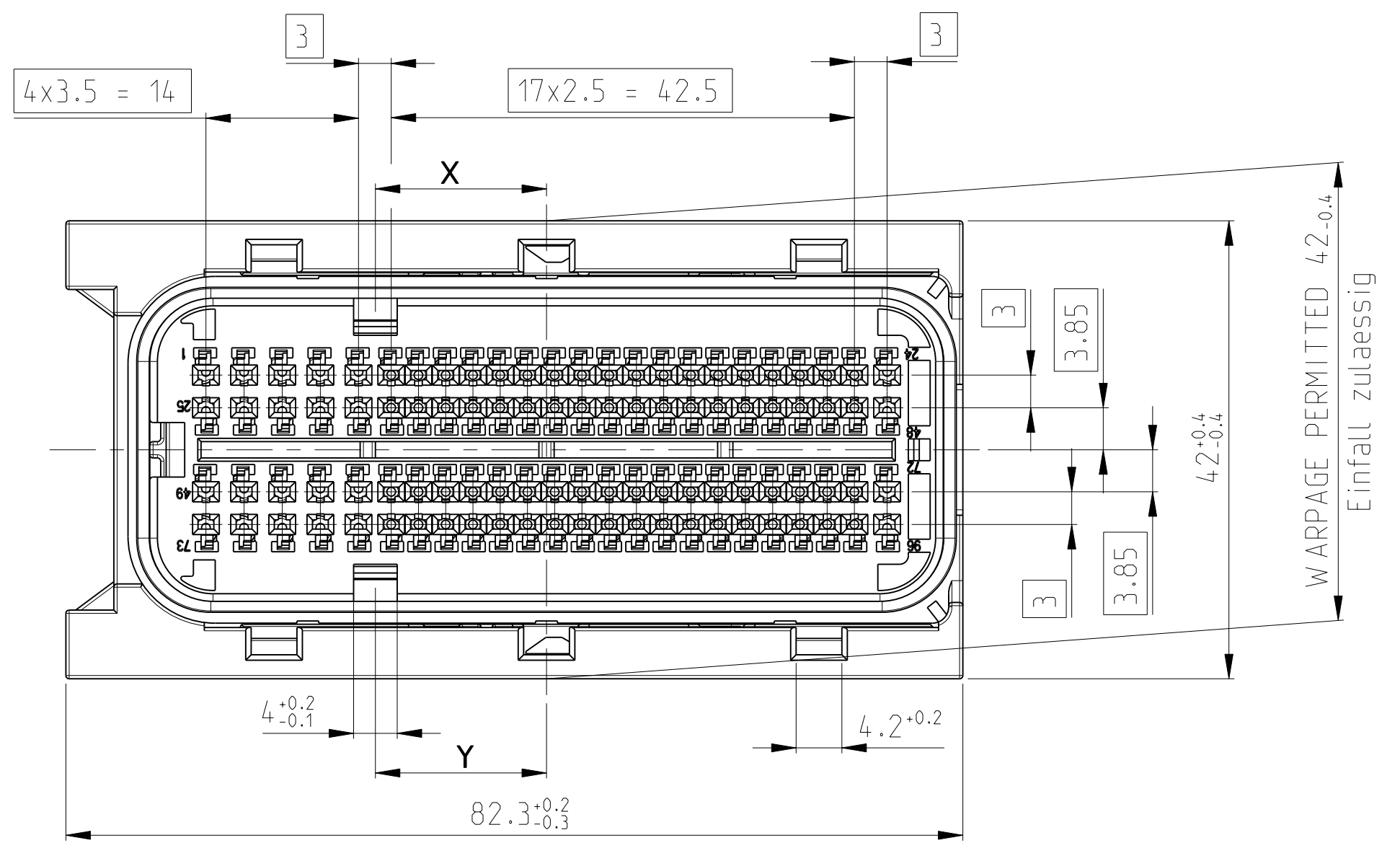
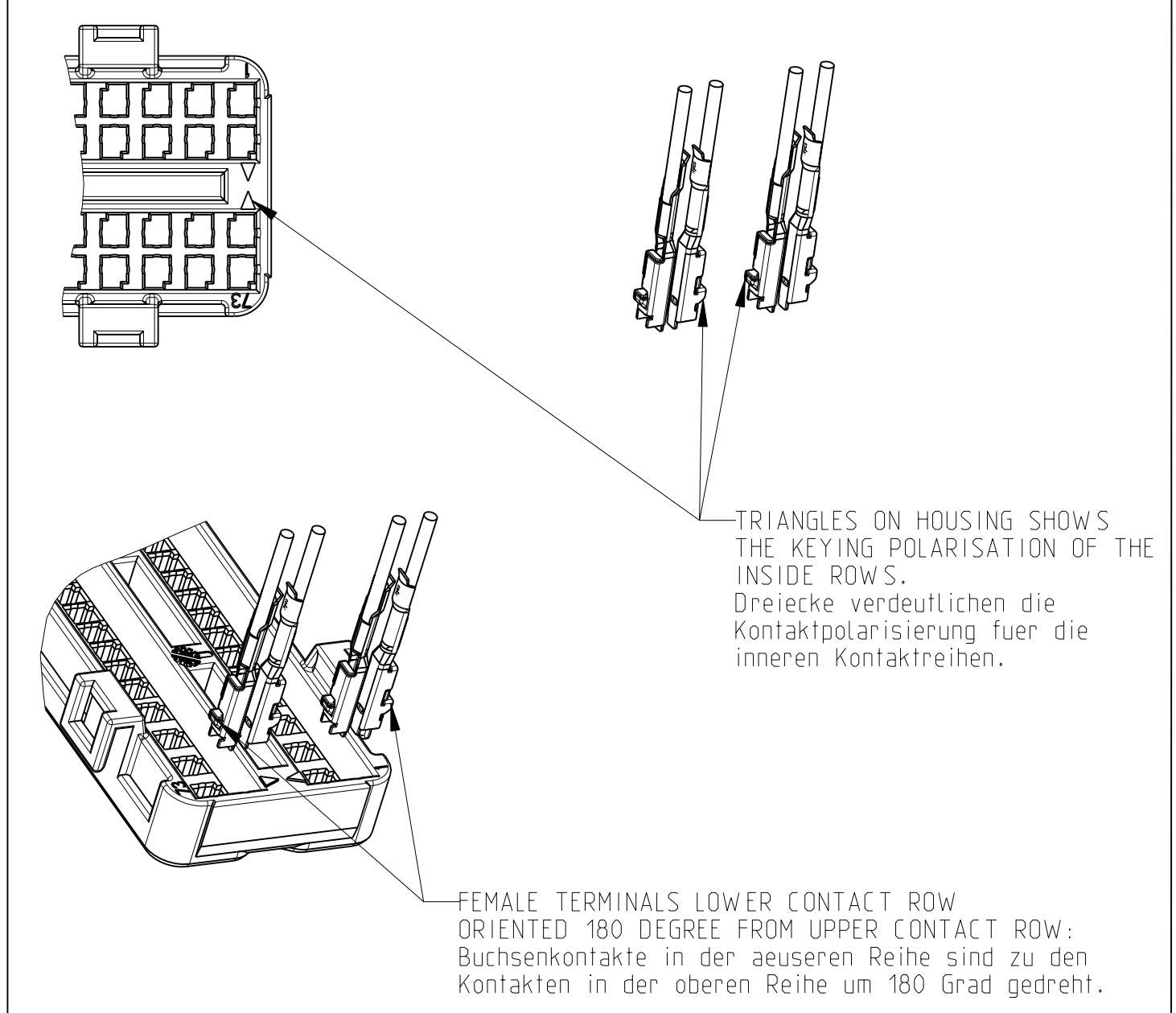
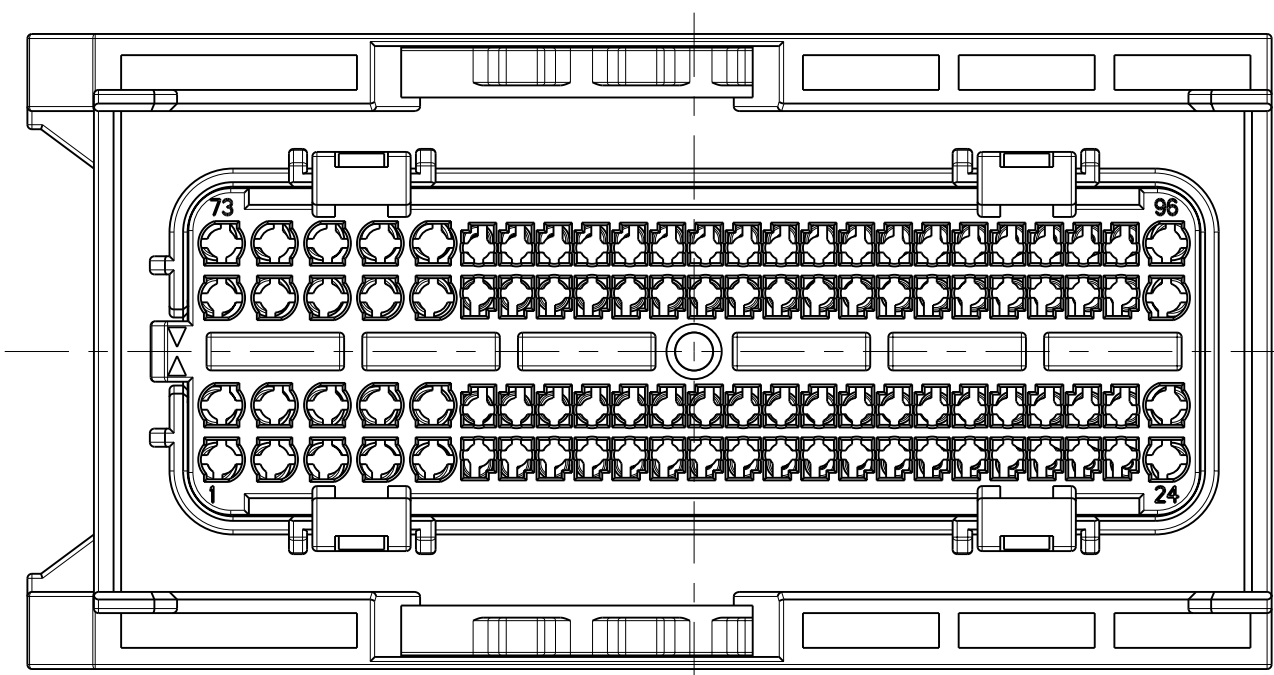


CODE	DIM "X"	DIM "Y"
A	15.7	15.7



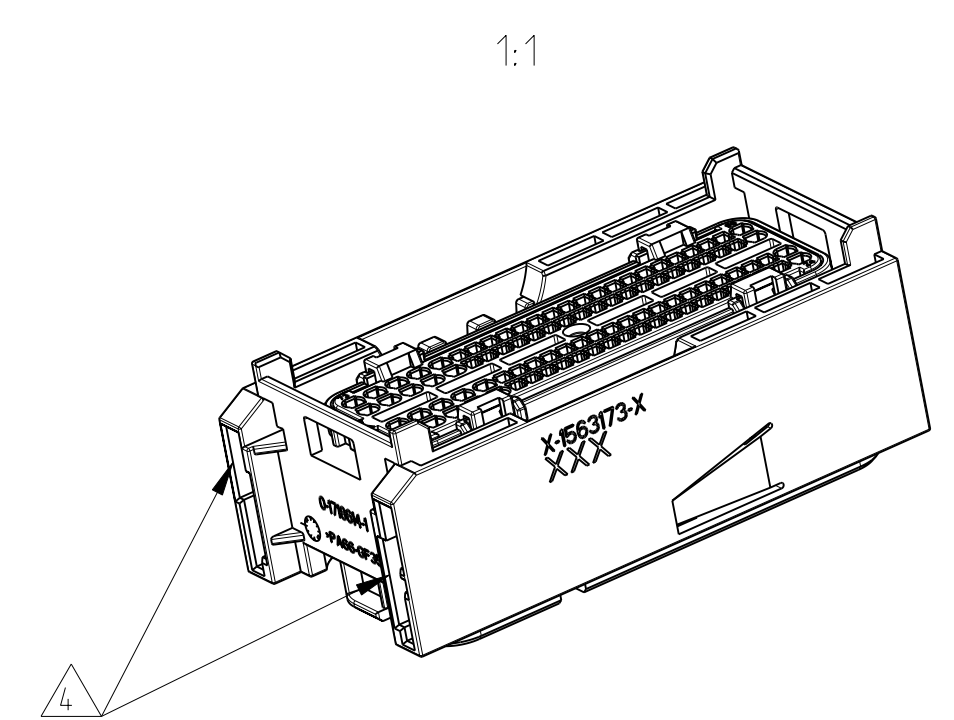
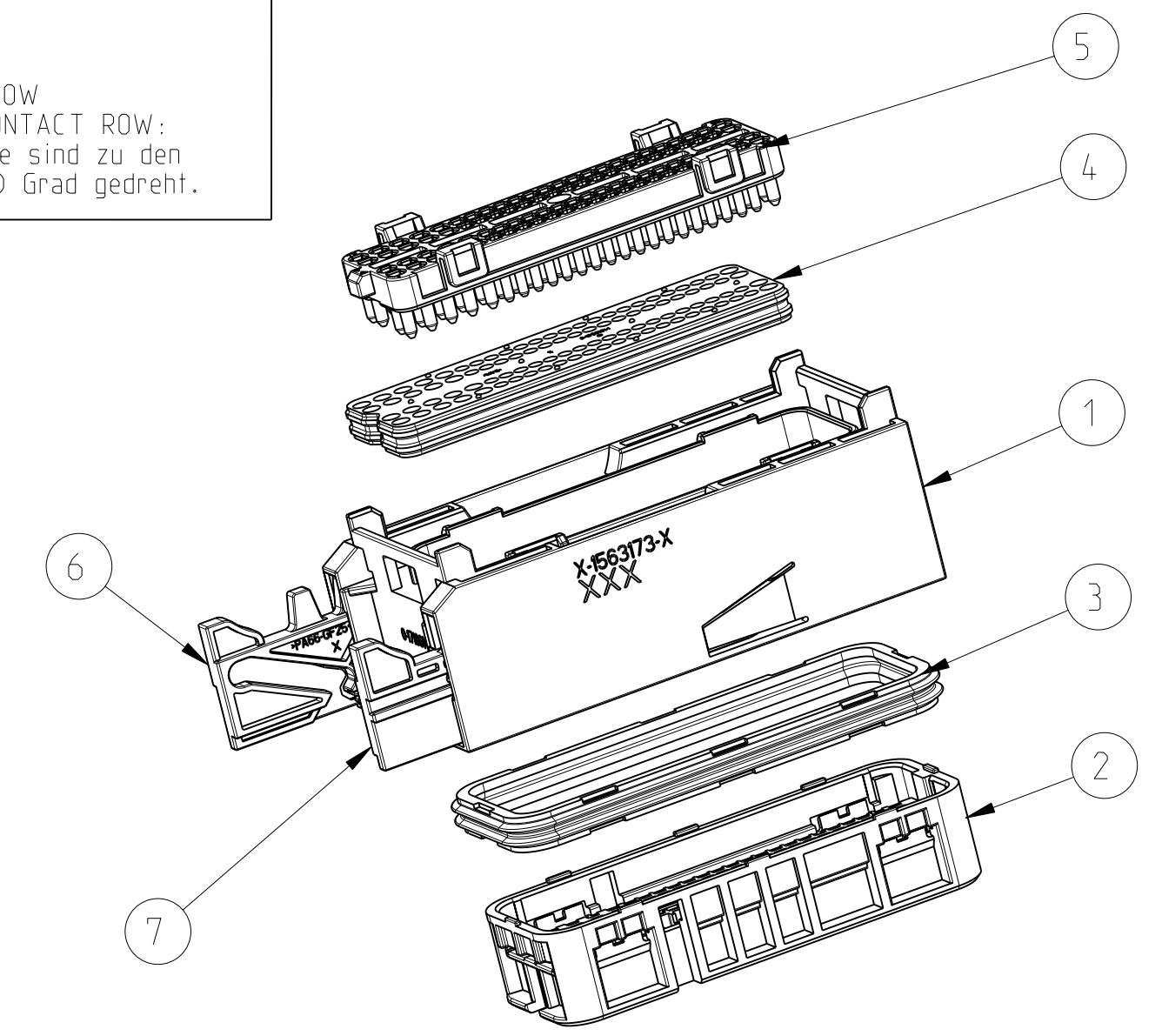
MARKING FOR PINOUT CONFIGURATION
 SEE TABLE ON DRAWING 1564284
 Markierung fuer Pinoutkonfiguration
 siehe Tabelle auf der Zeichnung 1564284



- NOTES:
 Bemerkungen:
- ASSY. USED WITH PARTS:
 Assy verwendet mit folgenden Teilen:
 HEADER BOSCH: PN: 000 20633 614
 HEADER TE: PN 0-1565428-1
 - MATED WITH:
 Passend zu:
 COVER PN: X-1452389-X, 0-1452862-1
 2-NDARY LOCK PN: 0-1452388-2
 Kappe PN: X-1452389-X, 0-1452862-1
 2te Kontaktsicherung PN: 0-1452388-2
 - SEALING FUNCTION REQUIRES ONLY FOLLOWING WIRE SIZE DIAMETERS FOR THE SIGNAL TERMINALS:
 Zur Sicherstellung der Dichtigkeit duerfen folgende Drahtquerschnitte bei den Signalkontakten verwendet werden:
 a) 0.35mm² - 0.75mm² = ISO Ø 1.2-1.9 mm
 FOR ALL WITH "X" MARKED CAVITIES; SEE PINOUT CONFIGURATION TABLE fuer alle markierten Felder mit "X" in der Pinbelegungstabelle
 b) 0.50mm² - 1.5mm² = ISO Ø 1.4-2.4mm
 FOR ALL WITH NUMBERED CAVITIES; SEE PINOUT CONFIGURATION TABLE fuer alle nummerierten Felder in der Pinbelegungstabelle
 - ASSY DELIVERED WITH SLIDERS IN END POSITION
 Anlieferungszustand: Schieber in Endraststellung

LOC	DIST	REVISIONS			
AI	-	REV	DATE	BY	APPD
		D	18JAN2010	GP	GM

QTY REQD PER ASSY	MATERIAL	DESCRIPTION	COLOUR	ITEM NO
1x	PA66-GF25	96 POS. PCM CON. SLIDE RIGHT	BLACK	7
1x	PA66-GF25	96 POS. PCM CON. SLIDE LEFT	BLACK	6
1x	PBT-GF20	96 POS. PCM CON. COVER FOR FAMILY SEAL	BLACK	5
1x	SILICONE	96 POS. FAMILY SEAL	LIGHT BLUE	4
1x	SILICONE	96 POS. PCM CON. PERIPHERAL SEAL	WHITE	3
1x	PA66-GF35	96 POS. PCM CON. CONTACT HOUSING	BLACK	2
1x	PA66-GF35	96 POS. PCM CON. FEMALE HOUSING	BLACK	1
70	WEIGHT OF EACH ASSY NO (g)			
X-1563173-X X-1564284-X	ASSEMBLY PART NUMBER			



* 1394897 WILL BE REPLACED DURING NEXT YEAR BY 1670144
 * 1394897 wird innerhalb eines Jahres ersetzt durch 1670144

TERMINALS TE PN	FINISH Oberflaeche	WIRE SIZE (mm ²) Drahtquerschnitt (mm ²)	NOTES Bemerkungen
0-1452503-3	SILVER PLATED	1.0 - 1.5	BLINDPLUG Blindstopfen 0.75mm ² PN 1-1452424-1 BROWN / braun 1.5mm ² PN 1-1452424-2 BLUE / blau
0-1670144-3		0.5 - 0.75	
0-1394897-3 *			
0-1534594-3		0.35	
0-1452503-2	GOLD PLATED	1.0 - 1.5	
0-1670144-2		0.5 - 0.75	
0-1394897-2 *			
0-1534594-2		0.35	
0-1452503-1	PRE-TIN	1.0 - 1.5	
0-1670144-1		0.5 - 0.75	
0-1394897-1 *			
0-1534594-1		0.35	

PINOUT CONFIGURATION SEE DRAWING 1564284
 Pinoutkonfiguration siehe Zeichnung 1564284

DIMENSIONS:		TOLERANCES UNLESS OTHERWISE SPECIFIED:		DWN		Tyco Electronics	
mm		DIN 15901-120		LOC	DATE	NAME	Customer
7	PLC	±		AI	11JULY2007	U. SCHAAD	Tyco Electronics AMP GmbH
1	PLC	±		CA	11JULY2007	K. ROTH	64625 Bensheim (Germany)
2	PLC	±		AP	11JULY2007	E. MUMPER	
3	PLC	±		PR			
4	PLC	±		NAME			96 POS. CONNECTOR ASSEMBLY (96 x MCON 1.2 mm) FOR 154POS. CONNECTOR
	ANGLES	±	#1	SIZE			114-18966
	FINISH			WEIGHT			00779
				CUSTOMER DRAWING			©=1563173
				SCALE	2:1	SHEET	1 OF 1
				REV			D

Mouser Electronics

Authorized Distributor

Click to View Pricing, Inventory, Delivery & Lifecycle Information:

[TE Connectivity:](#)

[9-1563173-9](#)