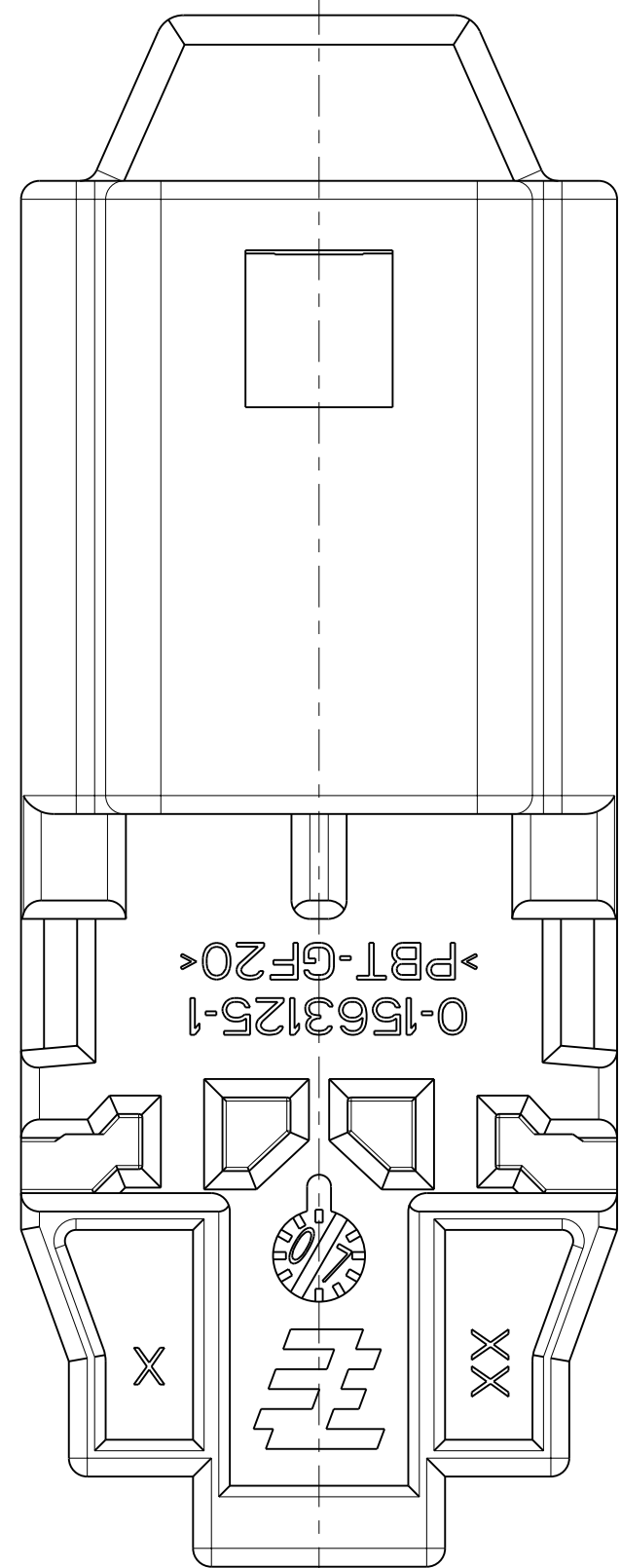
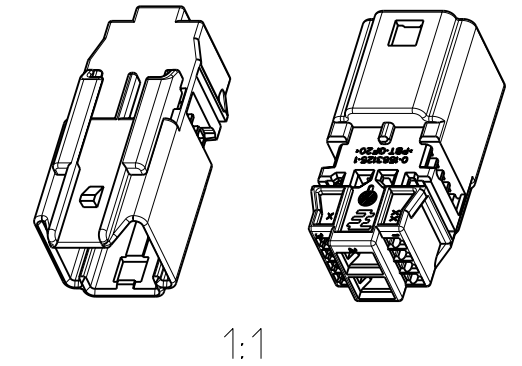
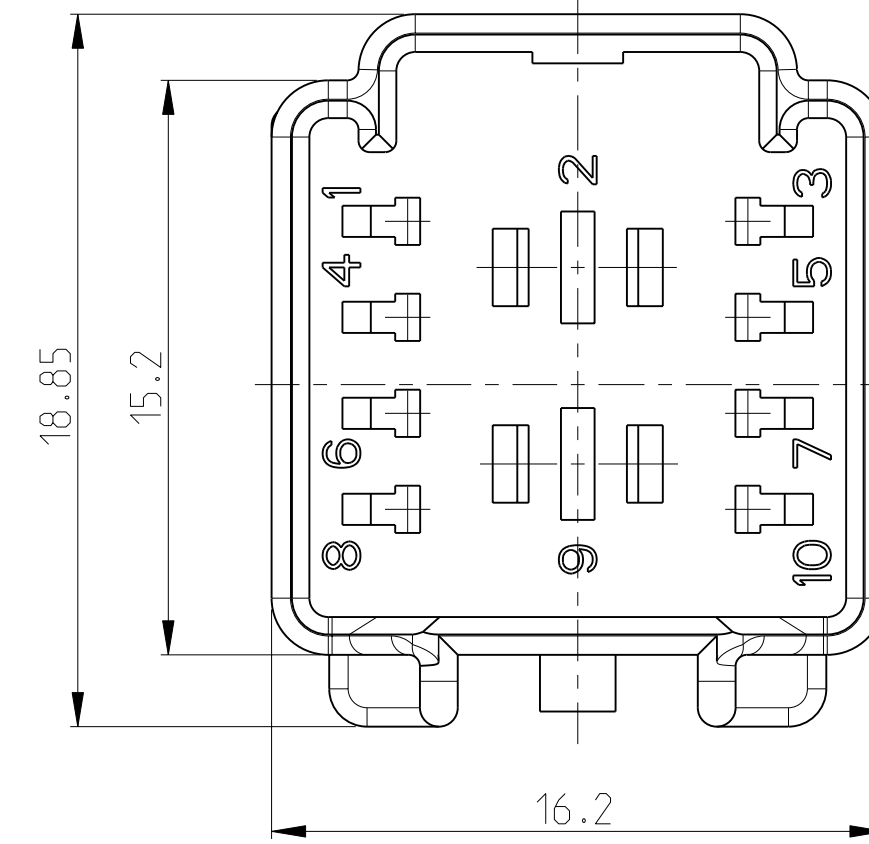
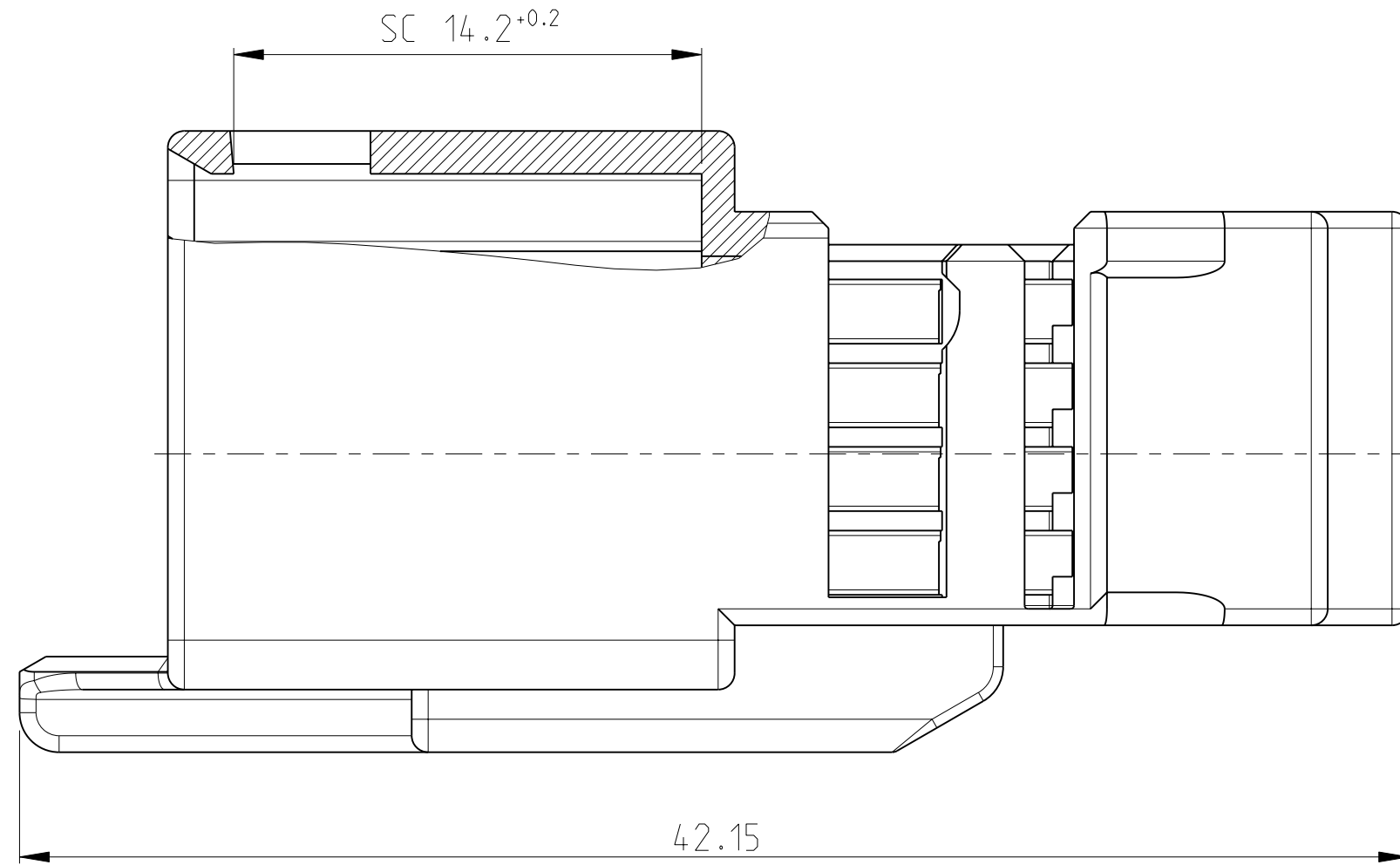
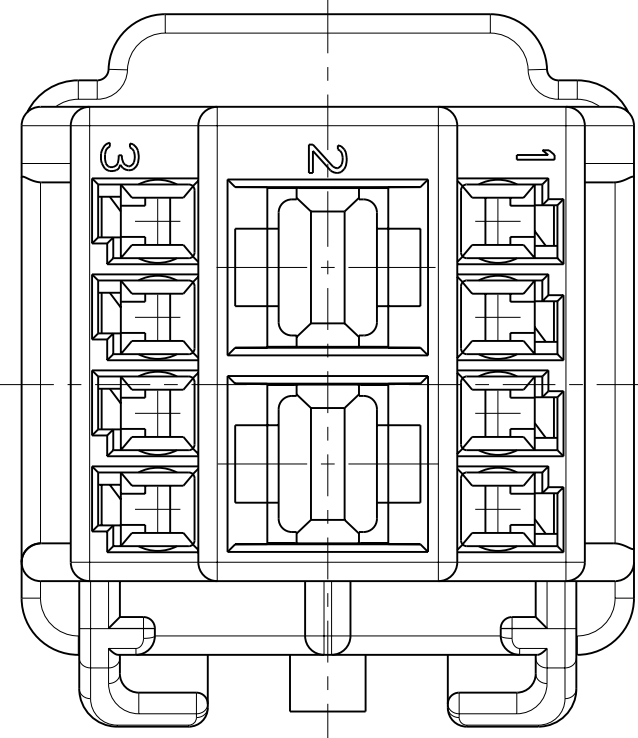


THIS DRAWING IS UNPUBLISHED. RELEASED FOR PUBLICATION 2007  
 © COPYRIGHT 2007 Tyco Electronics AMP GmbH ALL RIGHTS RESERVED.

LOC	DIST	REVISIONS			
P	LTR	DESCRIPTION	DATE	DWN	APVD
A1	-	B2	ECR-12-002462	08FEB2012	GP GM



SECONDARY LOCK TO BE MOUNTED BY HARNESSMAKER AFTER CONTACT INSERTION:  
 Zweite Kontaktsicherung wird nach Kontaktbestueckung durch den Kabelkonfektionierer montiert:

0-1563126-1  
 10POS MIXED SECONDARY LOCK

**DELIVERY CONDITION:**  
**PARTS UNMOUNTED EACH IN SEPERATE BOXES.**  
**SECONDARY LOCK TO BE ORDERED SEPERATELY !**

**Anlieferungszustand:**  
**Teile werden seperat geliefert.**  
**Zweite Kontaktsicherung muss seperat bestellt werden !**

- NOTES:  
 Bemerkungen:
- 1 MATED WITH TE-PN: 0-1563123-1  
Verwendet mit TE-PN: 0-1563123-1
  - SC SIGNIFICANT CHARACTERISTIC  
Signifiantes Merkmal

PART NO	DESCRIPTION	COLOUR	ITEM NO
0-1563125-2	10POS. MIXED TAB HOUSING	NATURE	1
0-1563125-1	10POS. MIXED TAB HOUSING	BLACK SIMILAR RAL9011	1

PARTS LIST

DESCRIPTION Beschreibung	FINISH Oberflaeche	TERMINALS TE-NO. Kontakte TE-Nr.
MCON 1.2 LL TAB CONTACT (0.25mm <sup>2</sup> -0.35mm <sup>2</sup> ) WITH INS.Ø1.1-Ø1.75	TIN PLATE	0-1418758-1
MCON 1.2 LL TAB CONTACT (0.5mm <sup>2</sup> -0.75mm <sup>2</sup> ) WITH INS.Ø1.4-Ø1.9	TIN PLATE	0-1418760-1
MCP 2.8x0.8 TAB CONTACT (0.2mm <sup>2</sup> -0.5mm <sup>2</sup> ) WITH INS.Ø1.3-Ø1.6	TIN PLATE	1-963860-1
MCP 2.8x0.8 TAB CONTACT (0.5mm <sup>2</sup> -1.0mm <sup>2</sup> ) WITH INS.Ø1.4-Ø2.1	TIN PLATE	1-962841-1
MCP 2.8x0.8 TAB CONTACT (>1.0mm <sup>2</sup> -2.5mm <sup>2</sup> ) WITH INS.Ø2.1-Ø2.9	TIN PLATE	1-962842-1

THIS DRAWING IS A CONTROLLED DOCUMENT.

DIMENSIONS:	TOLERANCES UNLESS OTHERWISE SPECIFIED:
mm	0 PLC ±0.50
	1 PLC ±0.50
	2 PLC ±0.50
	3 PLC ±
	4 PLC ±
	ANGLES ±°
MATERIAL	FINISH

DWN G.PUCKEL 27AUG2007  
 CHK K.ROTH 27AUG2007  
 APVD G.PUCKEL 27AUG2007

PRODUCT SPEC  
 APPLICATION SPEC  
 WEIGHT

NAME: 10POS MIXED TAB HOUSING  
 8 x MCON1.2 AND 2 x MCP2.8

SIZE: A2 CAGE CODE: 00779 DRAWING NO: 1563125 RESTRICTED TO: -

CUSTOMER DRAWING SCALE: 5:1 SHEET 1 OF 1 REV: B2

# Mouser Electronics

Authorized Distributor

Click to View Pricing, Inventory, Delivery & Lifecycle Information:

[TE Connectivity:](#)

[1563125-1](#)