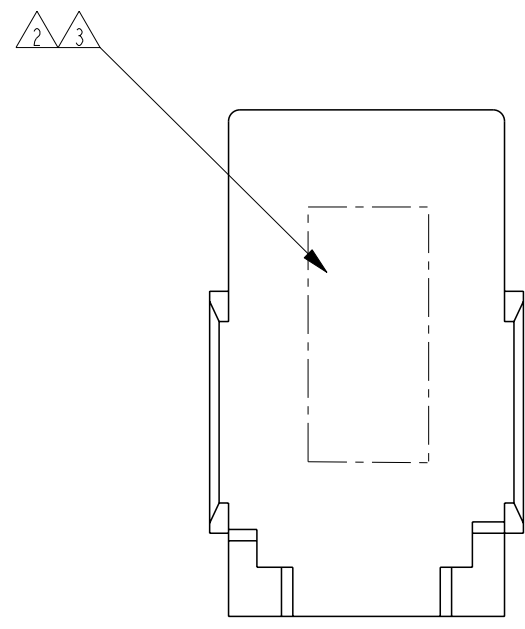
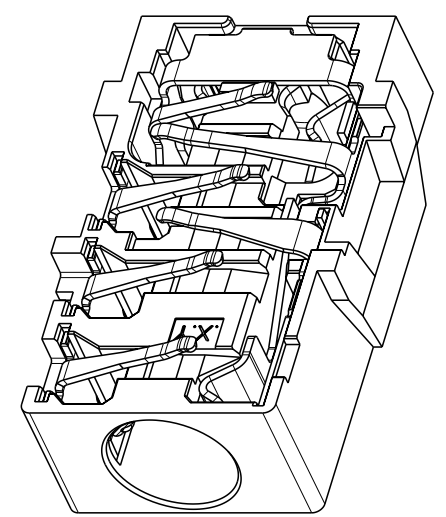
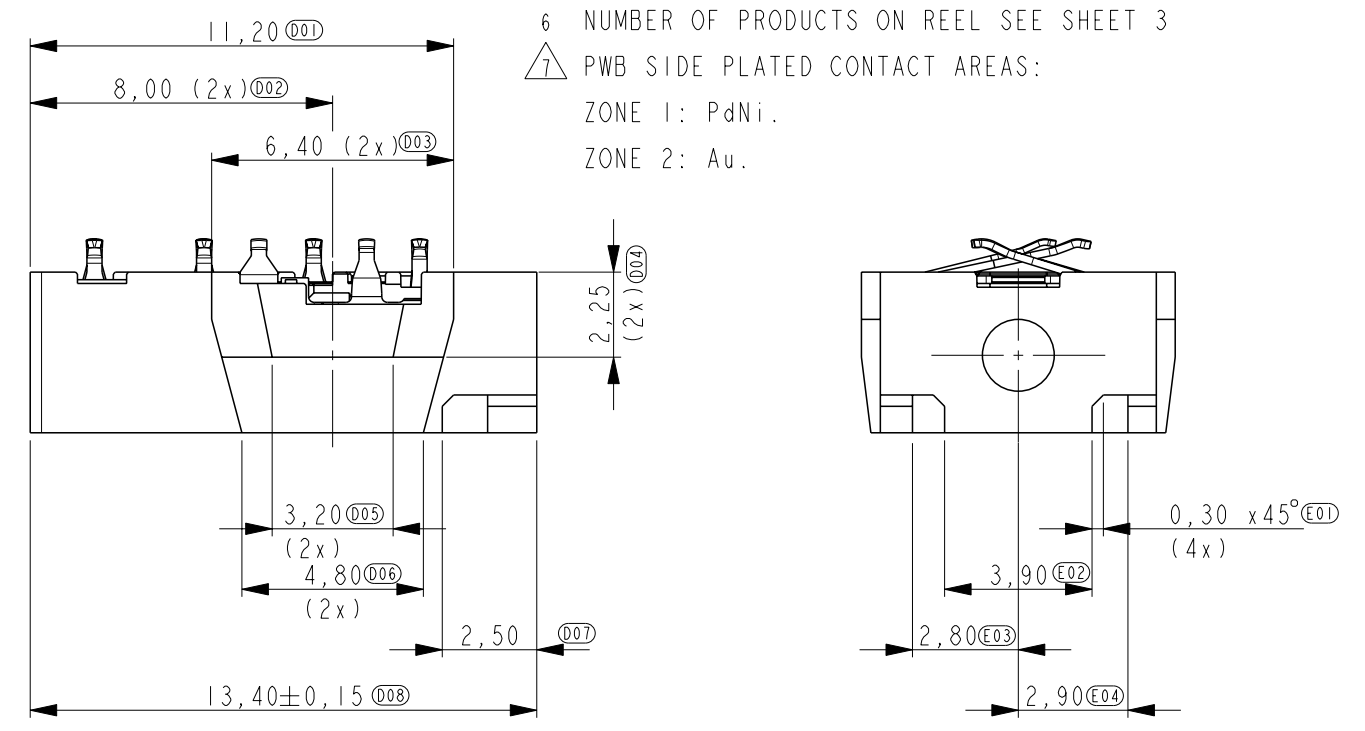
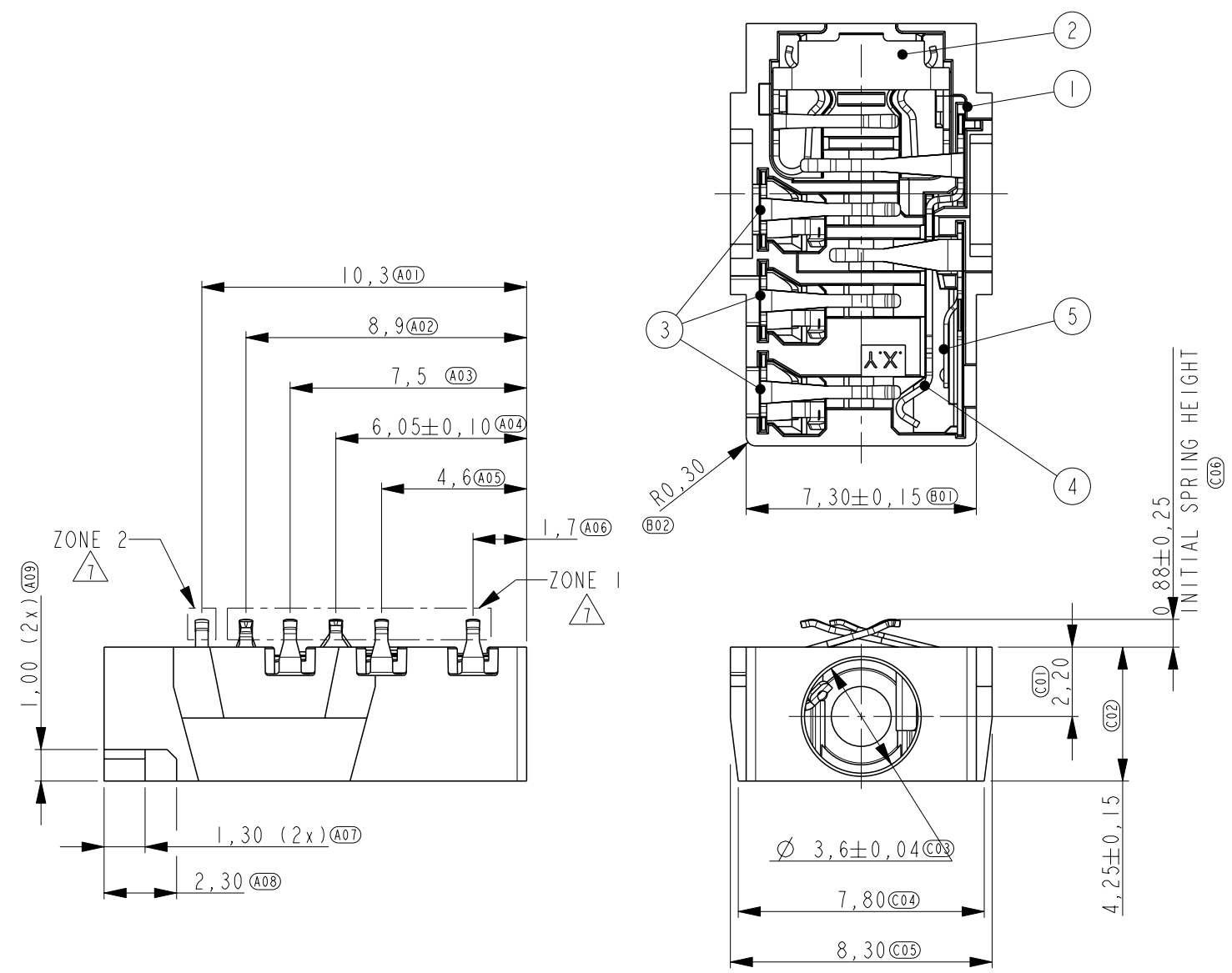


THIS DRAWING IS UNPUBLISHED. RELEASED FOR PUBLICATION
 © COPYRIGHT - BY - ALL RIGHTS RESERVED.

LOC	DIST	REVISIONS					
H	-	P	LTR	DESCRIPTION	DATE	DWN	APVD
		A		ECR-11-003798	24FEB2011	MG	DH
		B		ECR-11-007037	12APR2011	MG	DH
		BI		ECR-11-013439	28JUN2011	JvH	DH
		C		ECR-12-016525	03DEC2012	JvH	DH

NOTES:
 1 PARTNUMBER 1551768-1 AS SHOWN
 2 VERSION CODE V6
 3 DATE CODE YYMMDD, SHIFT CODE M, PRODUCTION LINE ##
 4 RECOMMENDED PWB LAYOUT SEE SHEET 2
 5 PACKAGING IN EIA 481-D SEE SHEET 3
 6 NUMBER OF PRODUCTS ON REEL SEE SHEET 3
 7 PWB SIDE PLATED CONTACT AREAS:
 ZONE 1: PdNi.
 ZONE 2: Au.



ITEM NO.	DESCRIPTION	MATERIAL	FINISH
5	SWITCH CONTACT	Cu Alloy	Under layer 1.3 µm Ni , 0.2 µm MAX flashgold over 0.4 µm MIN PdNi selectively
4	GROUND CONTACT	Cu Alloy	Under layer 1.3 µm Ni , 0.2 µm MAX flashgold over 0.4 µm MIN PdNi selectively
3	RIGHT/MIC/GND2 CONTACT	Cu Alloy	Under layer 1.3 µm Ni , 0.2 µm MAX flashgold over 0.4 µm MIN PdNi selectively
2	LEFT CONTACT	Cu Alloy	Under layer 1.3 µm Ni , 0.2 µm MAX flashgold over 0.4 µm MIN PdNi selectively
1	HOUSING	PBT, 30% G.F.	Compressive spring side 0,5µm gold only

THIS DRAWING IS A CONTROLLED DOCUMENT.

DIMENSIONS: mm	TOLERANCES UNLESS OTHERWISE SPECIFIED: 0 PLC ±- 1 PLC ±0.1 2 PLC ±0.05 3 PLC ±0.025 4 PLC ±0.01 ANGLES ±2	DWN 06AUG2010 J. van Hoek CHK 06AUG2010 M. Gosselink APVD 06AUG2010 D. Halberstadt		NAME 3.5mm AV connector, compressive		
MATERIAL -	FINISH -	PRODUCT SPEC 108-19402		SIZE A3	CAGE CODE 00779	DRAWING NO C=1551768
Customer Drawing		SCALE 5	SHEET 1	OF 3	REV C	

THIS DRAWING IS UNPUBLISHED.

RELEASED FOR PUBLICATION

© COPYRIGHT - BY -

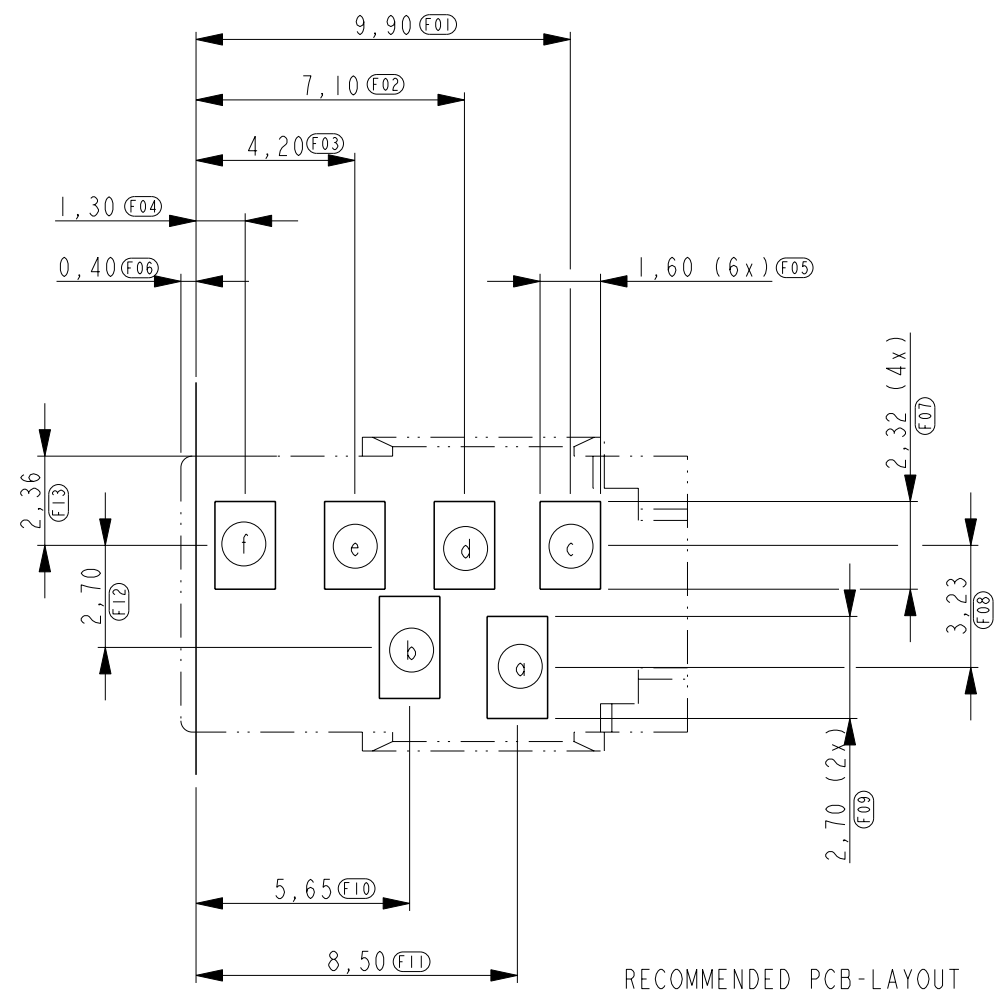
ALL RIGHTS RESERVED.

LOC
H

DIST
-

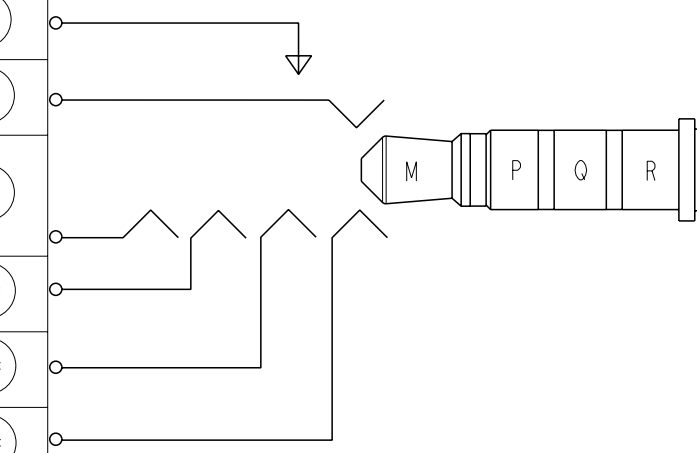
REVISIONS

P	LTR	DESCRIPTION	DATE	DWN	APVD
-	-	SEE SHEET 1	-	-	-



RECOMMENDED PCB-LAYOUT

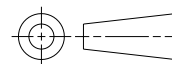
Plug Band	Layout No.	Contact No.
	(b)	(6#)
R	(a)	(5#)
M	(c)	(4#)
P	(d)	(3#)
Q	(e)	(2#)
R	(f)	(1#)



CIRCUIT DIAGRAM

THIS DRAWING IS A CONTROLLED DOCUMENT.

DIMENSIONS:
mm



TOLERANCES UNLESS OTHERWISE SPECIFIED:

0 PLC	±-
1 PLC	±0.1
2 PLC	±0.05
3 PLC	±0.025
4 PLC	±0.01
ANGLES	±2

MATERIAL -

FINISH -

DWN 06AUG2010
J. van Hoek
CHK 06AUG2010
M. Gosselink
APVD 06AUG2010
D. Halberstadt

PRODUCT SPEC
108-19402

APPLICATION SPEC

WEIGHT -

Customer Drawing



TE Connectivity

NAME
3.5mm AV connector,
compressive

SIZE	CAGE CODE	DRAWING NO	RESTRICTED TO
------	-----------	------------	---------------

A3	00779	C=1551768	-
----	-------	-----------	---

SCALE	SHEET	OF	REV
5	2	3	C

THIS DRAWING IS UNPUBLISHED.

RELEASED FOR PUBLICATION

© COPYRIGHT - BY -

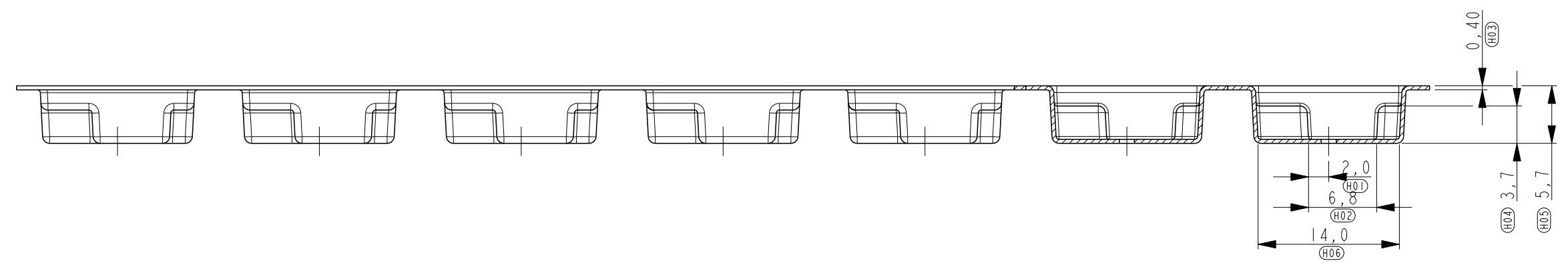
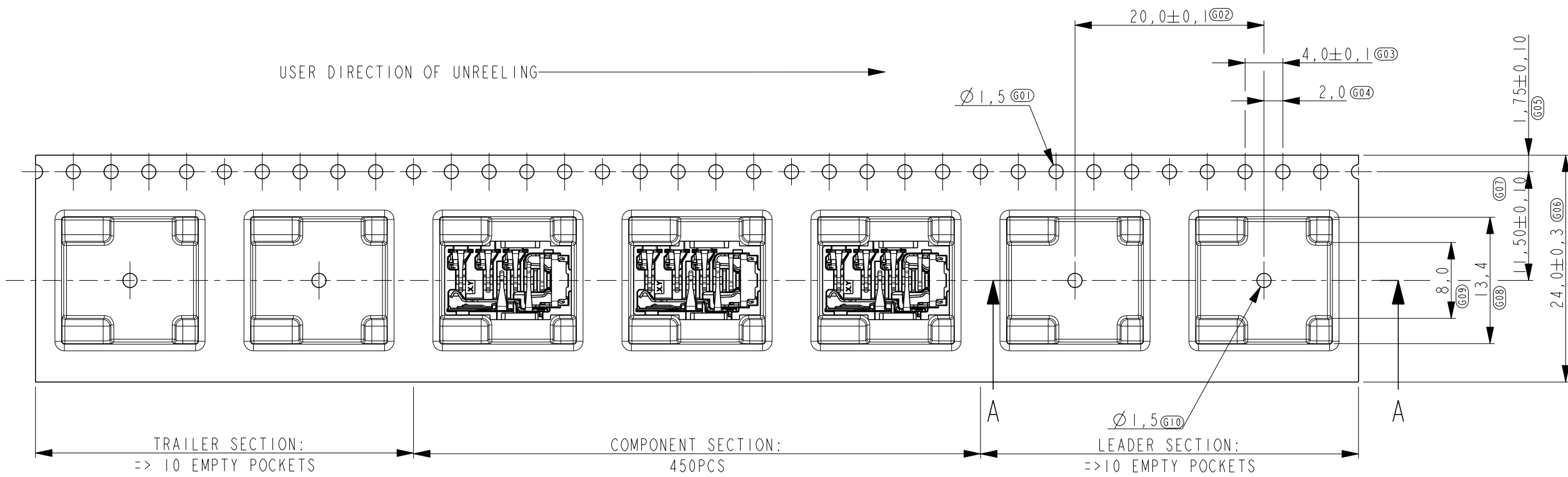
ALL RIGHTS RESERVED.

LOC H
DIST -

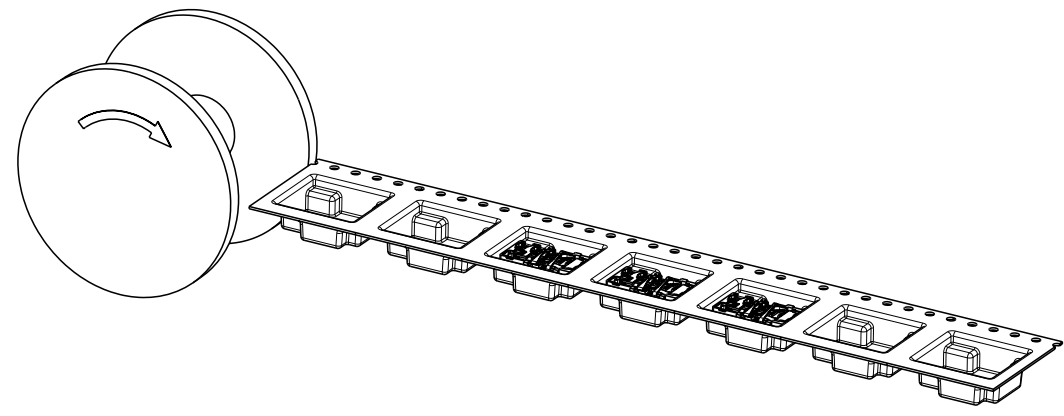
REVISIONS


P	LTR	DESCRIPTION	DATE	DWN	APVD
-	-	SEE SHEET 1	-	-	-

PACKAGING QUANTITY		
PCS/REEL	REEL/BOX	PCS/BOX
450	10	4500



SECTION A-A



THIS DRAWING IS A CONTROLLED DOCUMENT.		DWN 06AUG2010 J. van Hoek		 TE Connectivity 3.5mm AV connector, compressive	
DIMENSIONS: mm		CHK 06AUG2010 M. Gosselink			
TOLERANCES UNLESS OTHERWISE SPECIFIED:		APVD 06AUG2010 D. Halberstadt			
0 PLC ±- 1 PLC ±0.1 2 PLC ±0.05 3 PLC ±0.025 4 PLC ±0.01 ANGLES ±2		PRODUCT SPEC 108-19402 APPLICATION SPEC -			
MATERIAL -		FINISH -		NAME	
		WEIGHT -		SIZE	
		Customer Drawing		CAGE CODE	
				DRAWING NO	
				RESTRICTED TO	
				A3 00779 C-1551768	
				SCALE	
				5	
				SHEET	
				3 OF 3	
				REV	
				C	

Mouser Electronics

Authorized Distributor

Click to View Pricing, Inventory, Delivery & Lifecycle Information:

[TE Connectivity:](#)

[1551768-1](#)