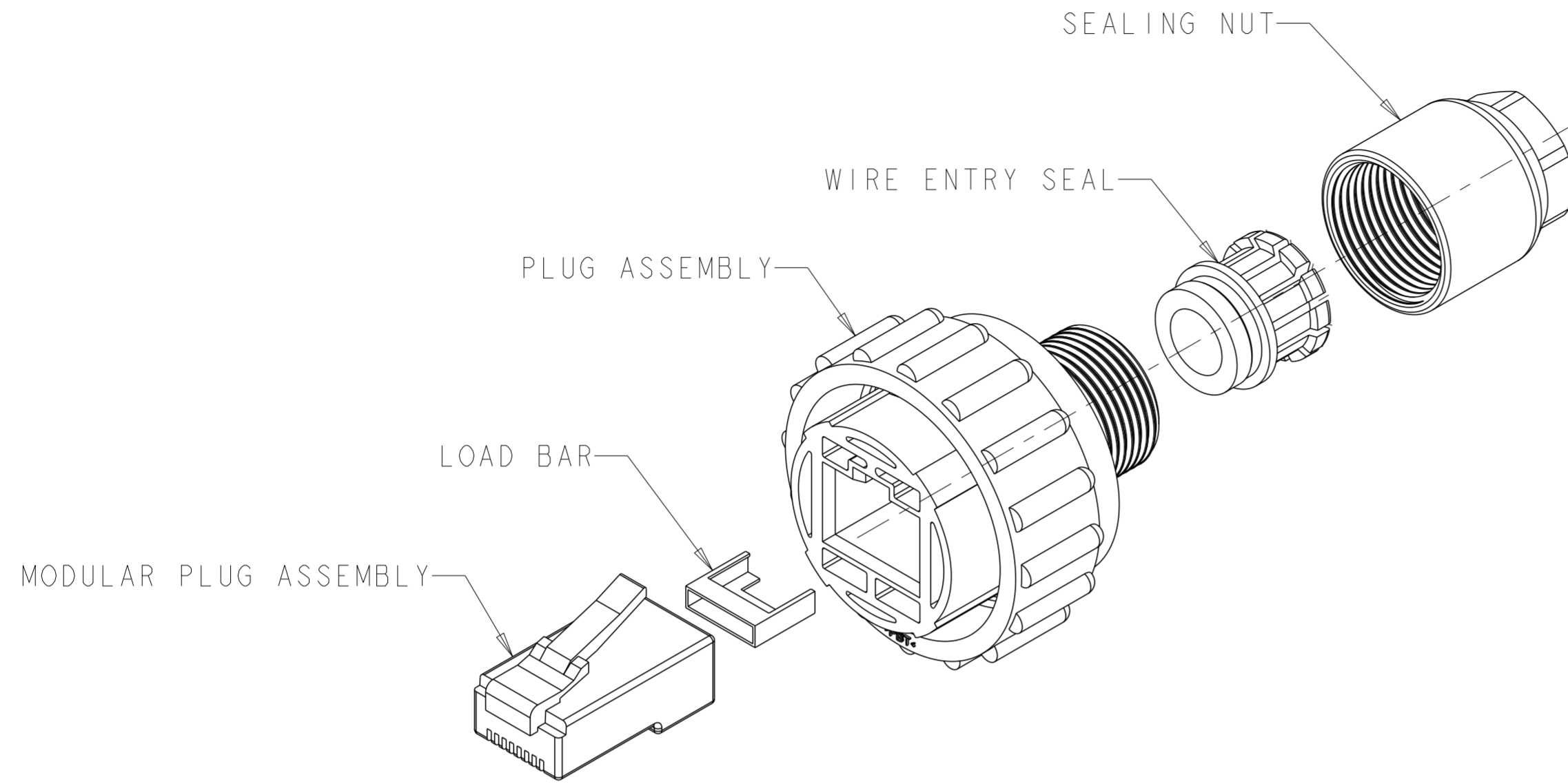
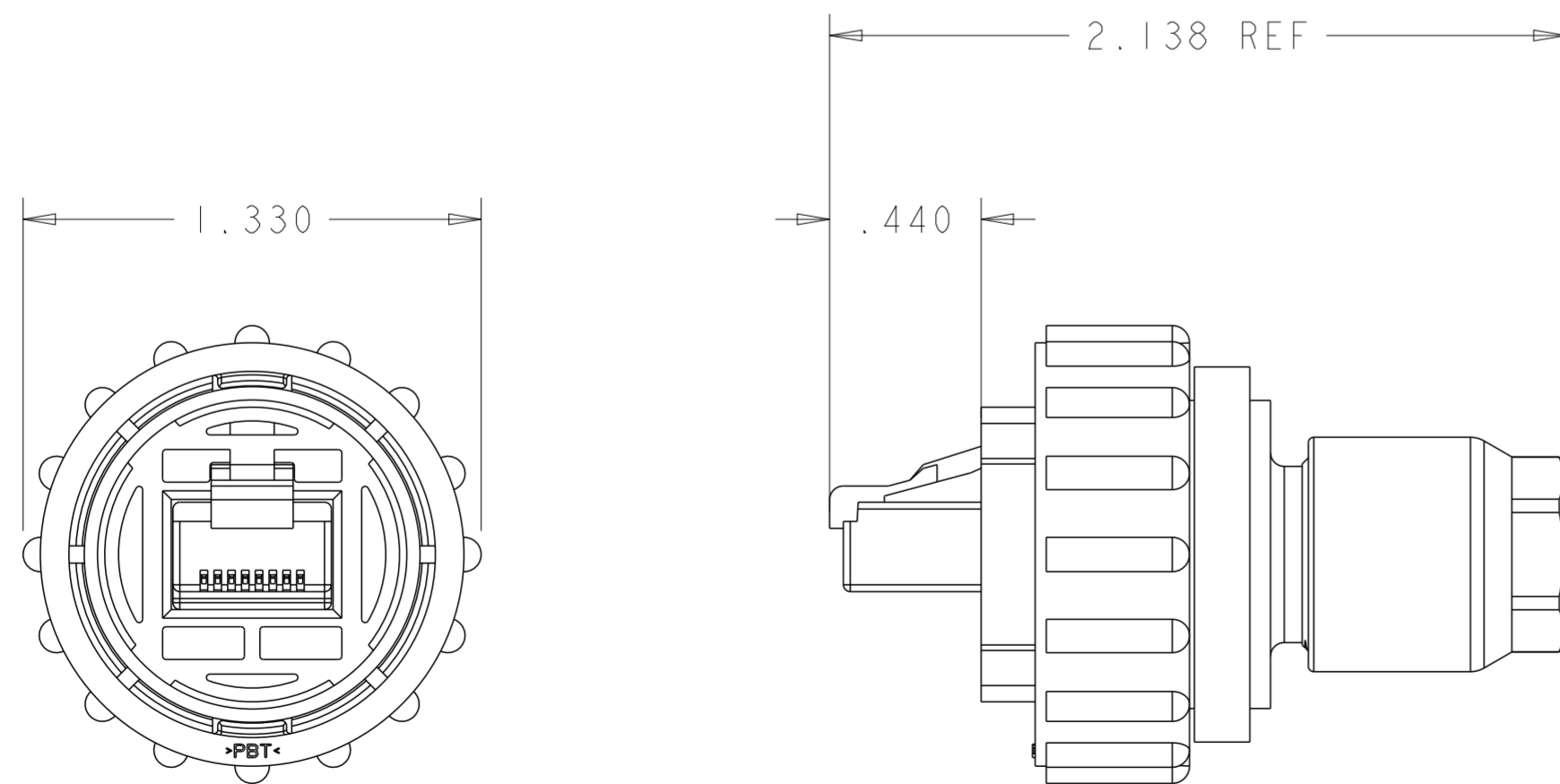


THIS DRAWING IS UNPUBLISHED. RELEASED FOR PUBLICATION 20
 © COPYRIGHT 20 BY - ALL RIGHTS RESERVED.

REVISIONS				
P	LTR	DESCRIPTION	DATE	APVD
C		REVISED PER ECO-14-010700	28OCT2014	NK MB



- 1 PARTS PACKAGED UNASSEMBLED.
- 2 CABLE DIAMETER RANGE: .180[4.6]-.236[6.0].



ASSEMBLED VIEW

THIS DRAWING IS A CONTROLLED DOCUMENT.		DWN S. WELDON 08MAR2004	TE Connectivity	
DIMENSIONS: INCHES		CHK H. WAKEEM 08MAR2004		
TOLERANCES UNLESS OTHERWISE SPECIFIED:		APVD H. WAKEEM 08MAR2004		
0 PLC ± 1 PLC ±0.1 2 PLC ±0.02 3 PLC ±0.005 4 PLC ±0.0005 ANGLES ± FINISH -		NAME PLUG KIT, UNASSEMBLED, UNSHIELDED, CPC INDUSTRIAL ETHERNET		
MATERIAL	-	PRODUCT SPEC	SIZE	RESTRICTED TO
		APPLICATION SPEC	A200779	
		114-13137	C-1546876	
		WEIGHT	SCALE	SHEET
		CUSTOMER DRAWING	2:1	OF 1
				REV C

Mouser Electronics

Authorized Distributor

Click to View Pricing, Inventory, Delivery & Lifecycle Information:

[TE Connectivity:](#)

[1546876-1](#)