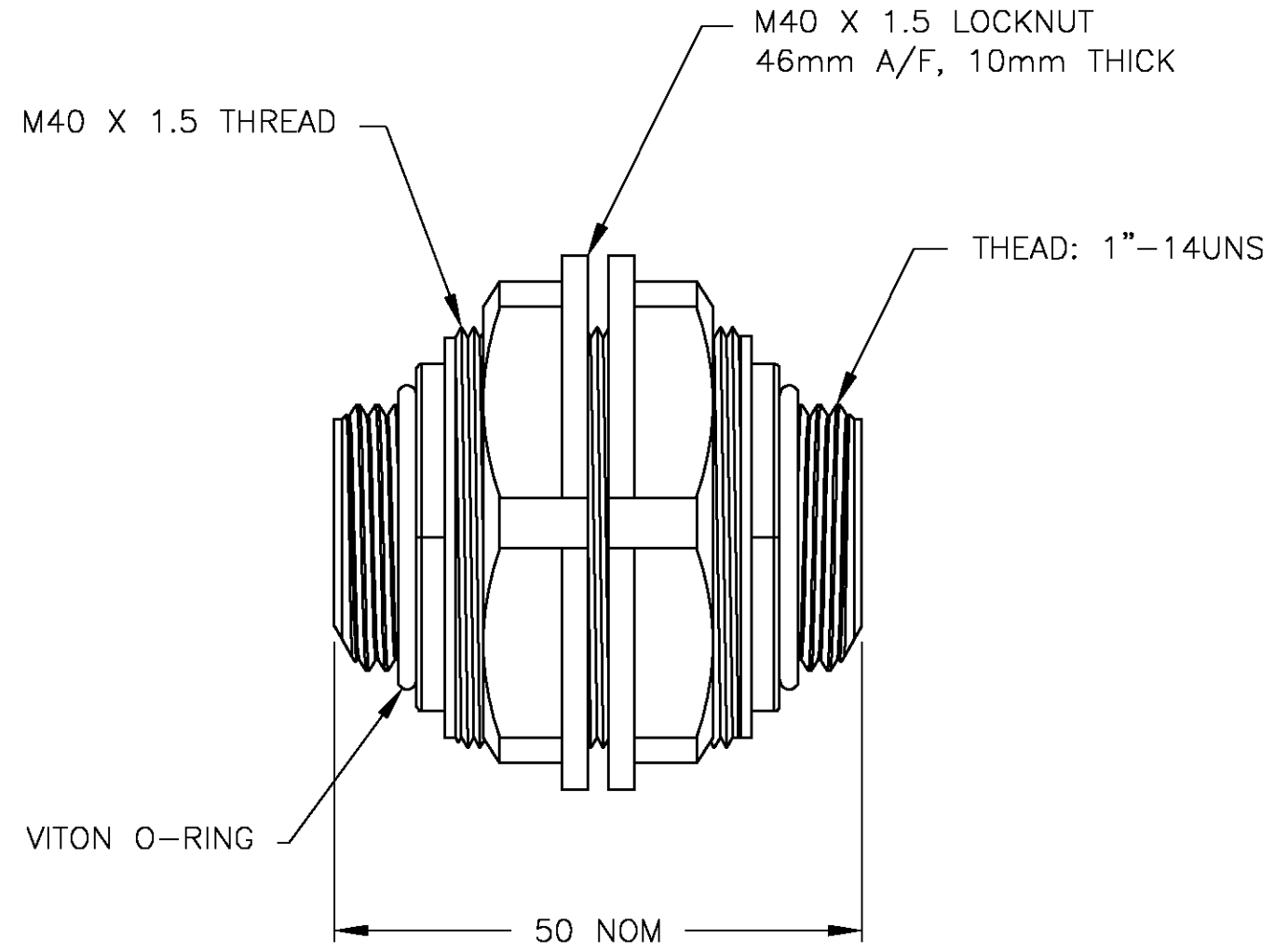
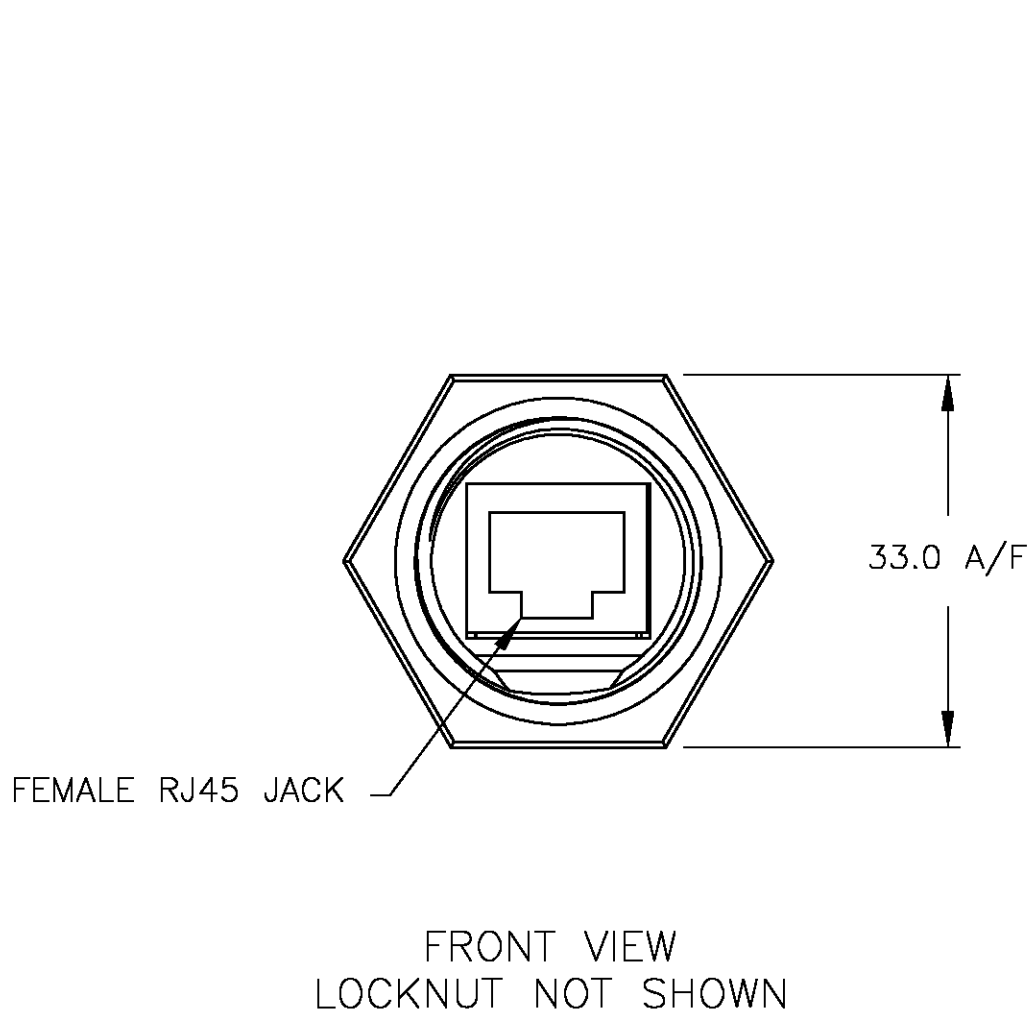


THIS DRAWING IS UNPUBLISHED. RELEASED FOR PUBLICATION  
 © COPYRIGHT - BY TYCO ELECTRONICS CORPORATION. ALL RIGHTS RESERVED.

LOC	DIST	REVISIONS			
P	LTR	DESCRIPTION	DATE	DWN	APVD
FT	0	A	REVISED PER 0G3B-0480-04	6/7/04	SS HW



RECOMMENDED MAX PANEL THICKNESS: 6mm

1546641-1  
PART NO.

THIS DRAWING IS A CONTROLLED DOCUMENT.		DWN S SCHLEGEL 24MAR2003	Tyco Electronics Corporation Harrisburg, Pa 17105-3608													
DIMENSIONS: mm		CHK H WAKEEM 3/24/03														
TOLERANCES UNLESS OTHERWISE SPECIFIED:		APVD H WAKEEM 3/24/03	NAME RJ-LNXX THREADED THROUGH PANEL INTERCONNECT (M40)													
<table border="1"> <tr><td>0 PLC</td><td>± 0.5</td></tr> <tr><td>1 PLC</td><td>± 0.25</td></tr> <tr><td>2 PLC</td><td>± 0.1</td></tr> <tr><td>3 PLC</td><td>± -</td></tr> <tr><td>4 PLC</td><td>± -</td></tr> <tr><td>ANGLES</td><td>± 1°</td></tr> </table>		0 PLC	± 0.5	1 PLC	± 0.25	2 PLC	± 0.1	3 PLC	± -	4 PLC	± -	ANGLES	± 1°	PRODUCT SPEC -	SIZE A3	
0 PLC	± 0.5															
1 PLC	± 0.25															
2 PLC	± 0.1															
3 PLC	± -															
4 PLC	± -															
ANGLES	± 1°															
MATERIAL -		FINISH -	CAGE CODE 00779	DRAWING NO C-1546641												
CUSTOMER DRAWING			RESTRICTED TO -	SCALE NTS												
			SHEET 1 OF 1	REV A												

# Mouser Electronics

Authorized Distributor

Click to View Pricing, Inventory, Delivery & Lifecycle Information:

[TE Connectivity:](#)

[1546641-1](#)