

4

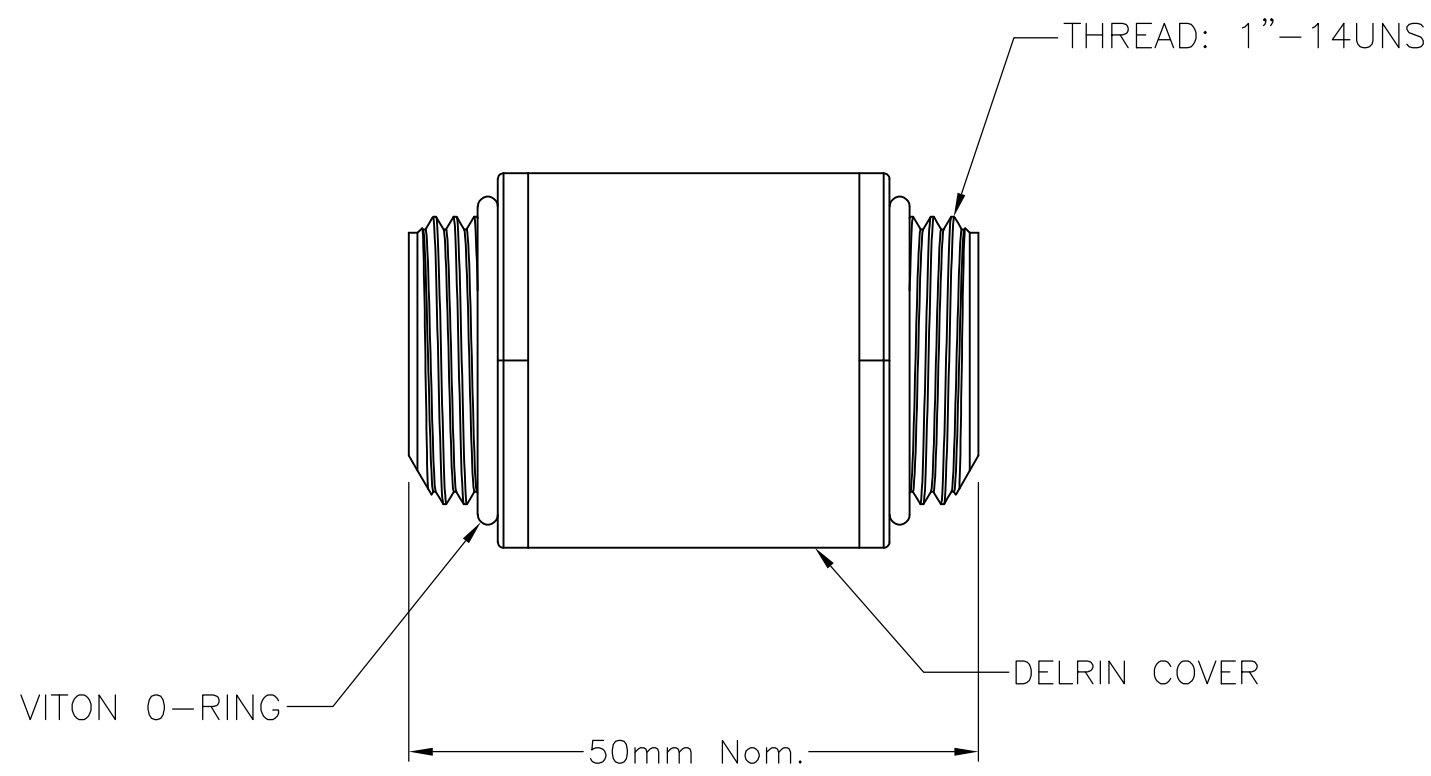
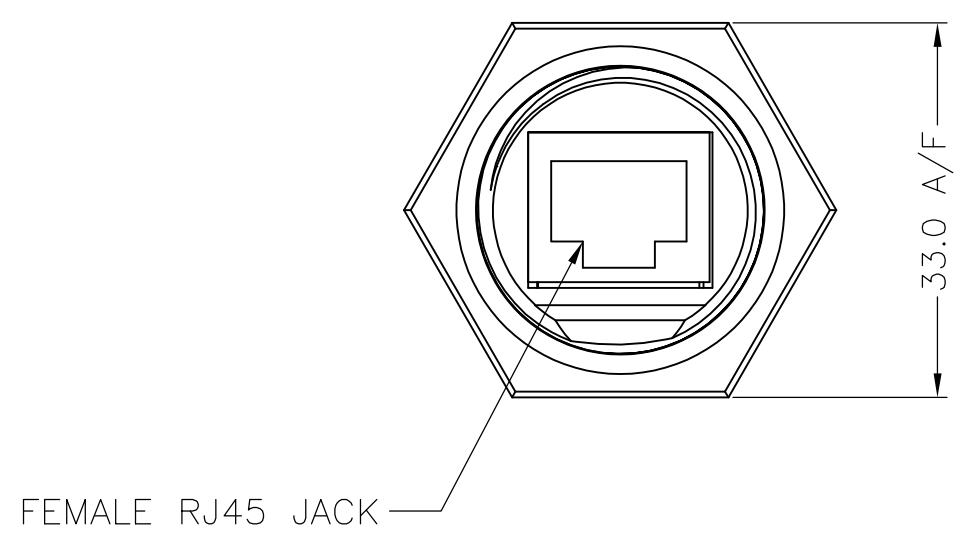
3

2

1

THIS DRAWING IS UNPUBLISHED. RELEASED FOR PUBLICATION  
 © COPYRIGHT - By - ALL RIGHTS RESERVED.

LOC	DIST	REVISIONS					
P	LTR	DESCRIPTION	DATE	DWN	APVD		
FT	0	P	P	REVISED PER ECO-11-005027	11MAR11	RK	HMR



THIS DRAWING IS A CONTROLLED DOCUMENT.		DWN	S SCHLEGEL	08APR2003	<b>STE</b> TE Connectivity		
DIMENSIONS: mm		CHK	H WAKEEM	4/8/03			
TOLERANCES UNLESS OTHERWISE SPECIFIED:		APVD	H WAKEEM	4/8/03	NAME		
0 PLC ± -		PRODUCT SPEC		RJ-LNXX FEMALE TO FEMALE ADAPTOR			
1 PLC ± -		APPLICATION SPEC		-			
2 PLC ± -		SIZE	A3	CAGE CODE	00779	DRAWING NO	C-1546574
3 PLC ± -		WEIGHT		RESTRICTED TO			
4 PLC ± -		-		-			
ANGLES ± -		CUSTOMER DRAWING		SCALE	NTS	SHEET	1 OF 1
FINISH		-		REV		P	

# Mouser Electronics

Authorized Distributor

Click to View Pricing, Inventory, Delivery & Lifecycle Information:

[TE Connectivity:](#)

[1546574-1](#)