

THIS DRAWING IS UNPUBLISHED. RELEASED FOR PUBLICATION. ALL RIGHTS RESERVED.

REVISIONS

Table with 5 columns: P, LTR, DESCRIPTION, DATE, DWN, APVD. Row 1: T5, PART STATUS UPDATED, 22JAN2018, RK, PS

PHYSICAL PROPERTIES:

HOUSING MATERIAL: PBT
FLAMMABILITY: UL94V-0
COLOR: BLACK
MAX BOW/WARP: .0056 IN/IN.

MECHANICAL:

PITCH (TERMINAL SPACING): .563"
WIRE RANGE: 10-22 AWG
RECOMMENDED TIGHTENING TORQUE: 14IN-LBS MAX.

TERMINAL:

TERMINALS: BRASS, TIN PLATED. (UNLESS OTHERWISE STATED)
SCREWS: 8-32 STEEL, NICKEL PLATED. (UNLESS OTHERWISE STATED)
Q.C. TABS: BRASS, NICKEL PLATED.

ELECTRICAL PROPERTIES:

MAXIMUM CURRENT: 30A
OPERATING VOLTAGE: 300V

ENVIRONMENTAL PROPERTIES:

OPERATING TEMP RANGE: -40°C TO 120°C

1 STAINLESS STEEL SCREWS.

2 WHITE INK STAMP.

3 NICKEL PLATED BRASS TERMINALS.

4 NICKEL PLATED BRASS SCREWS.

5 SEE FIGURE.

6 PRELIMINARY PART NUMBER.

7 OBSOLETE PART NUMBER.

8 TE CONNECTIVITY LOGO LOCATED APPROXIMATE AREA SHOWN.

Main data table with columns for dimensions (DIM B, DIM A), weight, and part numbers. Includes various connector configurations and their specifications.

NOTES

- 9 OTB JUMPER
8 .250 QC TAB 90° DOUBLE SIDE
7 .250 QC TAB 90°/45° DOUBLE SIDE
6 .250 QC TAB 90° DOUBLE SIDE
5 .250 QC TAB 45° DOUBLE SIDE
4 .250 QC TAB STRAIGHT DOUBLE SIDE
3 .250 QC TAB 90° SINGLE SIDE
2 .250 QC TAB 45° SINGLE SIDE
1 .250 QC TAB STRAIGHT SINGLE SIDE

THIS DRAWING IS A CONTROLLED DOCUMENT.

DWN 16FEB2007
SCHLEGEL
CHK 2/16/07
YODER
APVD 2/16/07
YODER

TE Connectivity Ltd.

Table with 2 columns: DIMENSIONS (INCHES), TOLERANCES UNLESS OTHERWISE SPECIFIED. Rows for 0-4 PLC and ANGLES.

14.3 (.563) DBL ROW BARRIER STRIP
W/O WASHER

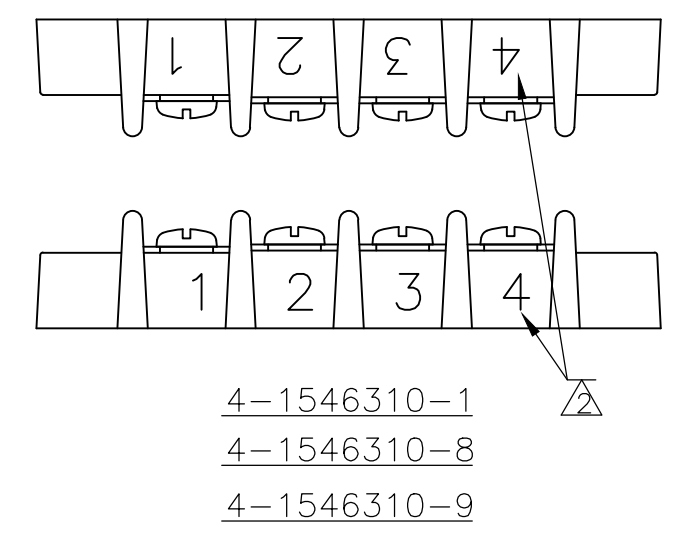
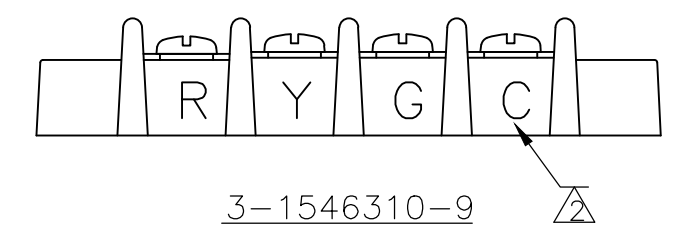
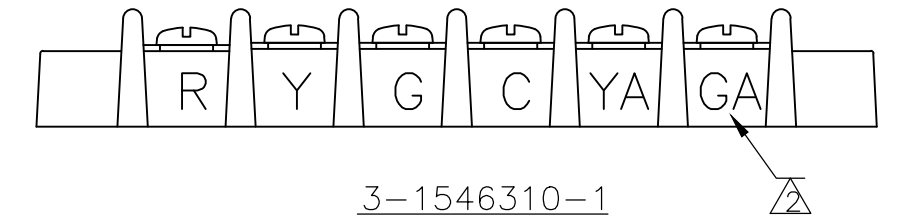
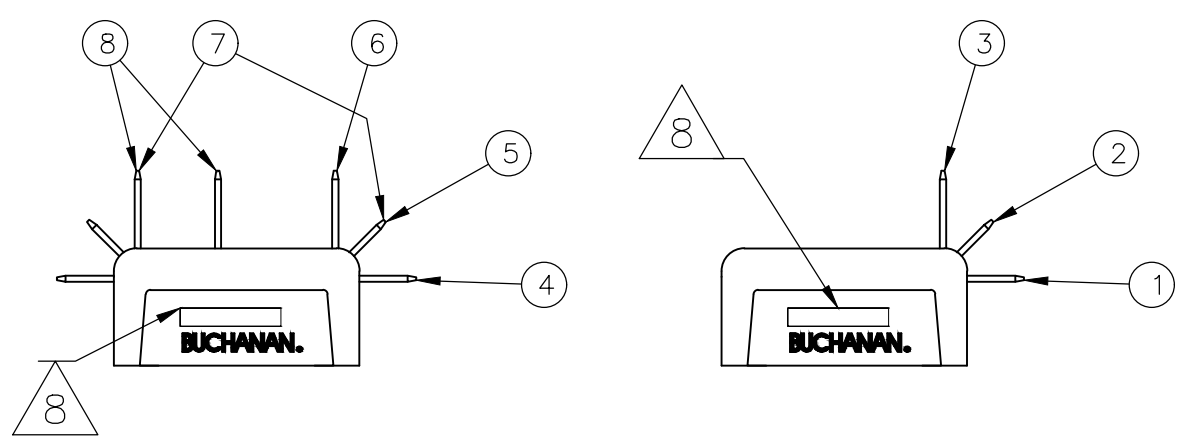
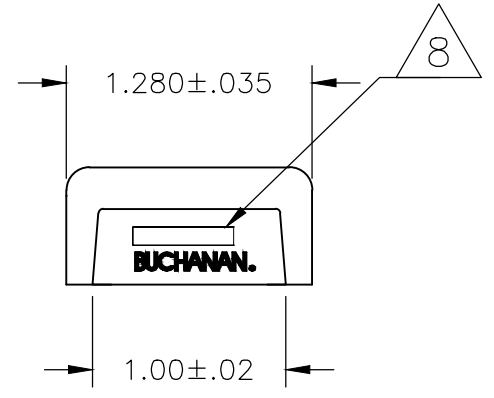
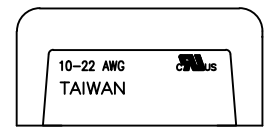
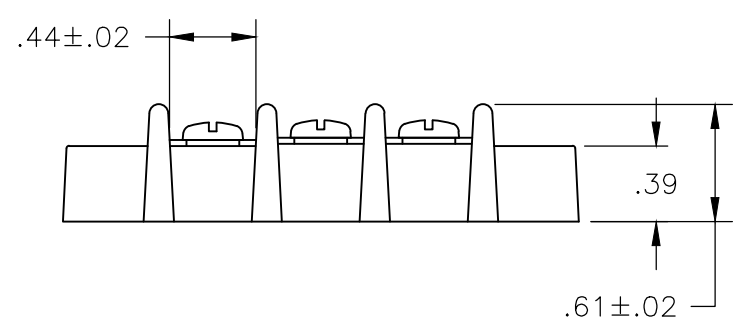
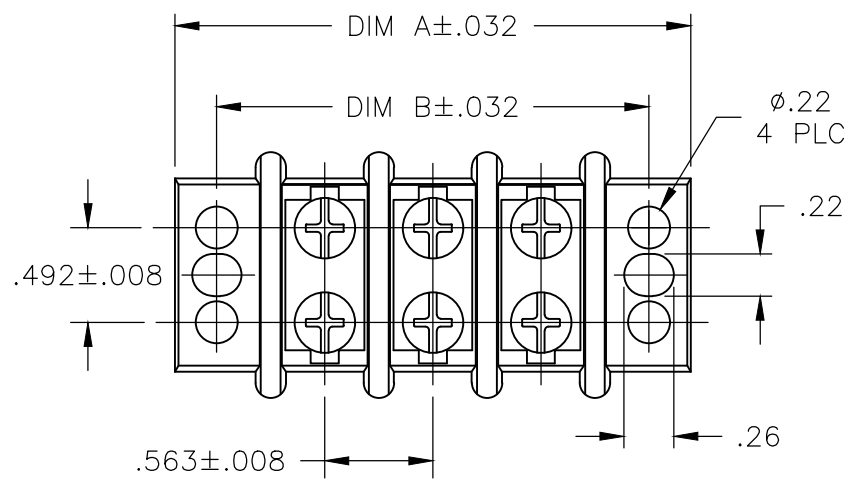
MATERIAL FINISH WEIGHT

SIZE A2 CAGE CODE 00779 DRAWING NO C=1546310 RESTRICTED TO

CUSTOMER DRAWING SCALE NTS SHEET 1 OF 4 REV T5

THIS DRAWING IS UNPUBLISHED. RELEASED FOR PUBLICATION
 © COPYRIGHT - By - ALL RIGHTS RESERVED.

REVISIONS				
P	LTR	DESCRIPTION	DATE	APVD
-	-	SEE SHEET 1	-	-



REV	DESCRIPTION	DATE	BY	CHKD	APVD	QTY	POSN	NO. OF POSN	DIM B	DIM A	PART NUMBER
2						2		14	1.693	2.130	5-1546310-1
									10.701	11.138	1-1546310-8
									10.138	10.575	1-1546310-7
									9.575	10.012	1-1546310-6
									9.012	9.449	1-1546310-5
6								14	8.449	8.886	4-1546310-9
									8.449	8.886	1-1546310-4

NOTES: 9 OTB JUMPER, 8 .250 QC TAB 90° DOUBLE SIDE, 7 .250 QC TAB 90°/45° DOUBLE SIDE, 6 .250 QC TAB 90° DOUBLE SIDE, 5 .250 QC TAB 45° DOUBLE SIDE, 4 .250 QC TAB STRAIGHT DOUBLE SIDE, 3 .250 QC TAB 90° SINGLE SIDE, 2 .250 QC TAB 45° SINGLE SIDE, 1 .250 QC TAB STRAIGHT SINGLE SIDE

THIS DRAWING IS A CONTROLLED DOCUMENT.

DIMENSIONS: INCHES. TOLERANCES UNLESS OTHERWISE SPECIFIED: 0 PLC ± -, 1 PLC ± -, 2 PLC ± -, 3 PLC ± -, 4 PLC ± -, ANGLES ± -.

MATERIAL: -. FINISH: -.

APPROVALS: DWN S SCHLEGEL 16FEB2007, CHK S YODER 2/16/07, APVD S YODER 2/16/07.

TE Connectivity Ltd. 14.3 (.563) DBL ROW BARRIER STRIP W/O WASHER.

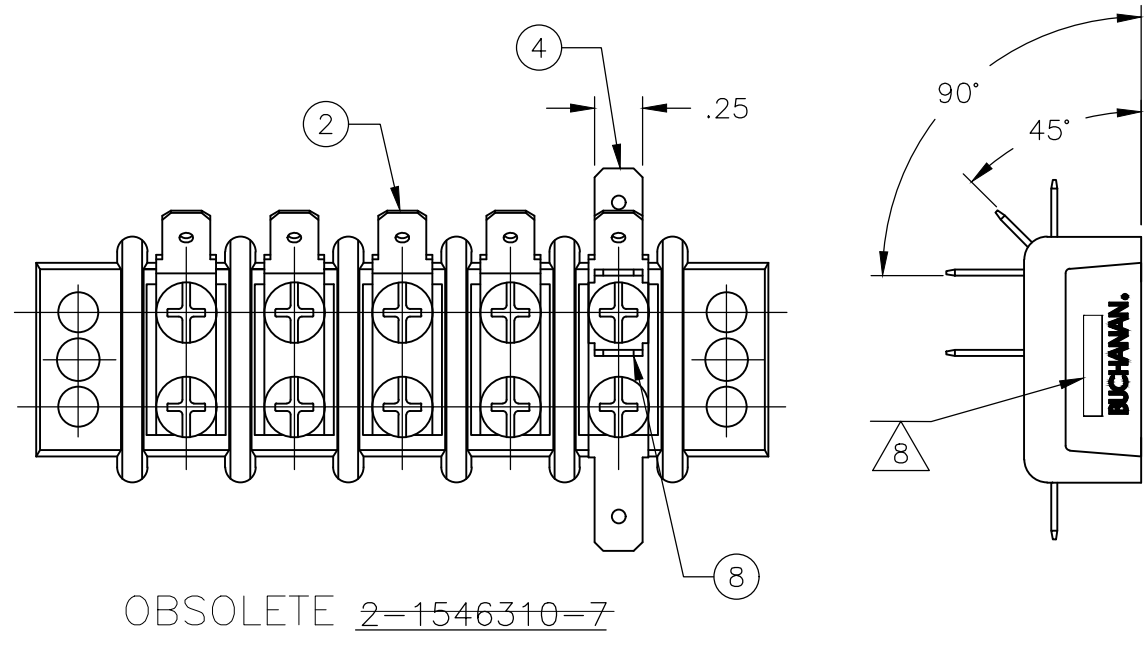
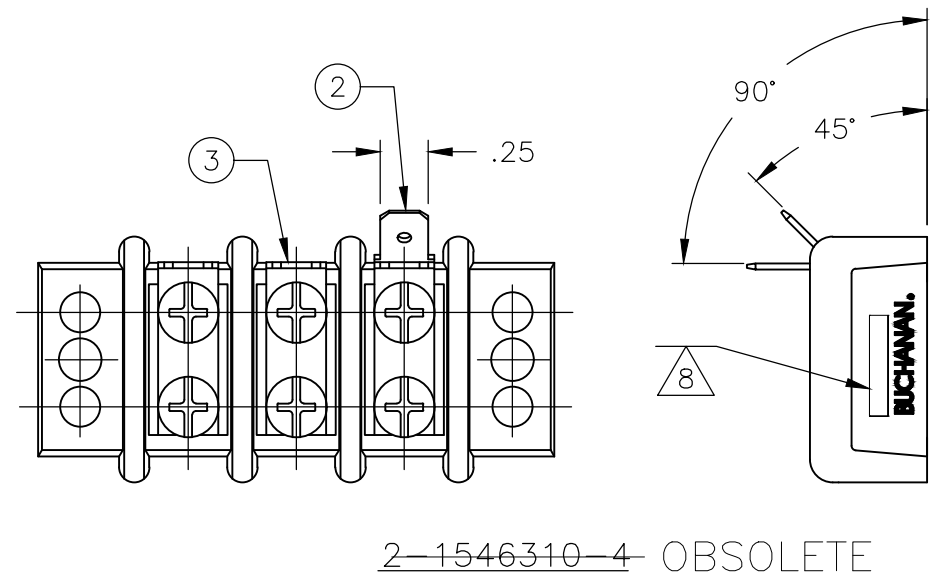
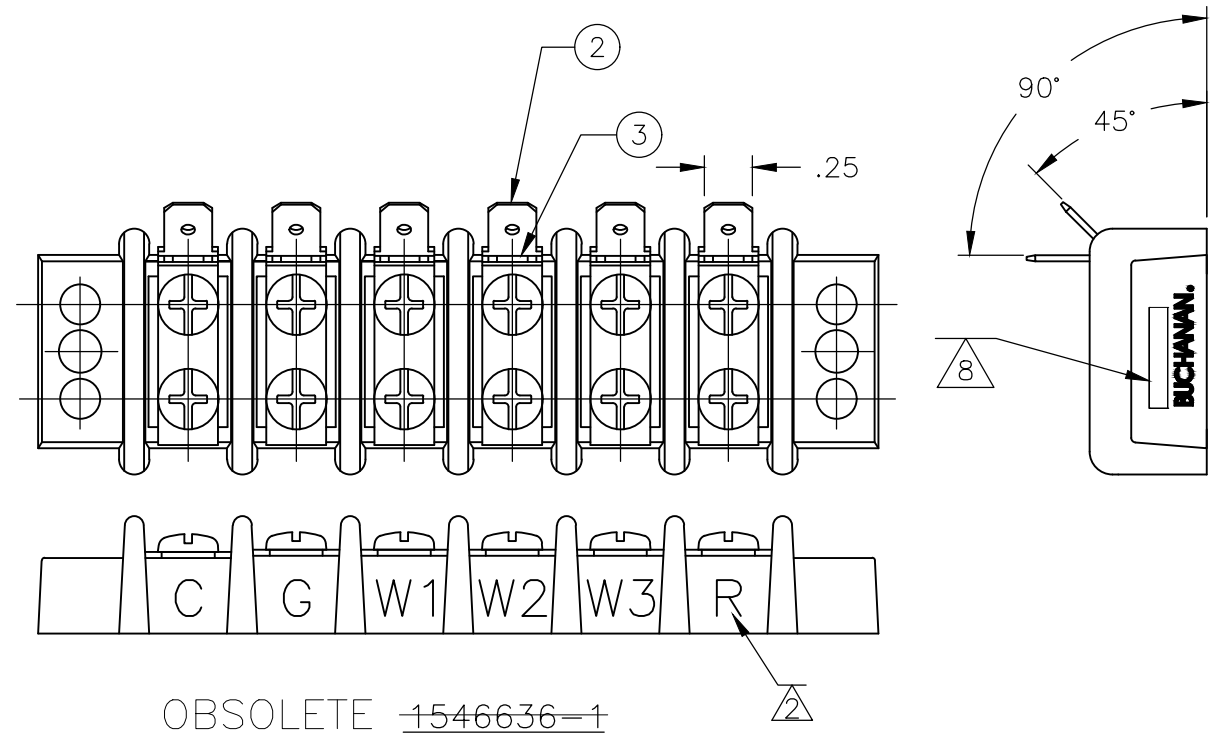
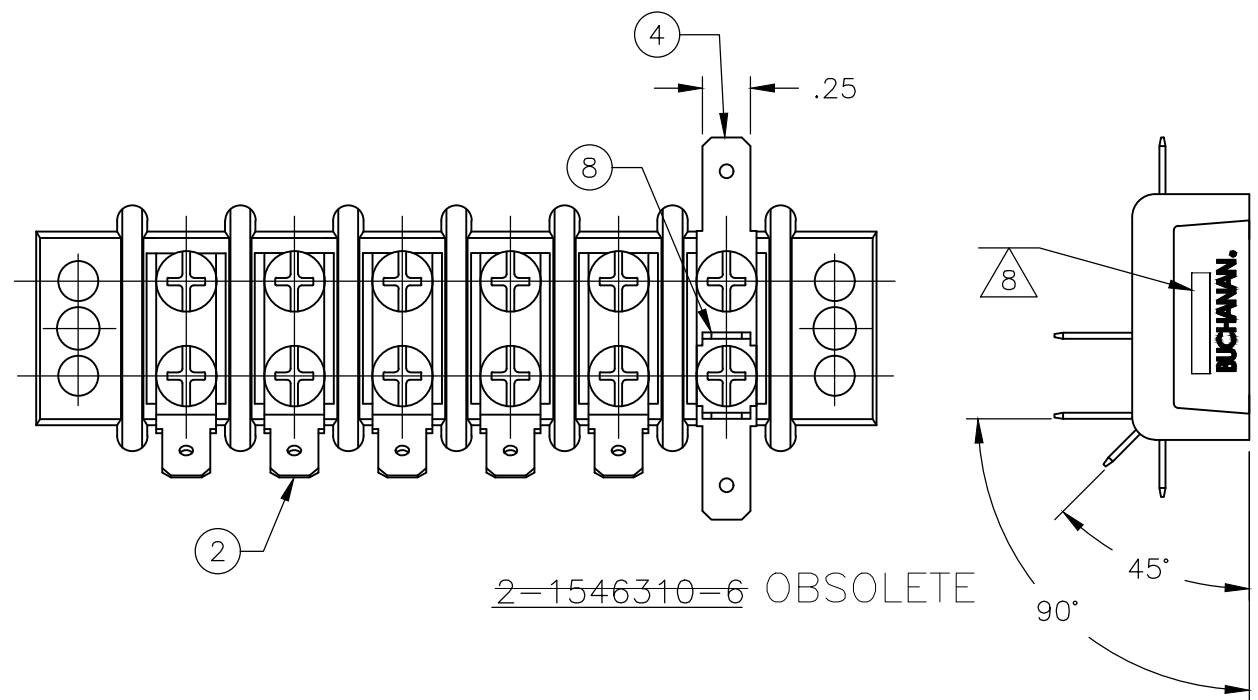
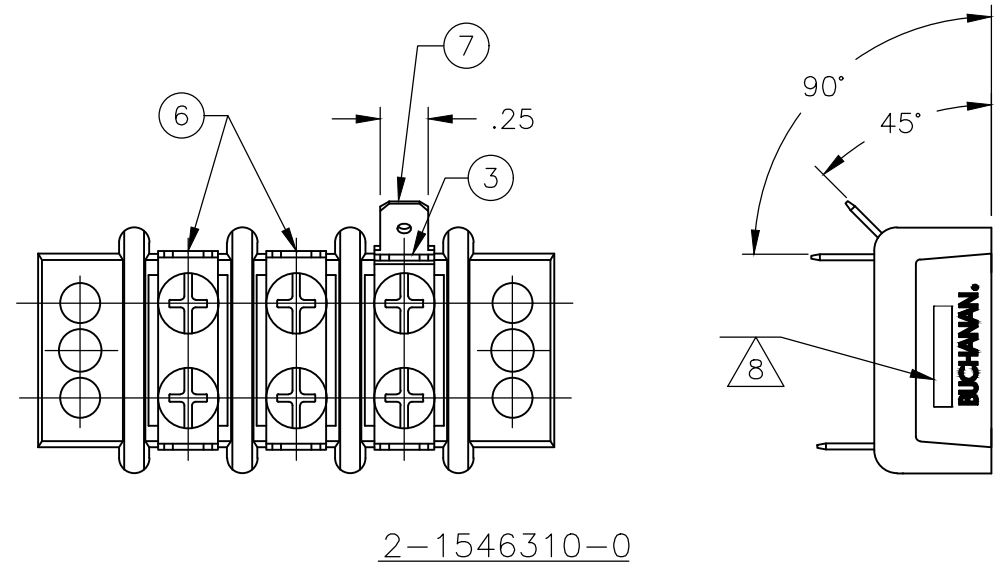
SIZE: A2, CAGE CODE: 00779, DRAWING NO: 1546310, RESTRICTED TO: -.

CUSTOMER DRAWING. SCALE: NTS. SHEET: 2 OF 4. REV: T5.

1546310

THIS DRAWING IS UNPUBLISHED. RELEASED FOR PUBLICATION
 © COPYRIGHT - By - ALL RIGHTS RESERVED.

REVISIONS					
P	LTR	DESCRIPTION	DATE	DWN	APVD
-	-	SEE SHEET 1	-	-	-

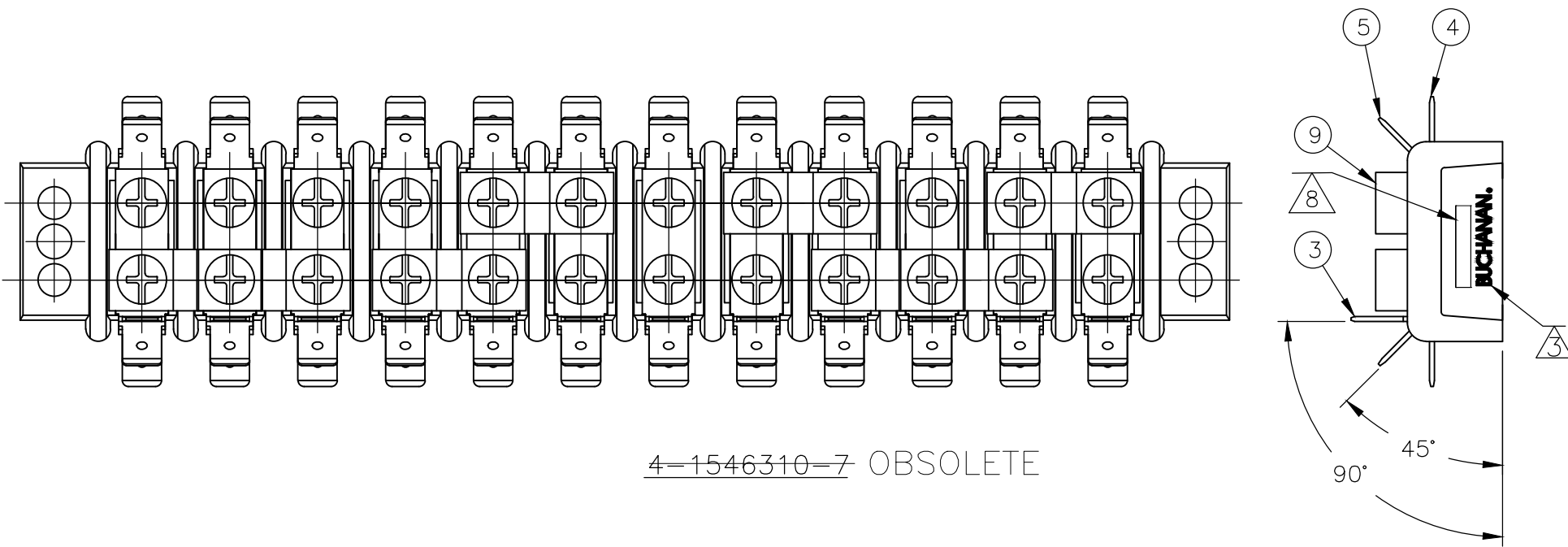


1546310

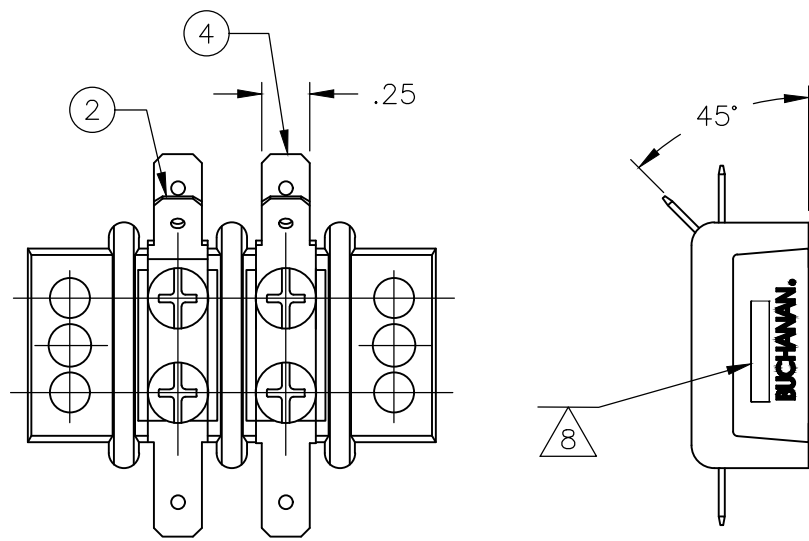
THIS DRAWING IS A CONTROLLED DOCUMENT.		DWN S SCHLEGEL 16FEB2007	TE Connectivity Ltd.	
DIMENSIONS: INCHES		CHK S YODER 2/16/07		
TOLERANCES UNLESS OTHERWISE SPECIFIED:		APVD S YODER 2/16/07	NAME 14.3 (.563) DBL ROW BARRIER STRIP W/O WASHER	
0 PLC ± - 1 PLC ± - 2 PLC ± - 3 PLC ± - 4 PLC ± - ANGLES ± -		PRODUCT SPEC -	SIZE A2	CAGE CODE 00779
MATERIAL -		FINISH -	DRAWING NO C=1546310	RESTRICTED TO -
CUSTOMER DRAWING		WEIGHT -	SCALE NTS	SHEET 3 OF 4
			REV T5	

THIS DRAWING IS UNPUBLISHED. RELEASED FOR PUBLICATION
 © COPYRIGHT - By - ALL RIGHTS RESERVED.

REVISIONS				
P	LTR	DESCRIPTION	DATE	APVD
-	-	SEE SHEET 1	-	-



4-1546310-7 OBSOLETE



5-1546310-1

THIS DRAWING IS A CONTROLLED DOCUMENT.		DWN 16FEB2007 S SCHLEGEL	TE Connectivity Ltd.																			
DIMENSIONS: INCHES		CHK 2/16/07 S YODER																				
TOLERANCES UNLESS OTHERWISE SPECIFIED:		APVD 2/16/07 S YODER	NAME 14.3 (.563) DBL ROW BARRIER STRIP W/O WASHER																			
<table border="0"> <tr><td>0 PLC</td><td>±</td><td>-</td></tr> <tr><td>1 PLC</td><td>±</td><td>-</td></tr> <tr><td>2 PLC</td><td>±</td><td>-</td></tr> <tr><td>3 PLC</td><td>±</td><td>-</td></tr> <tr><td>4 PLC</td><td>±</td><td>-</td></tr> <tr><td>ANGLES</td><td>±</td><td>-</td></tr> </table>		0 PLC	±	-	1 PLC	±	-	2 PLC	±	-	3 PLC	±	-	4 PLC	±	-	ANGLES	±	-	PRODUCT SPEC	SIZE CAGE CODE DRAWING NO RESTRICTED TO	
0 PLC	±	-																				
1 PLC	±	-																				
2 PLC	±	-																				
3 PLC	±	-																				
4 PLC	±	-																				
ANGLES	±	-																				
MATERIAL		APPLICATION SPEC	A2 00779 C=1546310																			
FINISH		WEIGHT	SCALE NTS SHEET 4 OF 4 REV T5																			
CUSTOMER DRAWING																						

Mouser Electronics

Authorized Distributor

Click to View Pricing, Inventory, Delivery & Lifecycle Information:

[TE Connectivity:](#)

[1546310-3](#)