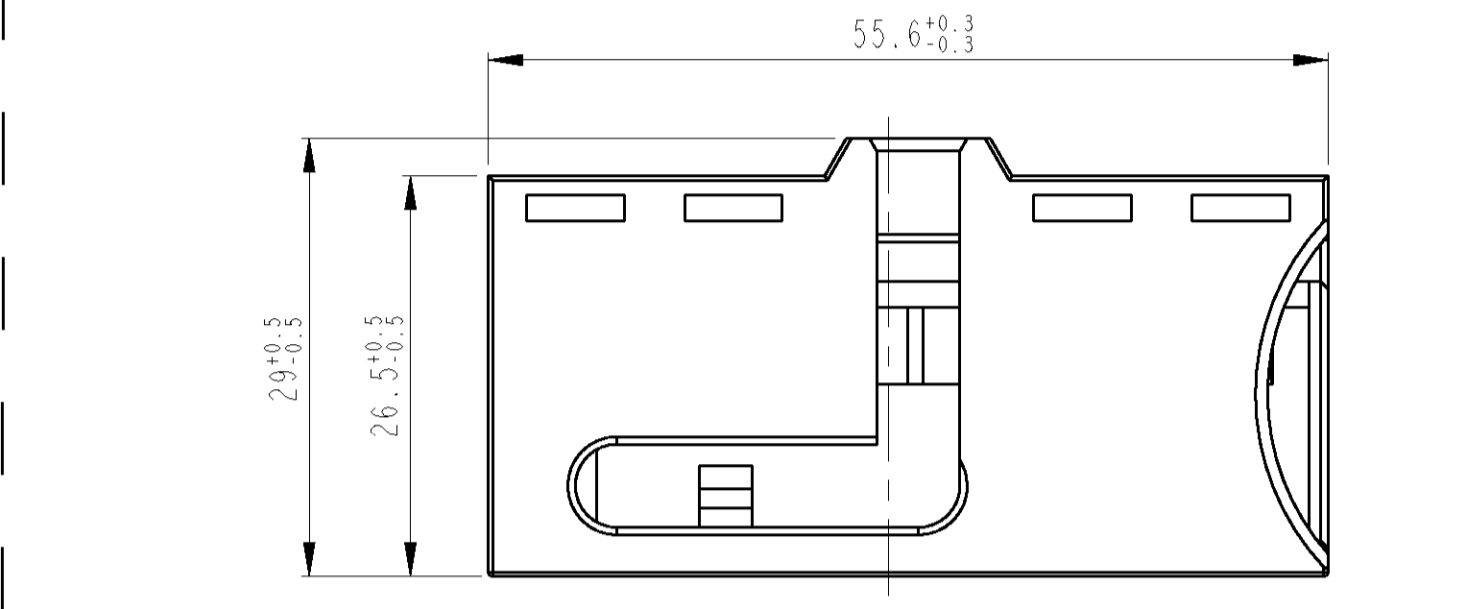
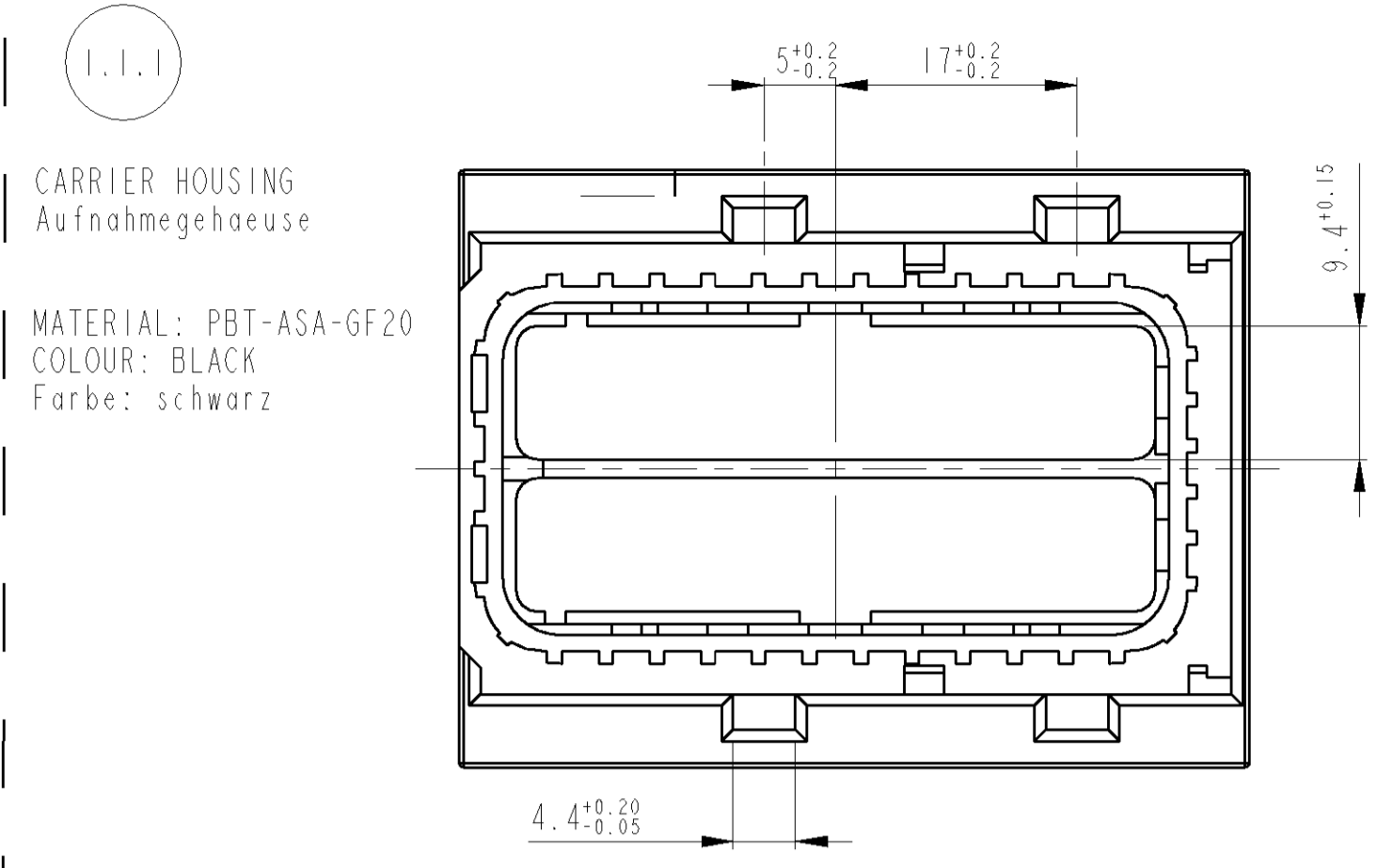
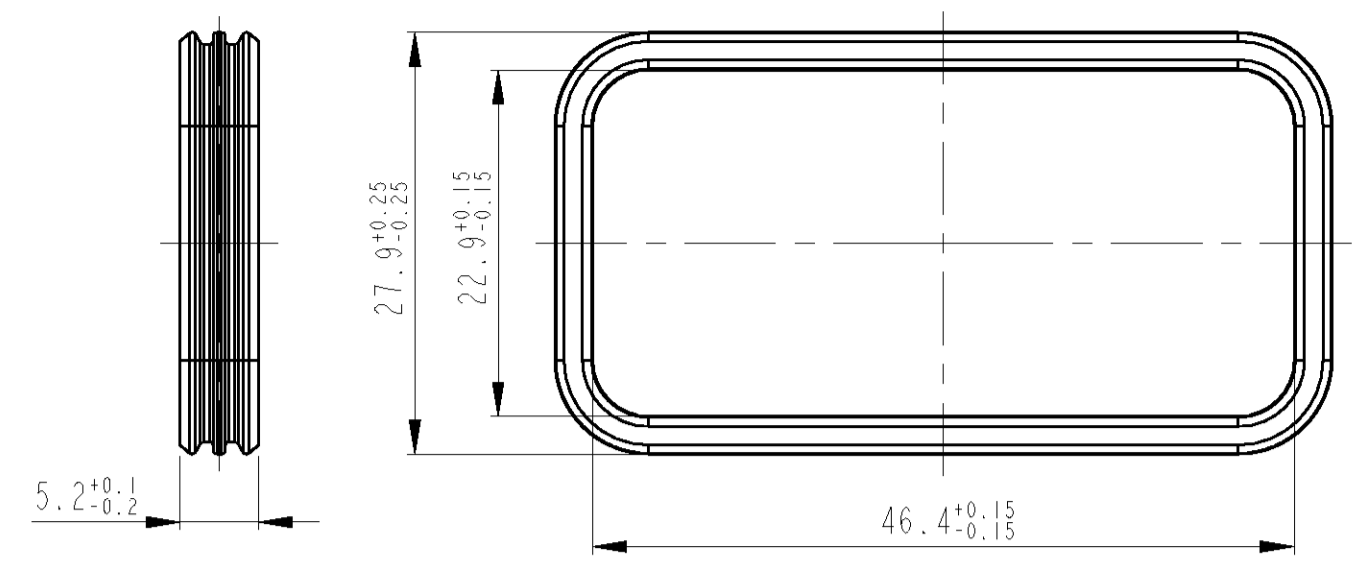


2-1355123-9	X	X	X	X	X	X	X	X
2-1355123-8	X	X	X	X	X	X	X	X
2-1355123-7	X	X	X	X	X	X	X	X
2-1355123-6	X	X	X	X	X	X	X	X
2-1355123-5	X	X	X	X	X	X	X	X
2-1355123-4	X	X	X	X	X	X	X	X
2-1355123-3	X	X	X	X	X	X	X	X
2-1355123-2	X	X	X	X	X	X	X	X
2-1355123-1	X	X	X	X	X	X	X	X
PART NO.	1	2	3	4	5	6	7	8
CODING								

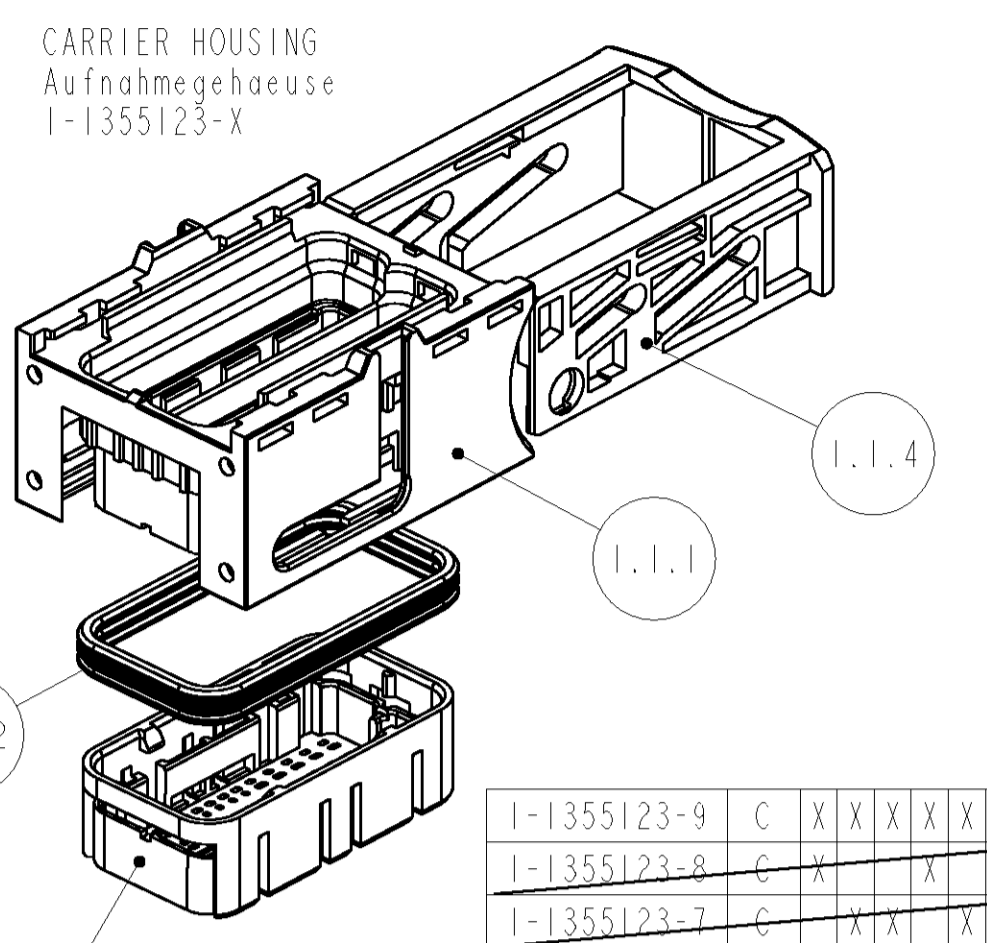


1.1.2

SEALING  
 Dichtung  
 MATERIAL: MVO  
 COLOUR: NATURE  
 Farbe: natur

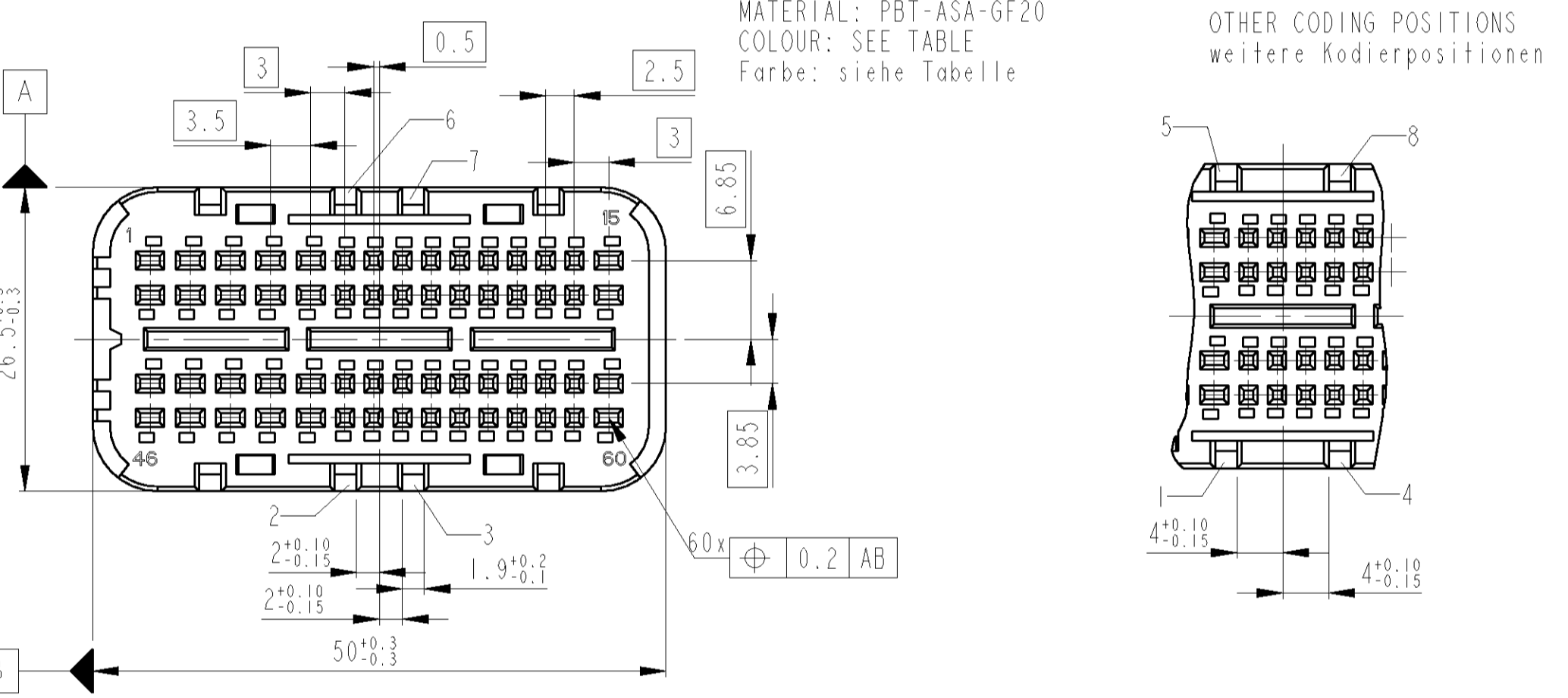
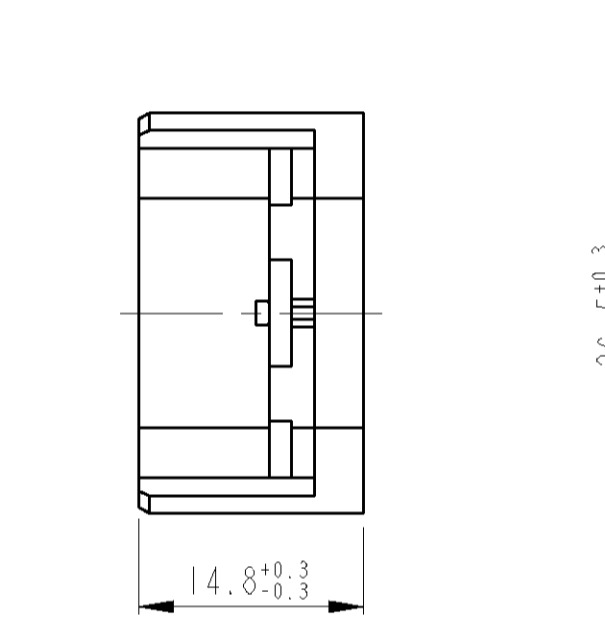


1.1



1-1355123-9	C	X	X	X	X	X	X	X	
1-1355123-8	C	X	X	X	X	X	X	X	
1-1355123-7	C	X	X	X	X	X	X	X	
1-1355123-6	C	X	X	X	X	X	X	X	
1-1355123-5	C	X	X	X	X	X	X	X	
1-1355123-4	C	X	X	X	X	X	X	X	
1-1355123-3	C	X	X	X	X	X	X	X	
1-1355123-2	C	X	X	X	X	X	X	X	
1-1355123-1	C	X	X	X	X	X	X	X	
PART NO.	REV.	1	2	3	4	5	6	7	8
CODING									

1.1.3 CAVITY BLOCK  
 Kammerblock

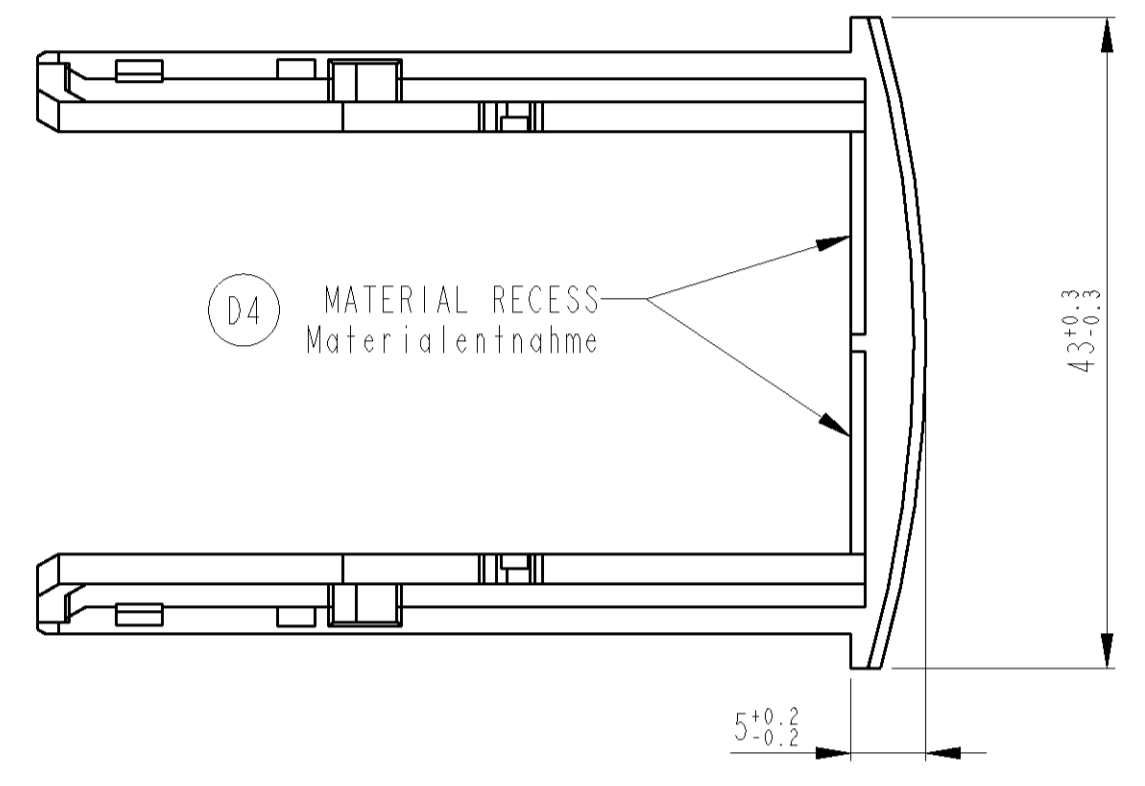


MATERIAL: PBT-ASA-GF20  
 COLOUR: SEE TABLE  
 Farbe: siehe Tabelle  
 OTHER CODING POSITIONS  
 weitere Kodierpositionen

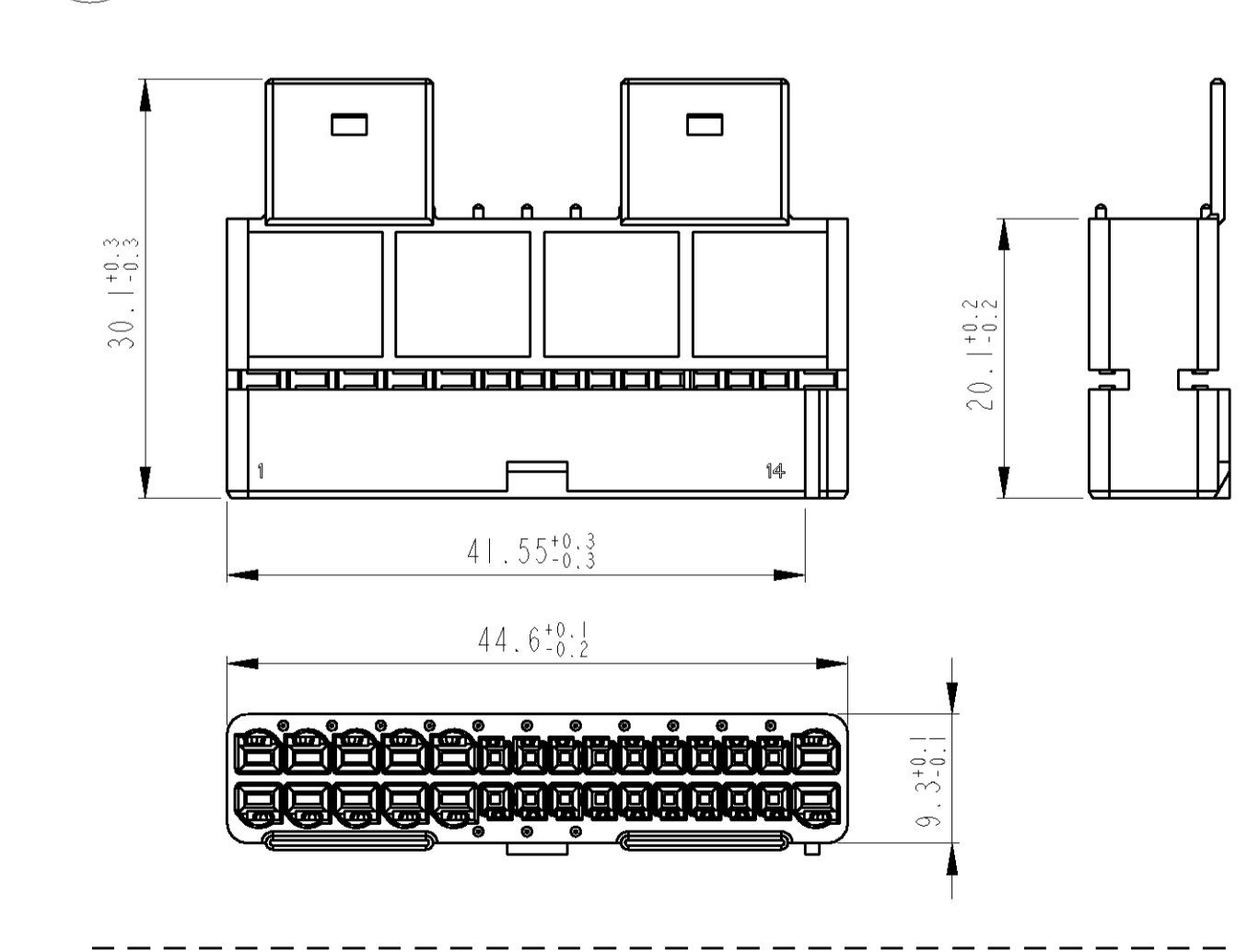
BLUE/blau	X	X	X	X	X	X	X	X
	X	X	X	X	X	X	X	X
	X	X	X	X	X	X	X	X
	X	X	X	X	X	X	X	X
BLACK/schwarz	X	X	X	X	X	X	X	X
	X	X	X	X	X	X	X	X
	X	X	X	X	X	X	X	X
COLOUR Farbe	1	2	3	4	5	6	7	8
CODING								

1.1.4 SLIDE  
 Schieber

MATERIAL: PA66-GF33  
 COLOUR: BLACK  
 Farbe: schwarz

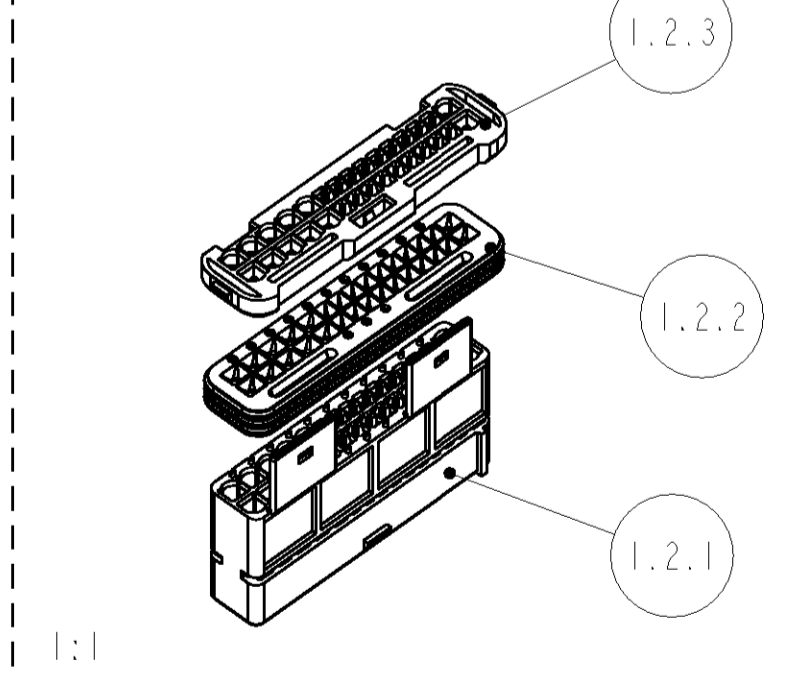


1.2.1 RECEPTACLE HOUSING COD. A  
 Buchsengehäuse Kod. A

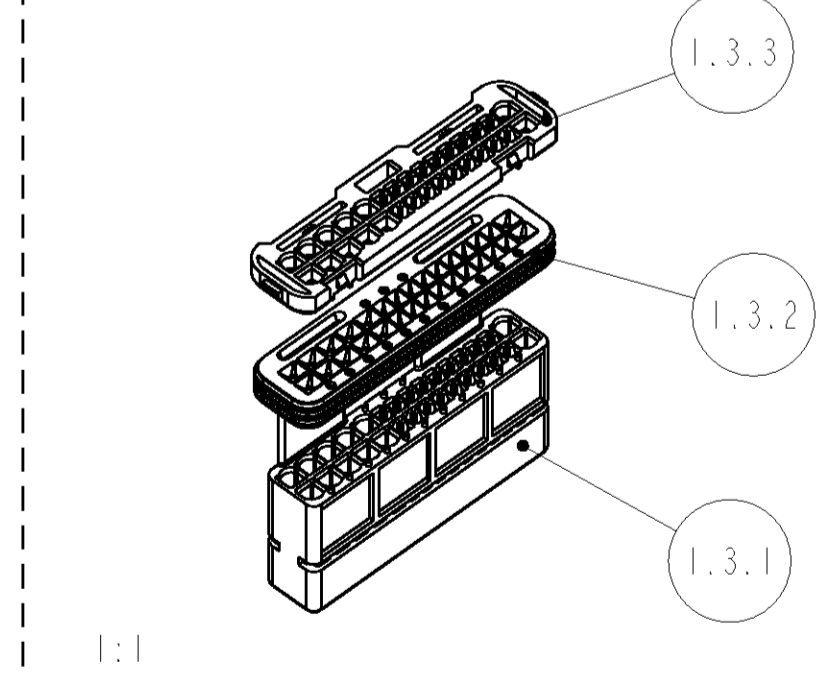


MATERIAL: PA66-GF25  
 COLOUR: BLACK  
 Farbe: schwarz

1.3 CONTACT MODUL A  
 Kontaktmodul A  
 1394914-1 Rev. D

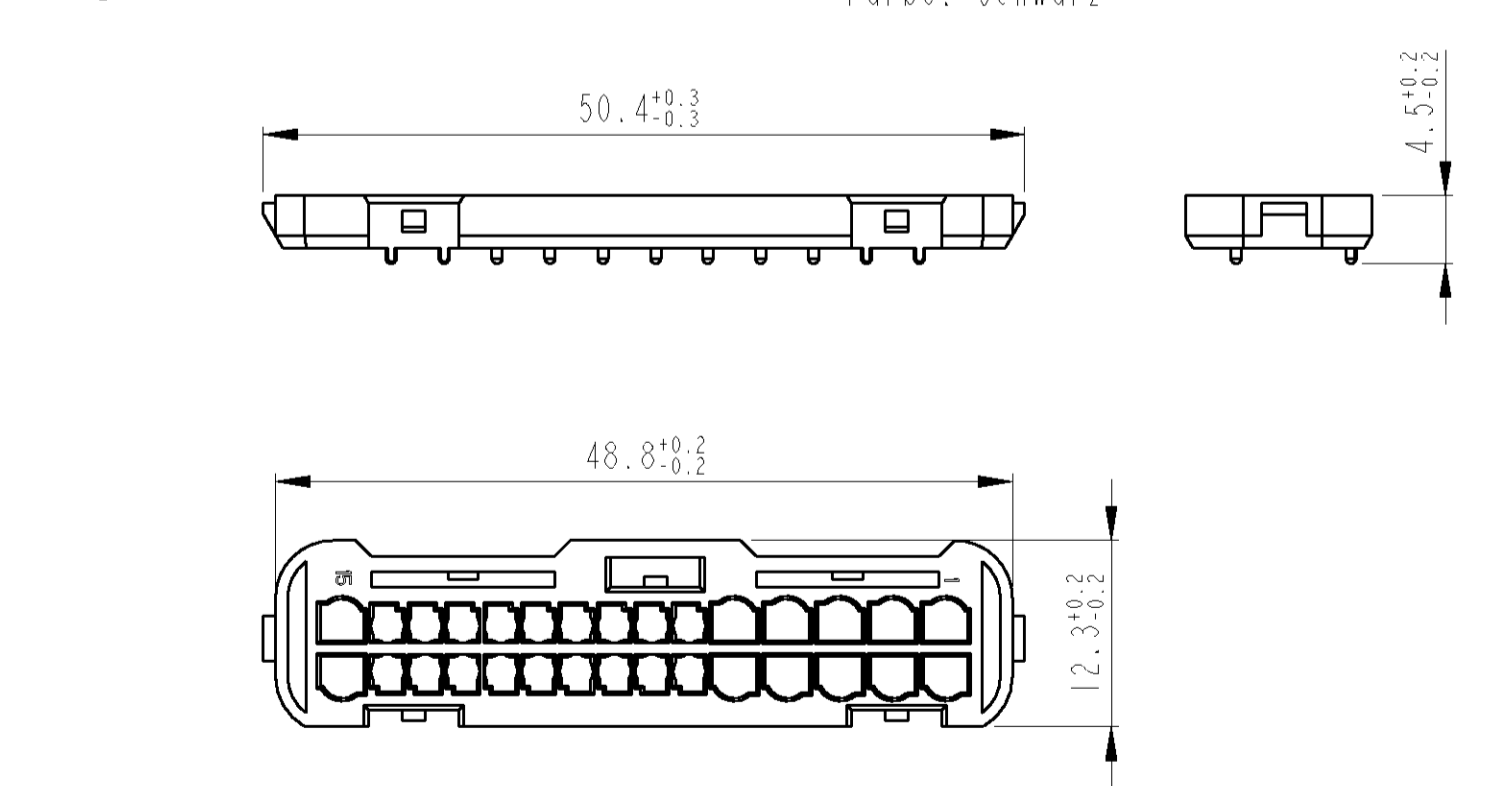


1.2 CONTACT MODUL B  
 Kontaktmodul B  
 1394914-2 Rev. D



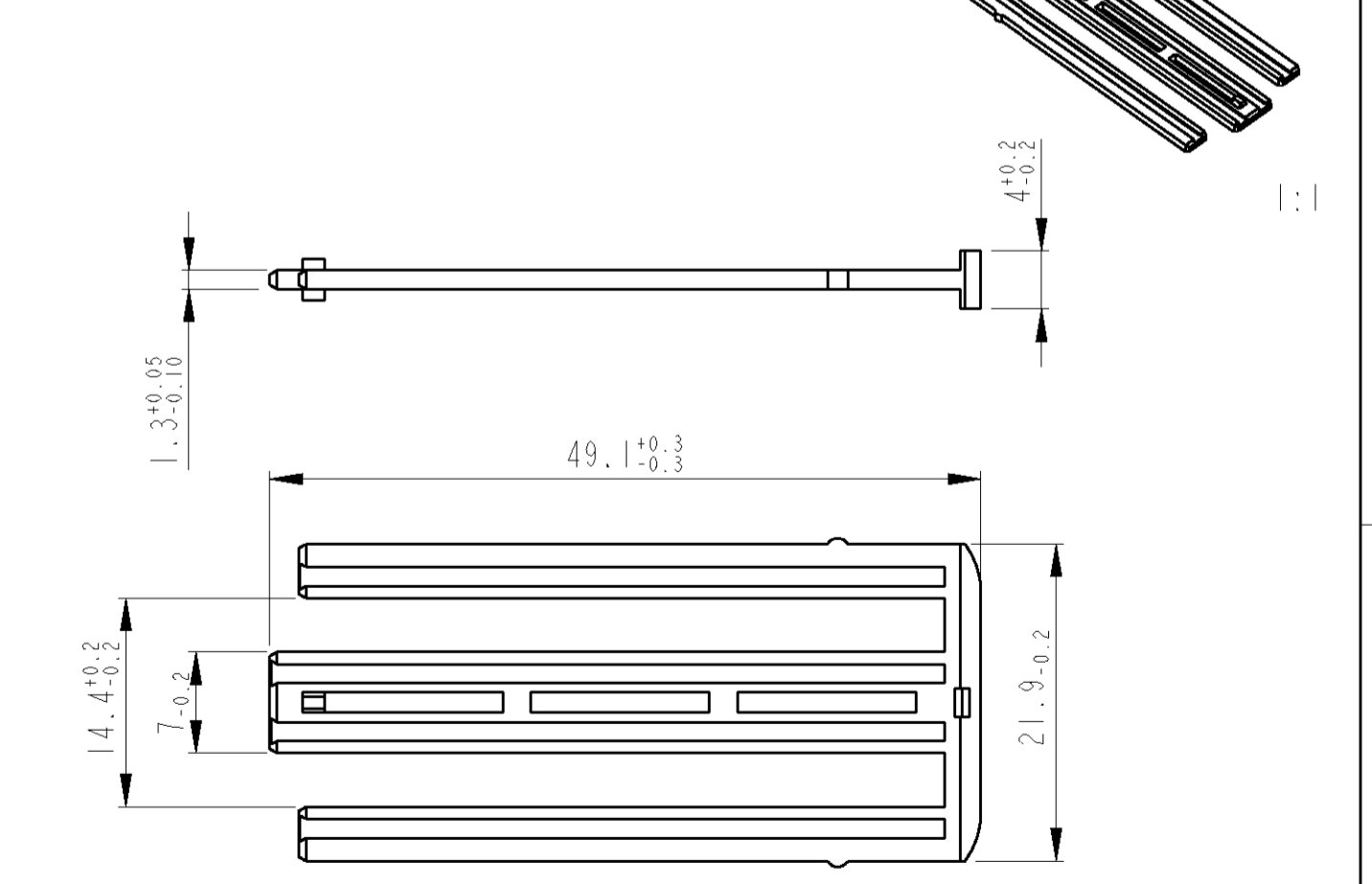
1.2.3 SEALING-HOLDER A  
 Dichtungshalter A

MATERIAL: PA66-GF13  
 COLOUR: BLACK  
 Farbe: schwarz

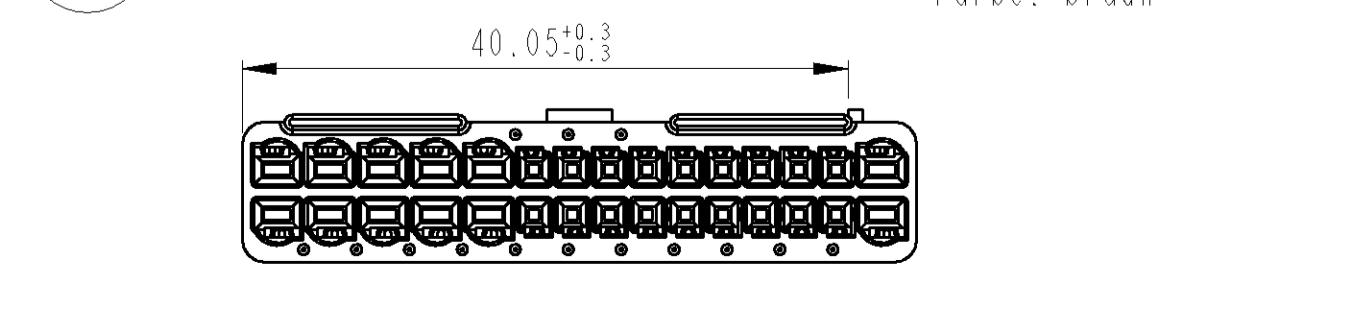


2 RETAINER  
 Halter  
 1-1355118-1

MATERIAL: PA66-GF30  
 COLOUR: VIOLET  
 Farbe: violett



1.3.1 RECEPTACLE HOUSING COD. B  
 Buchsengehäuse Kod. B

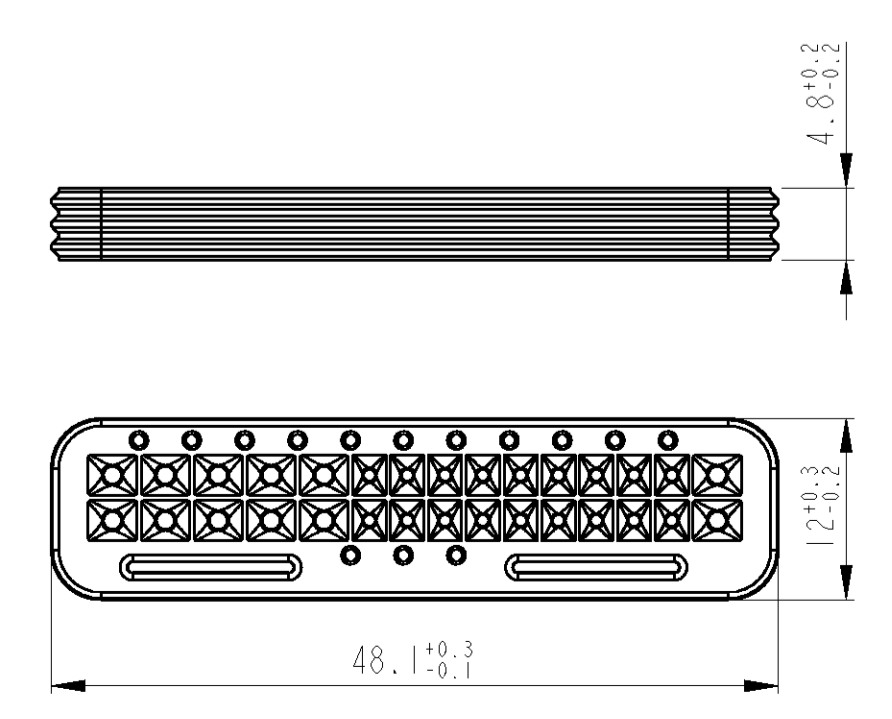


MATERIAL: PA66-GF25  
 COLOUR: BROWN  
 Farbe: braun

1.2.2 1.3.2

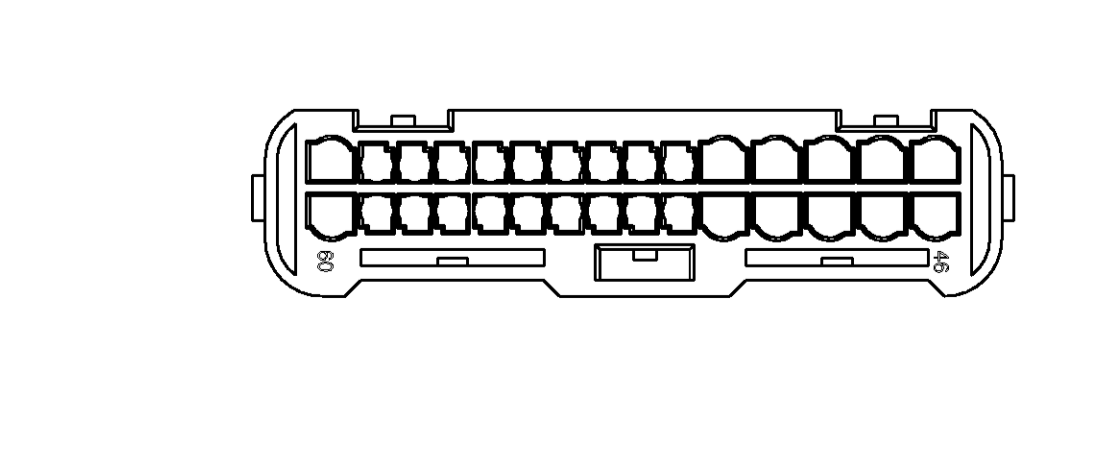
SEALING  
 Sammeldichtung

MATERIAL: MVO  
 COLOUR: REDBROWN  
 Farbe: rotbraun



1.3.3 SEALING-HOLDER B  
 Dichtungshalter B

MATERIAL: PA66-GF13  
 COLOUR: BROWN  
 Farbe: braun

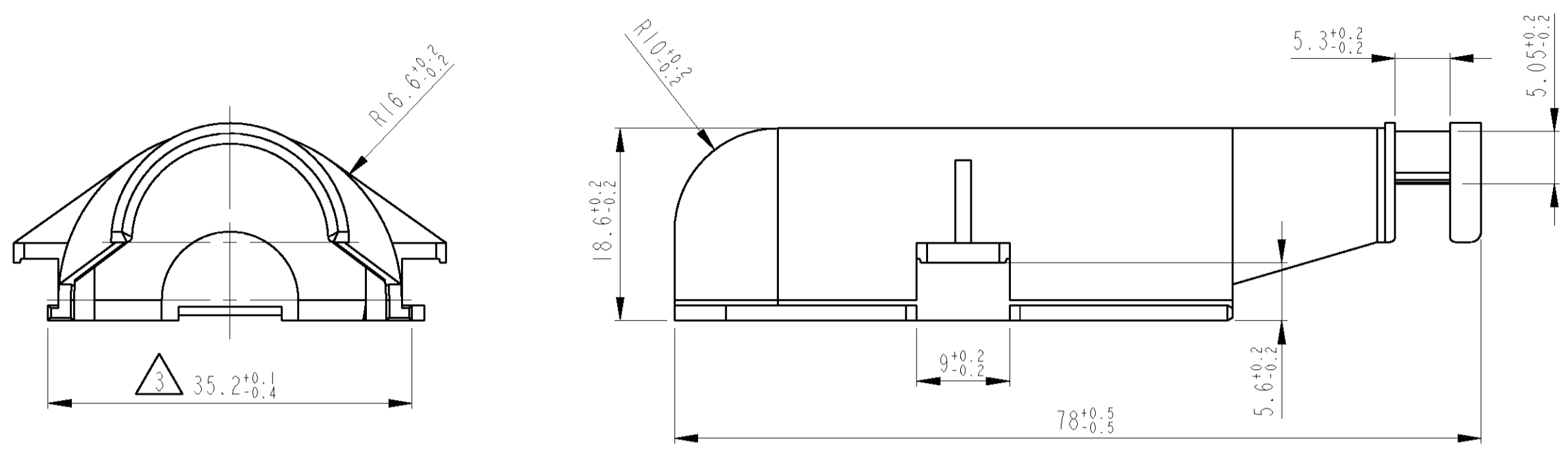


DIMENSIONS: MASSEINHEITEN: TITEL		TOLERANCES UNLESS OTHERWISE SPECIFIED: ALLE DIMENSIONEN		DWN B. Sellien 140RT2002	
MATERIAL		FINISH/OBERFLÄCHE/FARBE		CHK B. Leonhardt 140RT2002	
1. PLC		2. PLC		3. PLC	
4. PLC		5. PLC		6. PLC	
7. PLC		8. PLC		9. PLC	
10. PLC		11. PLC		12. PLC	
13. PLC		14. PLC		15. PLC	
16. PLC		17. PLC		18. PLC	
19. PLC		20. PLC		21. PLC	
22. PLC		23. PLC		24. PLC	
25. PLC		26. PLC		27. PLC	
28. PLC		29. PLC		30. PLC	
31. PLC		32. PLC		33. PLC	
34. PLC		35. PLC		36. PLC	
37. PLC		38. PLC		39. PLC	
40. PLC		41. PLC		42. PLC	
43. PLC		44. PLC		45. PLC	
46. PLC		47. PLC		48. PLC	
49. PLC		50. PLC		51. PLC	
52. PLC		53. PLC		54. PLC	
55. PLC		56. PLC		57. PLC	
58. PLC		59. PLC		60. PLC	
61. PLC		62. PLC		63. PLC	
64. PLC		65. PLC		66. PLC	
67. PLC		68. PLC		69. PLC	
70. PLC		71. PLC		72. PLC	
73. PLC		74. PLC		75. PLC	
76. PLC		77. PLC		78. PLC	
79. PLC		80. PLC		81. PLC	
82. PLC		83. PLC		84. PLC	
85. PLC		86. PLC		87. PLC	
88. PLC		89. PLC		90. PLC	
91. PLC		92. PLC		93. PLC	
94. PLC		95. PLC		96. PLC	
97. PLC		98. PLC		99. PLC	
100. PLC		101. PLC		102. PLC	
103. PLC		104. PLC		105. PLC	
106. PLC		107. PLC		108. PLC	
109. PLC		110. PLC		111. PLC	
112. PLC		113. PLC		114. PLC	
115. PLC		116. PLC		117. PLC	
118. PLC		119. PLC		120. PLC	
121. PLC		122. PLC		123. PLC	
124. PLC		125. PLC		126. PLC	
127. PLC		128. PLC		129. PLC	
130. PLC		131. PLC		132. PLC	
133. PLC		134. PLC		135. PLC	
136. PLC		137. PLC		138. PLC	
139. PLC		140. PLC		141. PLC	
142. PLC		143. PLC		144. PLC	
145. PLC		146. PLC		147. PLC	
148. PLC		149. PLC		150. PLC	
151. PLC		152. PLC		153. PLC	
154. PLC		155. PLC		156. PLC	
157. PLC		158. PLC		159. PLC	
160. PLC		161. PLC		162. PLC	
163. PLC		164. PLC		165. PLC	
166. PLC		167. PLC		168. PLC	
169. PLC		170. PLC		171. PLC	
172. PLC		173. PLC		174. PLC	
175. PLC		176. PLC		177. PLC	
178. PLC		179. PLC		180. PLC	
181. PLC		182. PLC		183. PLC	
184. PLC		185. PLC		186. PLC	
187. PLC		188. PLC		189. PLC	
190. PLC		191. PLC		192. PLC	
193. PLC		194. PLC		195. PLC	
196. PLC		197. PLC		198. PLC	
199. PLC		200. PLC		201. PLC	
202. PLC		203. PLC		204. PLC	
205. PLC		206. PLC		207. PLC	
208. PLC		209. PLC		210. PLC	
211. PLC		212. PLC		213. PLC	
214. PLC		215. PLC		216. PLC	
217. PLC		218. PLC		219. PLC	
220. PLC		221. PLC		222. PLC	
223. PLC		224. PLC		225. PLC	
226. PLC		227. PLC		228. PLC	
229. PLC		230. PLC		231. PLC	
232. PLC		233. PLC		234. PLC	
235. PLC		236. PLC		237. PLC	
238. PLC		239. PLC		240. PLC	
241. PLC		242. PLC		243. PLC	
244. PLC		245. PLC		246. PLC	
247. PLC		248. PLC		249. PLC	
250. PLC		251. PLC		252. PLC	
253. PLC		254. PLC		255. PLC	
256. PLC		257. PLC		258. PLC	
259. PLC		260. PLC		261. PLC	
262. PLC		263. PLC		264. PLC	
265. PLC		266. PLC		267. PLC	
268. PLC		269. PLC		270. PLC	
271. PLC		272. PLC		273. PLC	
274. PLC		275. PLC		276. PLC	
277. PLC		278. PLC		279. PLC	
280. PLC		281. PLC		282. PLC	
283. PLC		284. PLC		285. PLC	
286. PLC		287. PLC		288. PLC	
289. PLC		290. PLC		291. PLC	
292. PLC		293. PLC		294. PLC	
295. PLC		296. PLC		297. PLC	
298. PLC		299. PLC		300. PLC	
301. PLC		302. PLC		303. PLC	
304. PLC		305. PLC		306. PLC	
307. PLC		308. PLC		309. PLC	
310. PLC		311. PLC		312. PLC	
313. PLC		314. PLC		315. PLC	
316. PLC		317. PLC		318. PLC	
319. PLC		320. PLC		321. PLC	
322. PLC		323. PLC		324. PLC	
325. PLC		326. PLC		327. PLC	
328. PLC		329. PLC		330. PLC	
331. PLC		332. PLC		333. PLC	
334. PLC		335. PLC		336. PLC	
337. PLC		338. PLC		339. PLC	
340. PLC		341. PLC		342. PLC	
343. PLC		344. PLC		345. PLC	
346. PLC		347. PLC		348. PLC	
349. PLC		350. PLC		351. PLC	
352. PLC		353. PLC		354. PLC	
355. PLC		356. PLC		357. PLC	
358. PLC		359. PLC		360. PLC	
361. PLC		362. PLC		363. PLC	
364. PLC		365. PLC		366. PLC	
367. PLC		368. PLC		369. PLC	
370. PLC		371. PLC		372. PLC	
373. PLC		374. PLC		375. PLC	
376. PLC		377. PLC		378. PLC	
379. PLC		380. PLC		381. PLC	
382. PLC		383. PLC		384. PLC	
385. PLC		386. PLC		387. PLC	
388. PLC		389. PLC		390. PLC	
391. PLC		392. PLC		393. PLC	
394. PLC		395. PLC		396. PLC	
397. PLC		398. PLC		399. PLC	
400. PLC		401. PLC		402. PLC	
403. PLC		404. PLC		405. PLC	
406. PLC		407. PLC		408. PLC	
409. PLC		410. PLC		411. PLC	
412. PLC		413. PLC		414. PLC	
415. PLC		416. PLC		417. PLC	
418. PLC		419. PLC		420. PLC	
421. PLC		422. PLC		423. PLC	
424. PLC		425. PLC		426. PLC	
427. PLC		428. PLC		429. PLC	
430. PLC		431. PLC		432. PLC	
433. PLC		434. PLC		435. PLC	
436. PLC		437. PLC		438. PLC	
439. PLC		440. PLC		441. PLC	
442. PLC		443. PLC		444. PLC	
445. PLC		446. PLC		447. PLC	
448. PLC		449. PLC		450. PLC	
451. PLC		452. PLC		453. PLC	
454. PLC		455. PLC		456. PLC	
457. PLC		458. PLC		459. PLC	
460. PLC		461. PLC		462. PLC	
463. PLC		464. PLC		465. PLC	
466. PLC		467. PLC		468. PLC	
469. PLC		470. PLC		471. PLC	
472. PLC		473. PLC		474. PLC	
475. PLC		476. PLC		477. PLC	
478. PLC		479. PLC		480. PLC	
481. PLC		482. PLC		483. PLC	
484. PLC		485. PLC		486. PLC	
487. PLC		488. PLC		489. PLC	
490. PLC		491. PLC		492. PLC	
493. PLC		494. PLC		495. PLC	
496. PLC		497. PLC		498. PLC	
499. PLC		500. PLC		501. PLC	
502. PLC		503. PLC		504. PLC	
505. PLC		506. PLC		507. PLC	
508. PLC		509. PLC		510. PLC	
511. PLC		512. PLC		513. PLC	
514. PLC		515. PLC			

LOC	DIST	P	LTR	REVISIONS	DATE	DWN	APVD
A1	-	-	-	AENDERUNGEN	-	-	-
PROJEKT NR.: EGART0024				DESCRIPTION			
				BESCHREIBUNG	SEE SHEET 1		

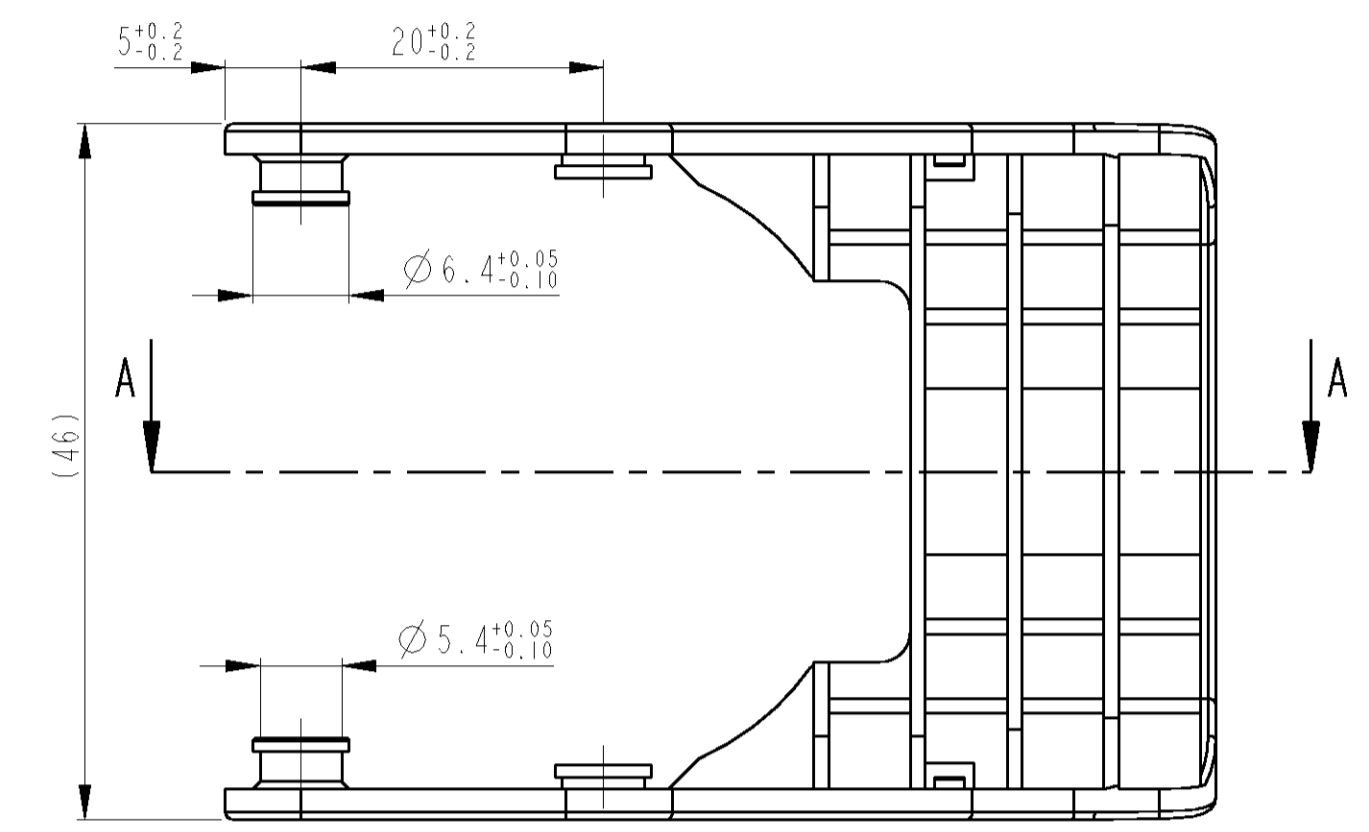
③ SHIELD, 90°  
 Abdeckkappe, 90°  
 1-1355122-2

MATERIAL: PA66-GF13  
 COLOUR: BLACK  
 Farbe: schwarz



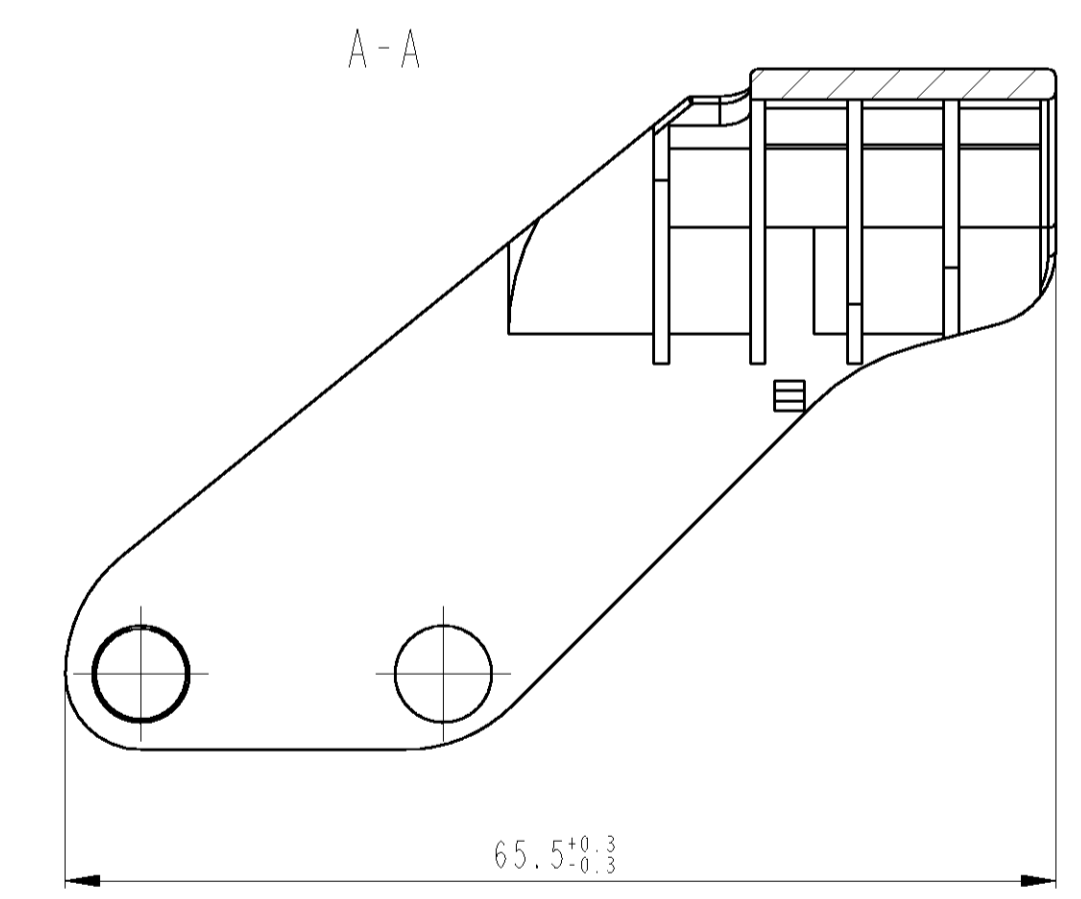
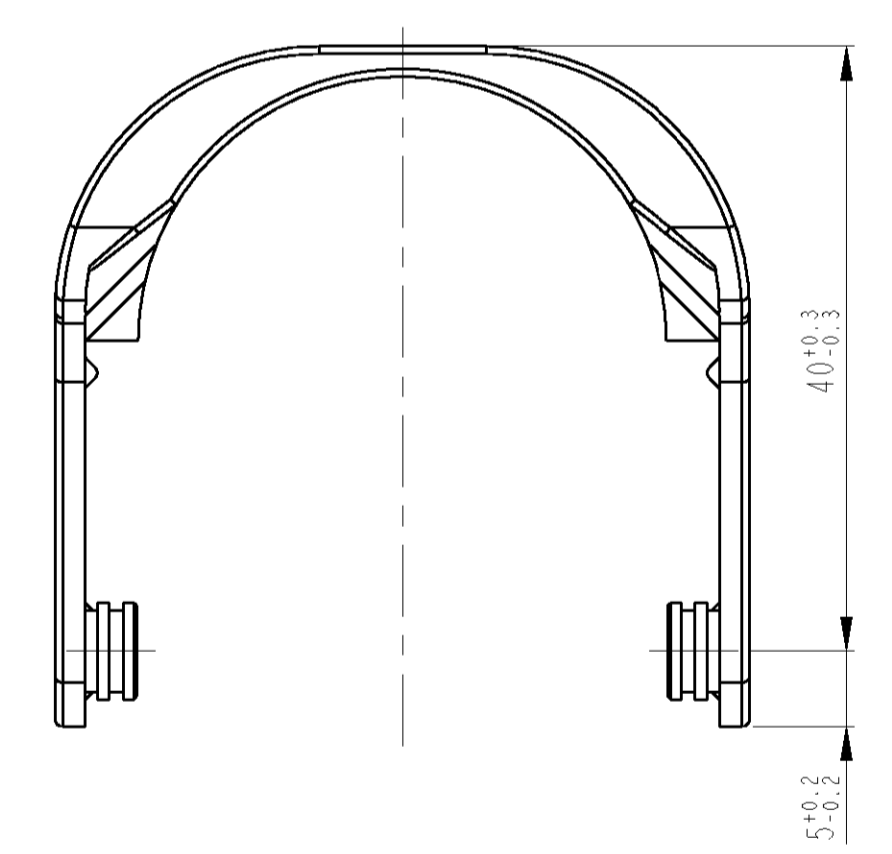
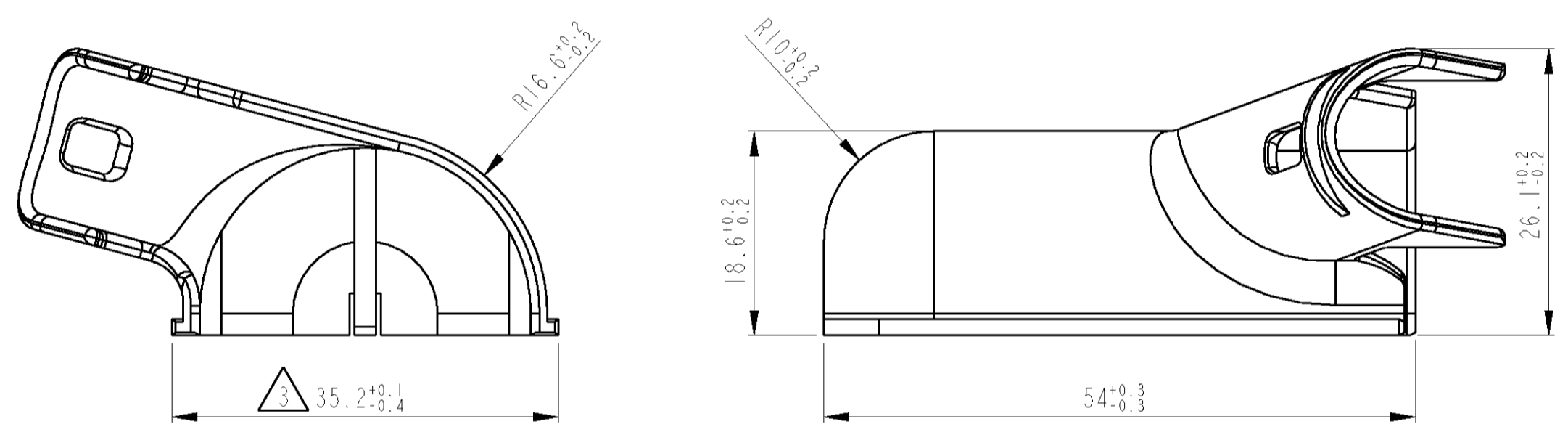
⑥ LEVER FOR RECEPTACLE HOUSING  
 Hebel fuer Aufnahmegehaeuse  
 1-1355133-1

MATERIAL: PA66-GF30  
 COLOUR: BLACK  
 Farbe: schwarz



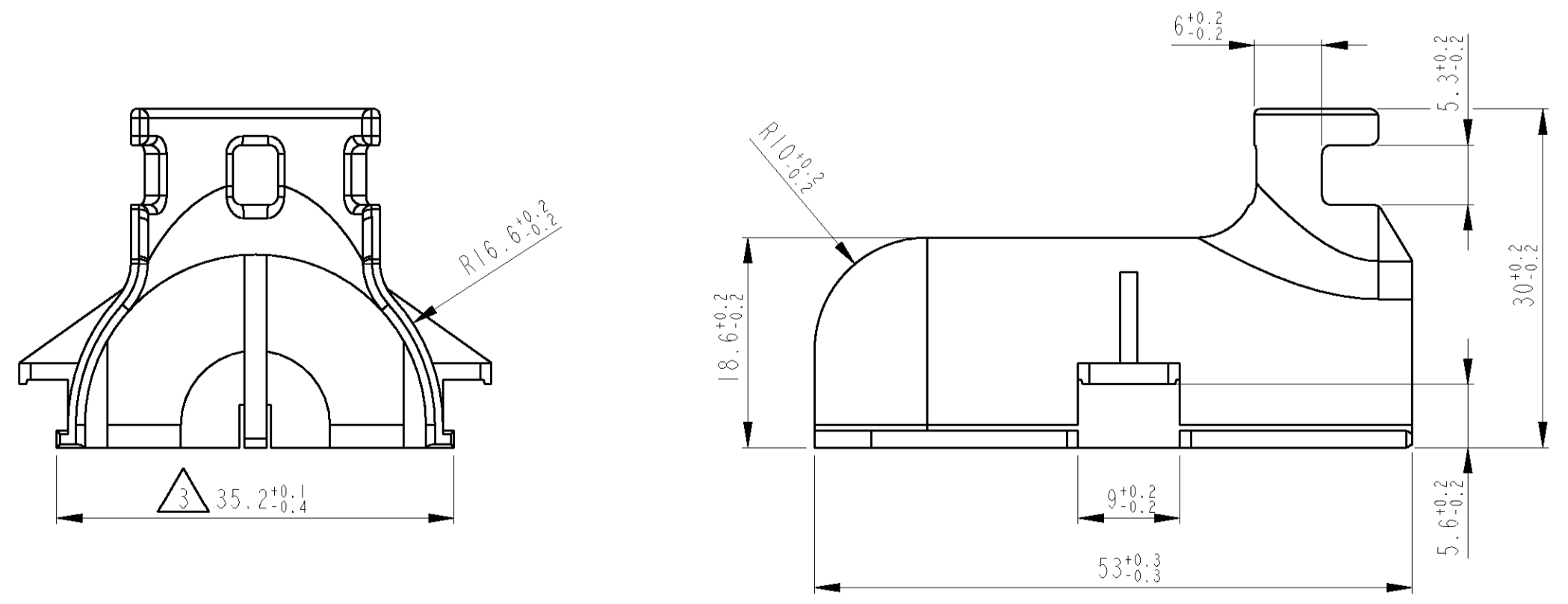
④ SHIELD, 45°  
 Abdeckkappe, 45°  
 1394910-2

MATERIAL: PA66-GF13  
 COLOUR: BLACK  
 Farbe: schwarz



⑤ SHIELD, 180°  
 Abdeckkappe, 180°  
 1394908-3

MATERIAL: PA66-GF13  
 COLOUR: BLACK  
 Farbe: schwarz



DIMENSIONS: MASSEINHEITEN: TITEL		TOLERANCES UNLESS OTHERWISE SPECIFIED: ALLSEITE INTOLERANZEN		DWN B. Sellien 140RT2002		EAK B. Leonhardi 140RT2002		APVD		NAME	
		ACC. TO 1. PLC ± DIN 16901-140 2. PLC ± CENTRIC TO 3. PLC ± NOMINAL DIM FINISH/OBERFLAECHE/FARBE		PRODUCT SPEC 108-18829 APPLICATION SPEC. 114-18521		SIZE 00779		DRAWING NO. 1534903		RESTRICTED TO NUR FÜR	
MATERIAL		FINISH/OBERFLAECHE/FARBE		WEIGHT GEWICHT		CUSTOMER DRAWING		/KUNDENZEICHNUNG		SCALE MASSSTAB 2:1	
								SHEET BLATT 3		OF VON 3	
										REV D6	



CONNECTOR HOUSING., 60 POSN.  
 Steckverbindergehaeuse., 60pol.  
 MQS + 1.5mm Clean Body Contacts

# Mouser Electronics

Authorized Distributor

Click to View Pricing, Inventory, Delivery & Lifecycle Information:

[TE Connectivity:](#)

[3-1534903-5](#)