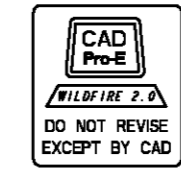
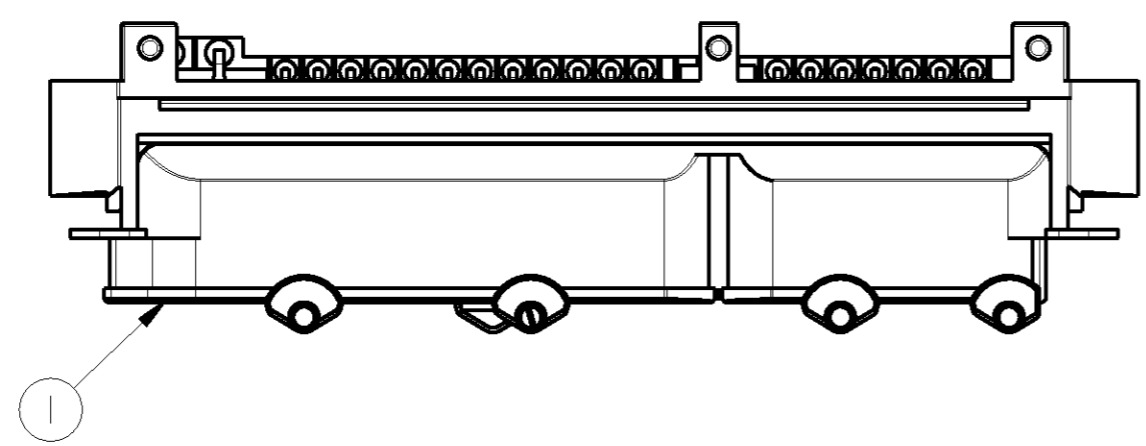
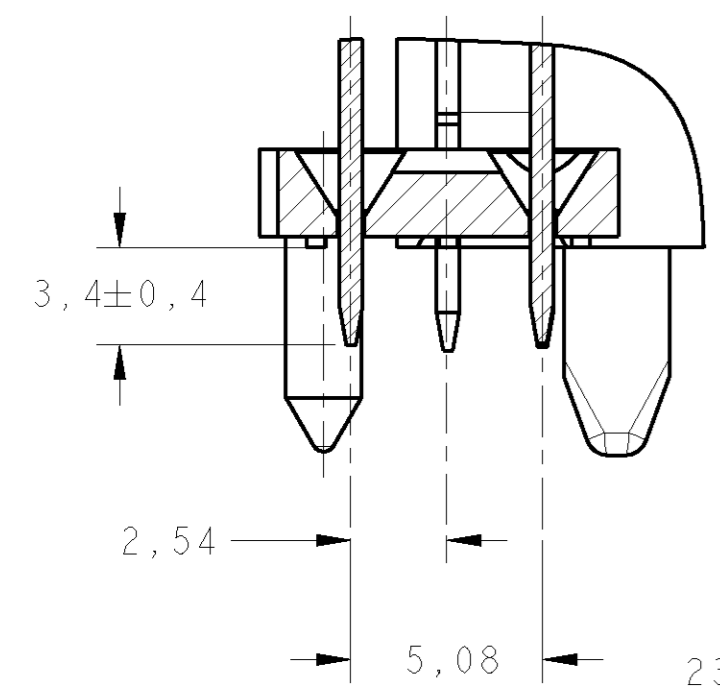


THIS DRAWING IS UNPUBLISHED. RELEASED FOR PUBLICATION
 © COPYRIGHT 20 BY TYCO ELECTRONICS CORPORATION. ALL RIGHTS RESERVED.

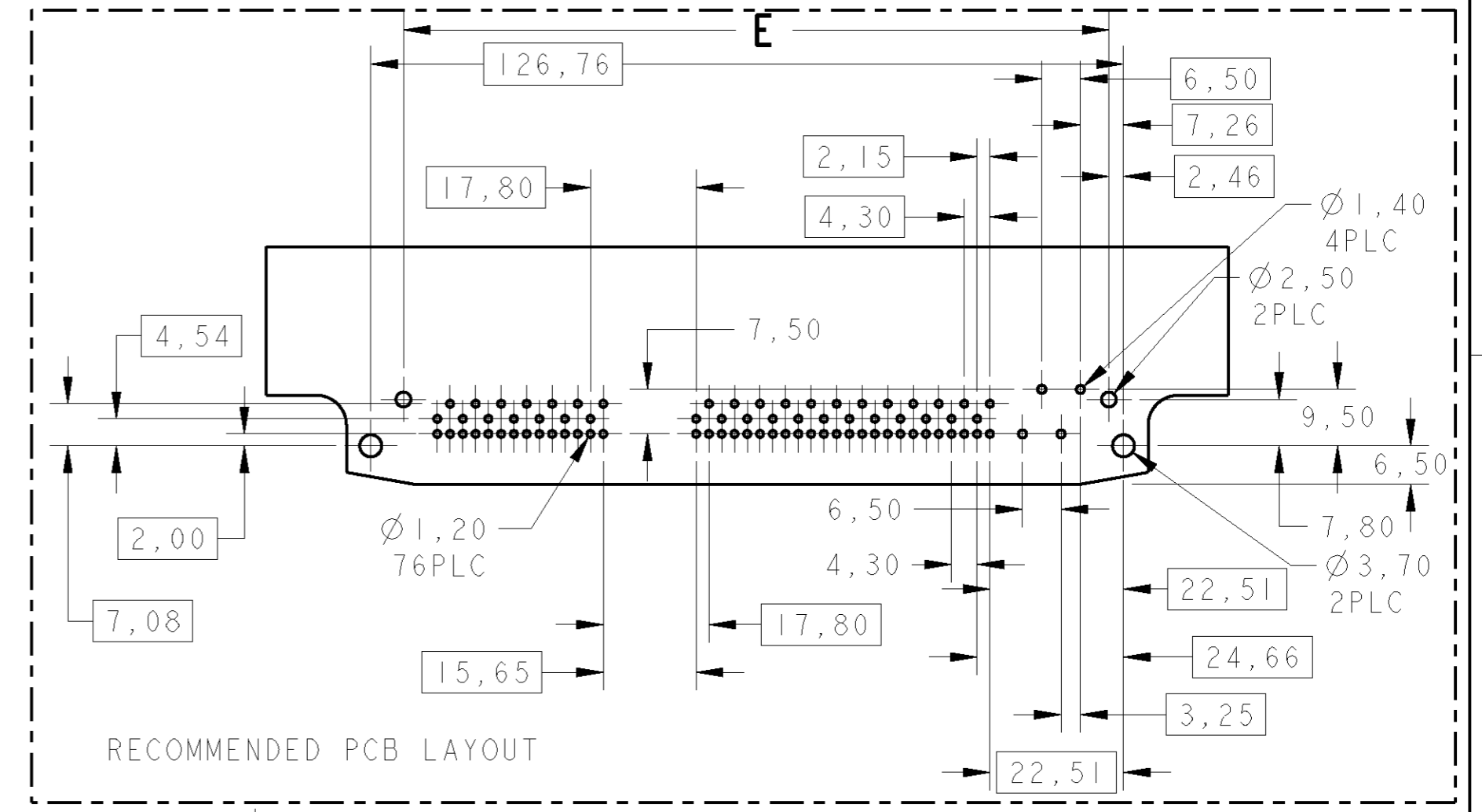
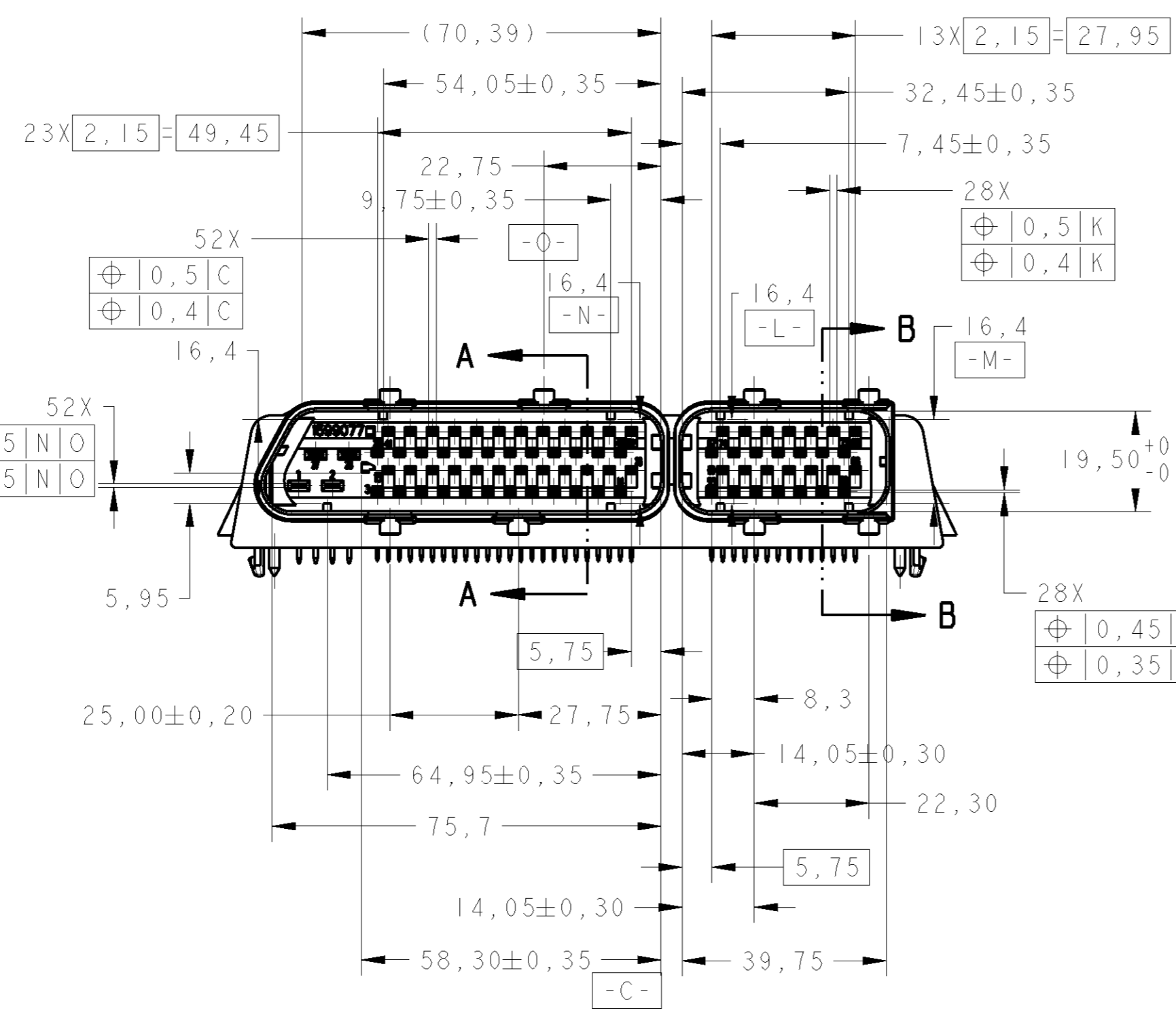
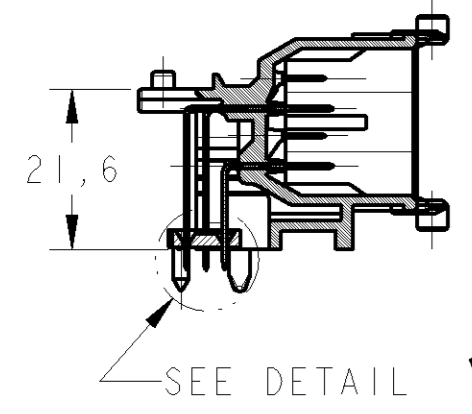
LOC		DIST		REVISIONS			
P	LTR	DESCRIPTION	DATE	DWN	APVD		
AP	-						
EI		REDRAW BY ECO-08-022178	11SEP2008	NCL	WAO		



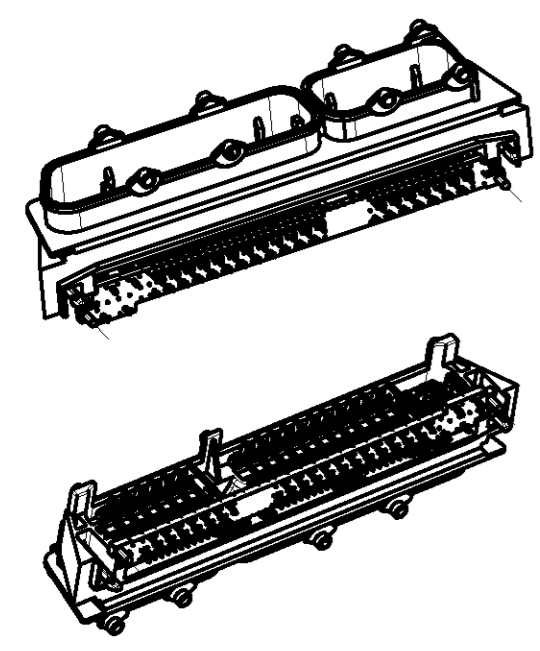
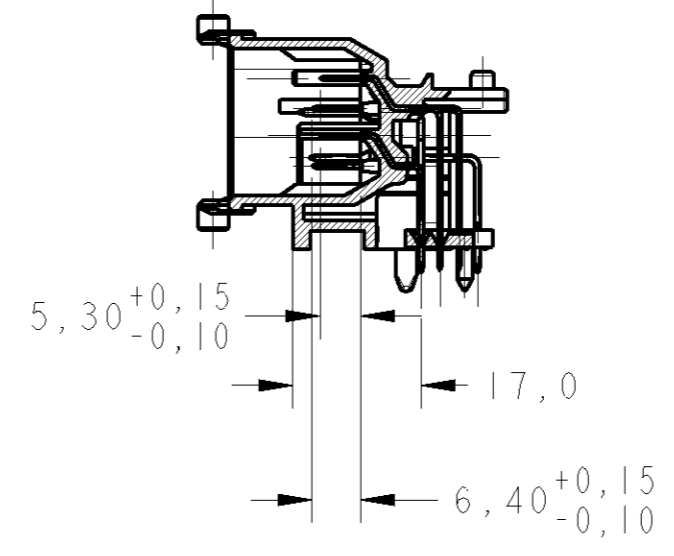
DETAIL Y
SCALE 5:1



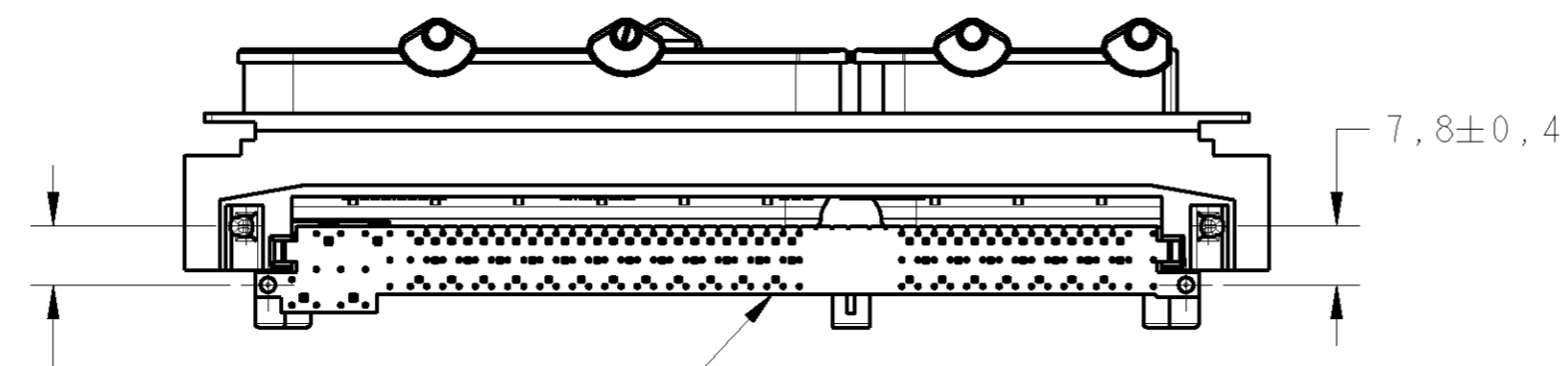
SECTION B-B



SECTION A-A



PERSPECTIVE VIEWS
SCALE 1:2



DIM. "E"	PART NUMBER
121,80	1534512-4
118,80	1534512-3
118,80	1534512-2
118,80	1534512-1

GRAVAÇÕES MARKINGS	
LOGOTIPO TE	TE LOGO
CÓDIGO PAÍS PRODUTOR	MANUFACTURER COUNTRY CODE
NOMENCLATURA MATERIAL	MATERIAL NOMENCLATURE
NÚMERO COMPONENTE TE	TE COMPONENT NUMBER
NÚMERO CAVIDADE	CAVITY NUMBER
IDENTIFICAÇÃO CIRCUITO	CIRCUIT IDENTIFICATION
PAÍS PRODUTOR	MANUFACTURER COUNTRY
REV+ LETRA REV.DA PEÇA	REV.+ PART REV.LETTER
DATADOR	DATE CODE

⚠ PACKAGING ACC. PACKAGING INSTRUCTION VI534512, REUSABLE IN TRAY PN 741066 AND CUSTOMER OWN BOX PN 9-740971-1 PARTS PER TRAY: 10 PÇ / PARTS PER BOX: 40 PÇ

⚠ EMBALAGEM DE ACORDO COM INSTRUÇÃO DE EMBALAGEM VI534512, REUTILIZÁVEL EM BANDEJA PN 741066 E EM CAIXA DO CLIENTE PN 9-740971-1 PEÇAS POR BANDEJA: 10 PÇ / PEÇAS POR CAIXA: 40 PÇ

REQ. PER ASSY	ITEM	DESCRIPTION	MATERIAL	FINISH
-	-	-	-	-
2	PIN GUIDE 80 POSN.	PBT+GF30	NATURAL	
2	PIN GUIDE 80 POSN.	PBT+GF30	PRETO/BLACK	
2	PIN GUIDE 80 POSN.	PBT+GF30	AMARELO/YELLOW	
1	HOUSING, OVERMOULDED	PA66+GF30	PRETO/BLACK	

DIMENSIONS:		TOLERANCES UNLESS OTHERWISE SPECIFIED:		MATERIAL		FINISH	
mm							
		0 PLC	±				
		1 PLC	±0,3				
		2 PLC	±0,2				
		3 PLC	±				
		4 PLC	±				
		ANGLES	±30'				
		FINISH					

NAME	SIZE	CAGE CODE	DRAWING NO	RESTRICTED TO
80 POSN., PIN HEADER WITH PIN GUIDE	A2	00779	C-1534512	

Mouser Electronics

Authorized Distributor

Click to View Pricing, Inventory, Delivery & Lifecycle Information:

[TE Connectivity:](#)

[1534512-3](#)