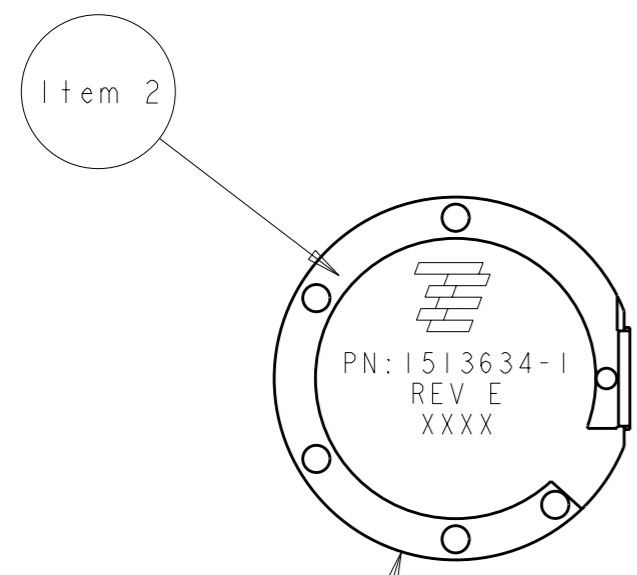
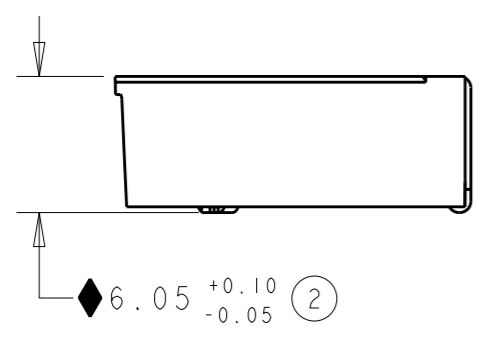


THIS DRAWING IS UNPUBLISHED. RELEASED FOR PUBLICATION 20  
 © COPYRIGHT 20 BY TYCO ELECTRONICS CORPORATION. ALL RIGHTS RESERVED.

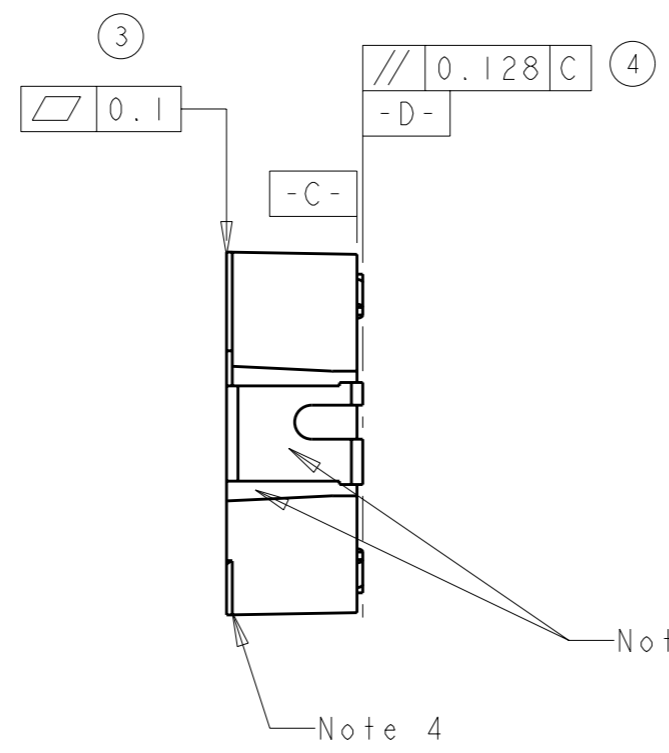
LOC	DIST	REVISIONS			
P	LTR	DESCRIPTION	DATE	DWN	APVD
HQ	00	E	REVISED NOTES	3MAY2010	DW GG



①  
 ♦  $\varnothing 16.00 \pm 0.1$

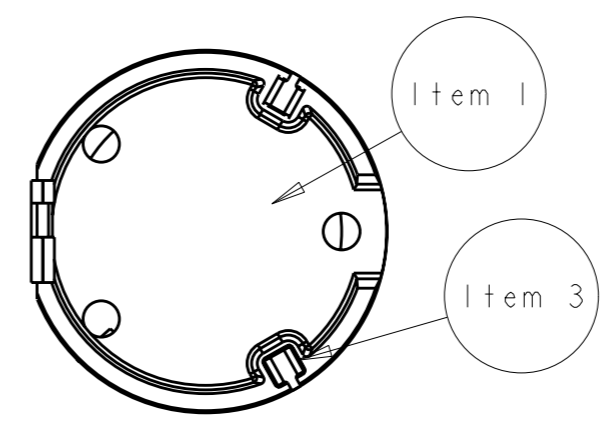


②  
 ♦  $6.05^{+0.10}_{-0.05}$



③  
 ▱ 0.1

④  
 // 0.128 C  
 -D-



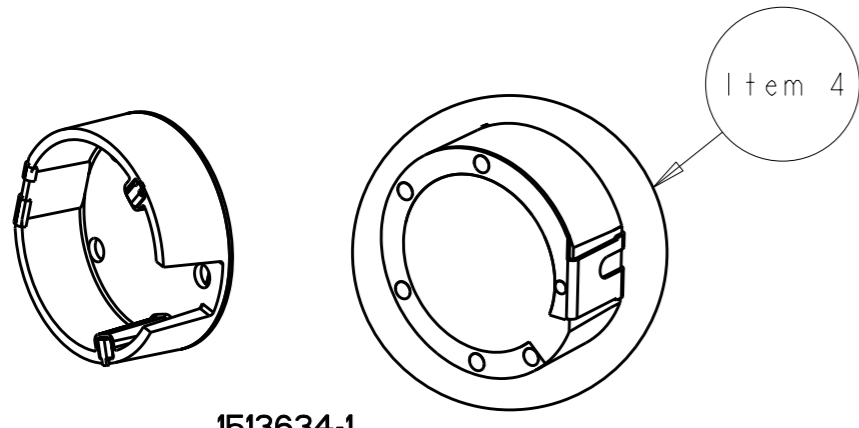
Note 2

Note 4

NOTES:

1. Material-LCP DuPont Zenite 6130L, 30% glass filled, black color.
2. General tolerance block applies unless otherwise specified.
3. All components are compliant to RoHS standards per Tyco Electronics standards TEC-138-702
4. Part will be identified with part number, rev letter, TE logo and 4 digit date code. 1st two digits for the year and the 2nd two digits for the week.
5. Consult Tyco Electronics data sheet 1513634

♦ ONGOING STATISTICAL PROCESS CONTROL REQUIRED (TOTAL 2 PCS.)



1513634-1  
 SCALE 2:1

THIS DRAWING IS A CONTROLLED DOCUMENT FOR TYCO ELECTRONICS CORPORATION IT IS SUBJECT TO CHANGE AND THE CONTROLLING ENGINEERING ORGANIZATION SHOULD BE CONTACTED FOR THE LATEST REVISION.		DWN MAH 30JUN2006	Tyco Electronics Rochester, New York 14623	
DIMENSIONS: mm		CHK -	NAME Antenna GPS Assembly 1513634-1	
TOLERANCES UNLESS OTHERWISE SPECIFIED:		APVD -	PRODUCT SPEC -	
0 PLC	±0.10	APPLICATION SPEC -	SIZE A3	CAGE CODE 00779
1 PLC	±0.10	WEIGHT -	DRAWING NO C-1513634	RESTRICTED TO -
2 PLC	±0.05	CUSTOMER DRAWING	SCALE 3:1	SHEET 1 OF 1
3 PLC	±0.05			REV E
4 PLC	±0.01			
ANGLES	±1°			
MATERIAL -	FINISH -			

# Mouser Electronics

Authorized Distributor

Click to View Pricing, Inventory, Delivery & Lifecycle Information:

[TE Connectivity:](#)

[1513634-1](#)