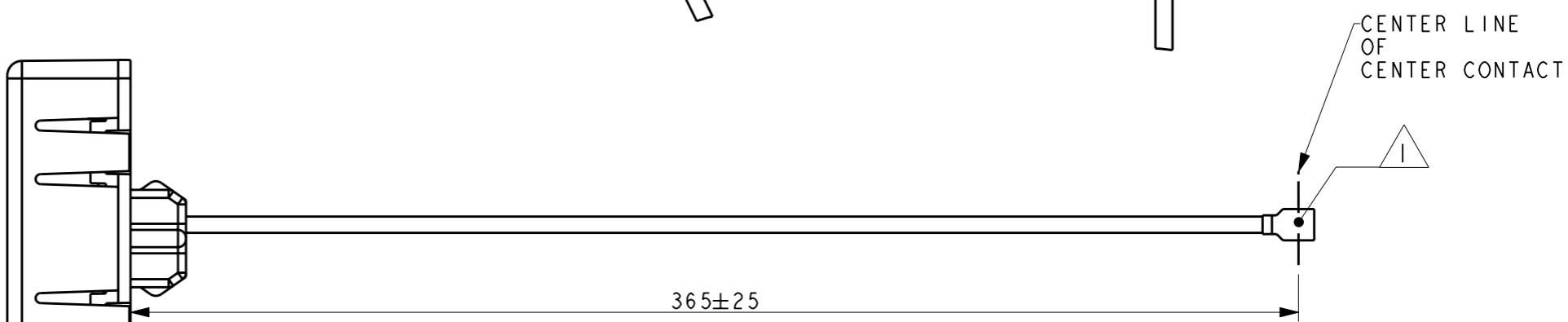
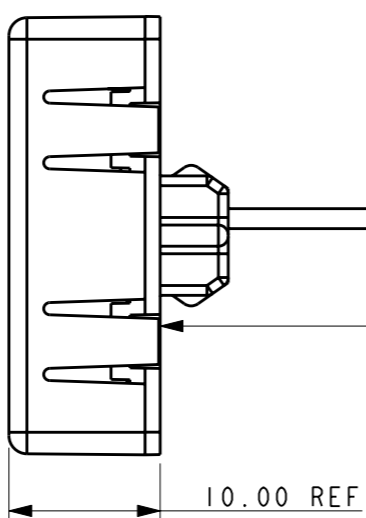
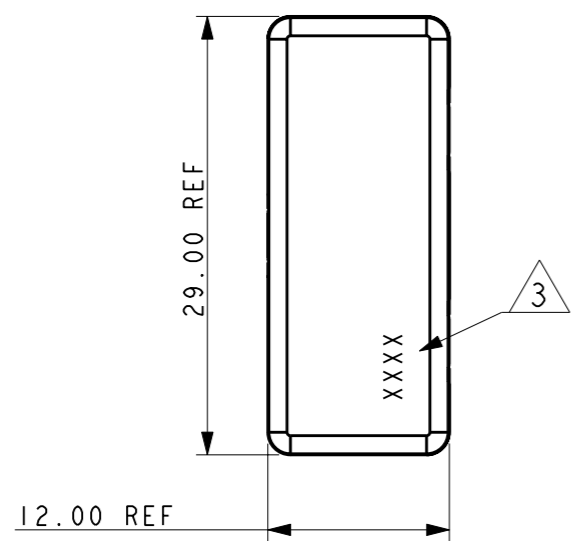
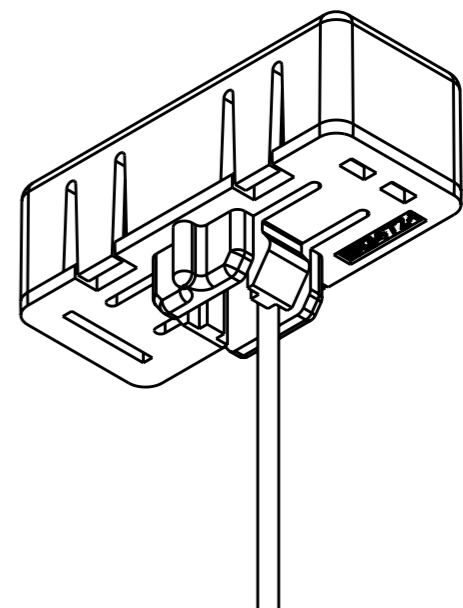
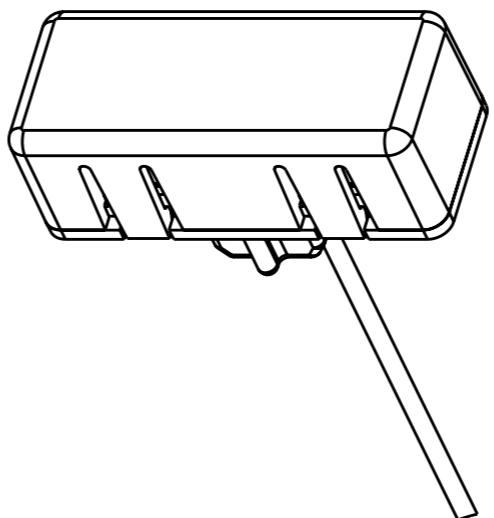
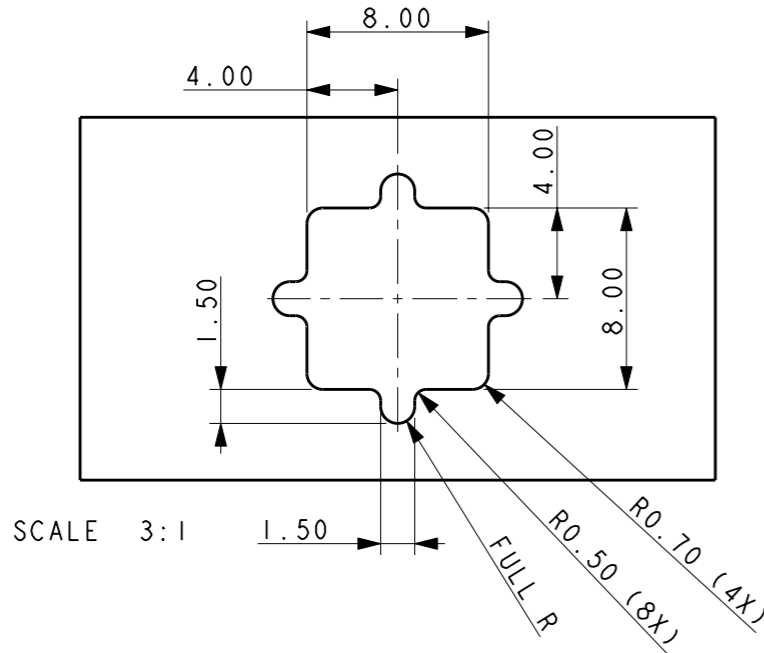


THIS DRAWING IS UNPUBLISHED. RELEASED FOR PUBLICATION  
 © COPYRIGHT - BY TYCO ELECTRONICS CORPORATION. ALL RIGHTS RESERVED.

LOC	DIST	REVISIONS			
P	LTR	DESCRIPTION	DATE	DWN	APVD
AJ	00	A	RELEASE	31AUG2010	DW GG

### PANEL CUTOUT DIMENSIONS (Tolerances .XX ±0.1)



ORDER P/N 1513381-1

NOTES: UNLESS OTHERWISE SPECIFIED.

- 1 MINI COAX CABLE DIAMETER 1.13 mm TERMINATED WITH U.FL CONNECTOR.
- 2. COMPONENTS AND ASSEMBLY ARE COMPLIANT TO RoHS STANDARDS.
- 3 4 DIGIT DATE CODE IN THIS AREA. FIRST 2 DIGITS DESIGNATE THE YEAR CODE AND THE THIRD AND FORTH DIGITS DESIGNATE THE WEEK.

<small>THIS DRAWING IS A CONTROLLED DOCUMENT FOR TYCO ELECTRONICS CORPORATION IT IS SUBJECT TO CHANGE AND THE CONTROLLING ENGINEERING ORGANIZATION SHOULD BE CONTACTED FOR THE LATEST REVISION.</small>		DWN	29MAR2010		Tyco Electronics Rochester, NY 14623						
DIMENSIONS:		CHK	-								
mm		APVD	-		NAME						
		PRODUCT SPEC	-			UNIVERSAL ANTENNA MODULE (UAM) WLAN					
TOLERANCES UNLESS OTHERWISE SPECIFIED:		APPLICATION SPEC	-		SIZE	CAGE CODE	DRAWING NO	RESTRICTED TO			
0 PLC ±-		WEIGHT	-		A3	-	C-1513381	-			
1 PLC ±-		CUSTOMER DRAWING		SCALE	2:1	SHEET	1	OF	1	REV	A
2 PLC ±-											
3 PLC ±-											
4 PLC ±-											
ANGLES ±-											
MATERIAL -											
FINISH -											

# Mouser Electronics

Authorized Distributor

Click to View Pricing, Inventory, Delivery & Lifecycle Information:

[TE Connectivity:](#)

[1513381-1](#)