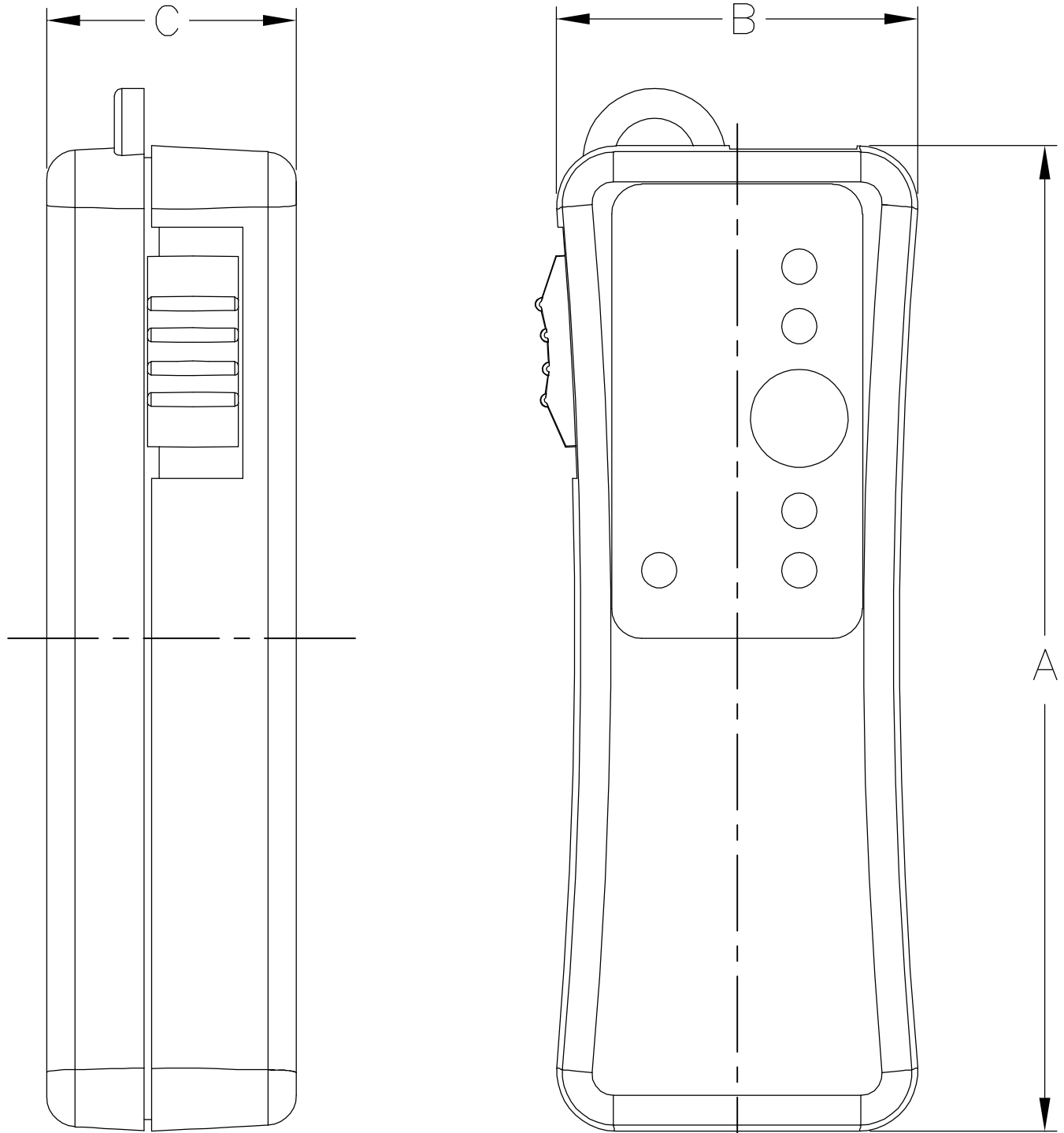


THIS DRAWING IS UNPUBLISHED. RELEASED FOR PUBLICATION  
 © COPYRIGHT - BY TYCO ELECTRONICS CORPORATION. ALL RIGHTS RESERVED.

| LOC | DIST | REVISIONS |     |               |      |     |      |
|-----|------|-----------|-----|---------------|------|-----|------|
| A   | 40   | P         | LTR | DESCRIPTION   | DATE | DWN | APVD |
|     |      | A         |     | ECR 05-009717 | 8-05 | MY  | TM   |



1. ALL DIMENSIONS ARE REFERENCE DIMENSIONS.
2. TONE GENERATOR ALSO INCLUDES THE FOLLOWING ITEMS:
  - A. 24" RJ11 TO ALLIGATOR CLIP SET
  - B. 7.5" RJ12 CABLE ASSEMBLY

| DIM. | TOLERANCE |       |             |        |
|------|-----------|-------|-------------|--------|
|      | INCHES    |       | MILLIMETERS |        |
|      | MIN.      | MAX.  | MIN.        | MAX.   |
| A    | 4.115     | 4.125 | 104.52      | 104.77 |
| B    | 1.507     | 1.517 | 38.27       | 38.53  |
| C    | 1.040     | 1.050 | 26.41       | 26.67  |

APPROX. WEIGHT = 2.8 oz. (W/BATTERY)

|   |  |  |   |   |
|---|--|--|---|---|
| THIS DRAWING IS A CONTROLLED DOCUMENT.  |  | DWN<br>W.HOOVER<br>14JUN2002   | Tyco Electronics Corporation<br>Harrisburg, Pa 17105-3608 |   |
| DIMENSIONS:<br>INCHES<br>   |  | CHK<br>RICHARD SCHAEFFER<br>6-02<br>APVD<br>RICHARD SCHAEFFER<br>6-14-02 | NAME<br>TONE GENERATOR                                    |   |
| TOLERANCES UNLESS OTHERWISE SPECIFIED:<br>0 PLC ± -<br>1 PLC ± -<br>2 PLC ± -<br>3 PLC ± -<br>4 PLC ± -<br>ANGLES ± - |  | PRODUCT SPEC<br>-  | RESTRICTED TO<br>-  |   |
| MATERIAL<br>-   |  | FINISH<br>-  | WEIGHT<br>-   | SIZE<br>CAGE CODE<br>DRAWING NO<br>A3 00779 C-1490531 |
| CUSTOMER DRAWING  |  |  | SCALE<br>1:1  | SHEET<br>1 OF 1<br>REV<br>A                           |

# Mouser Electronics

Authorized Distributor

Click to View Pricing, Inventory, Delivery & Lifecycle Information:

[TE Connectivity:](#)

[1490531-1](#)