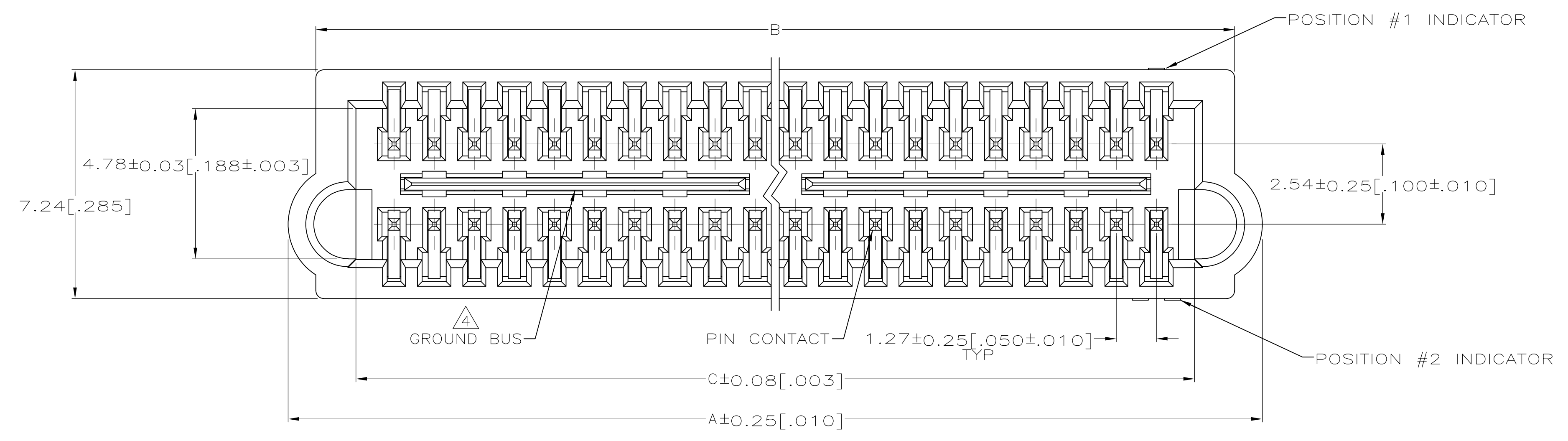
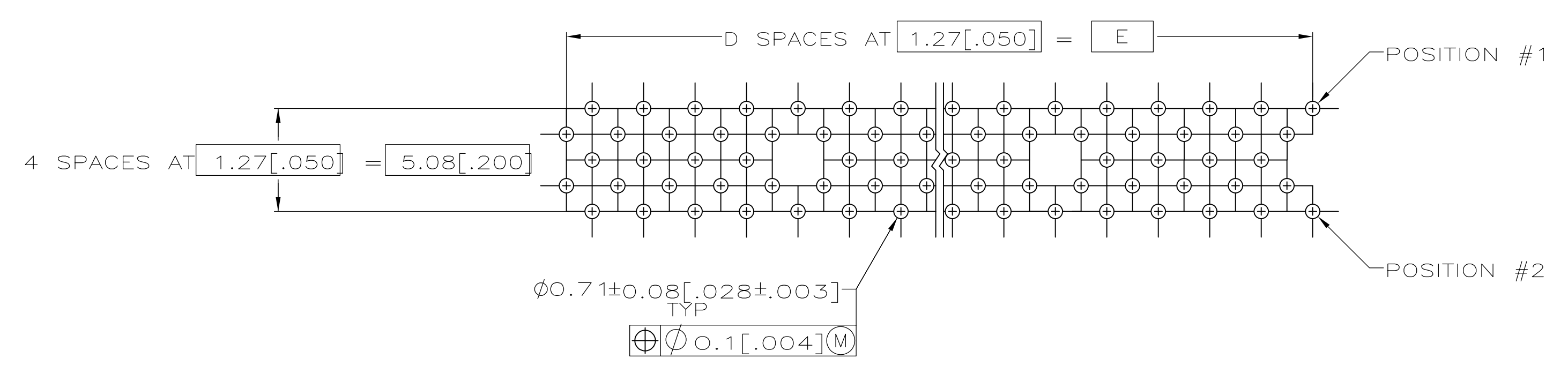
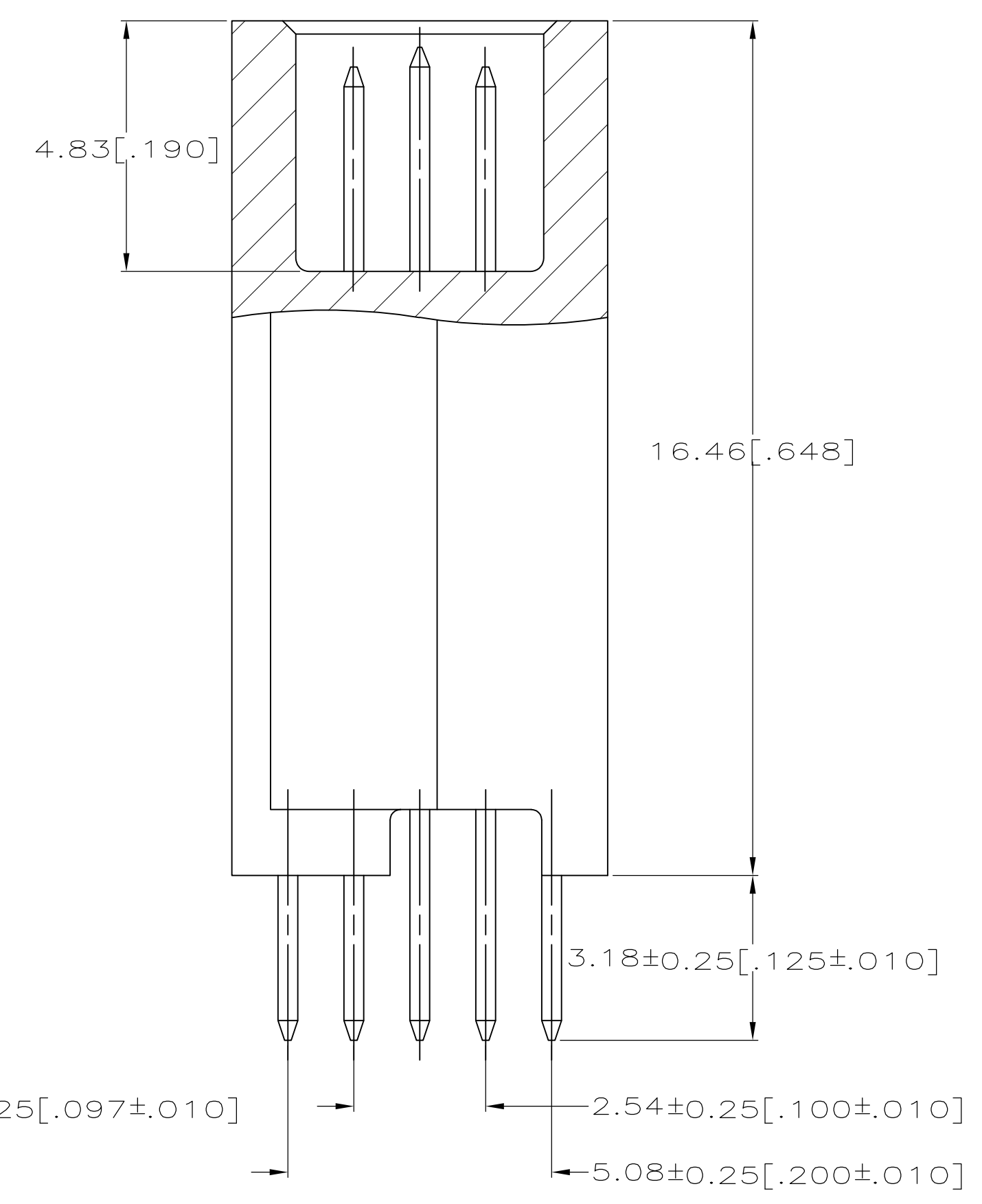
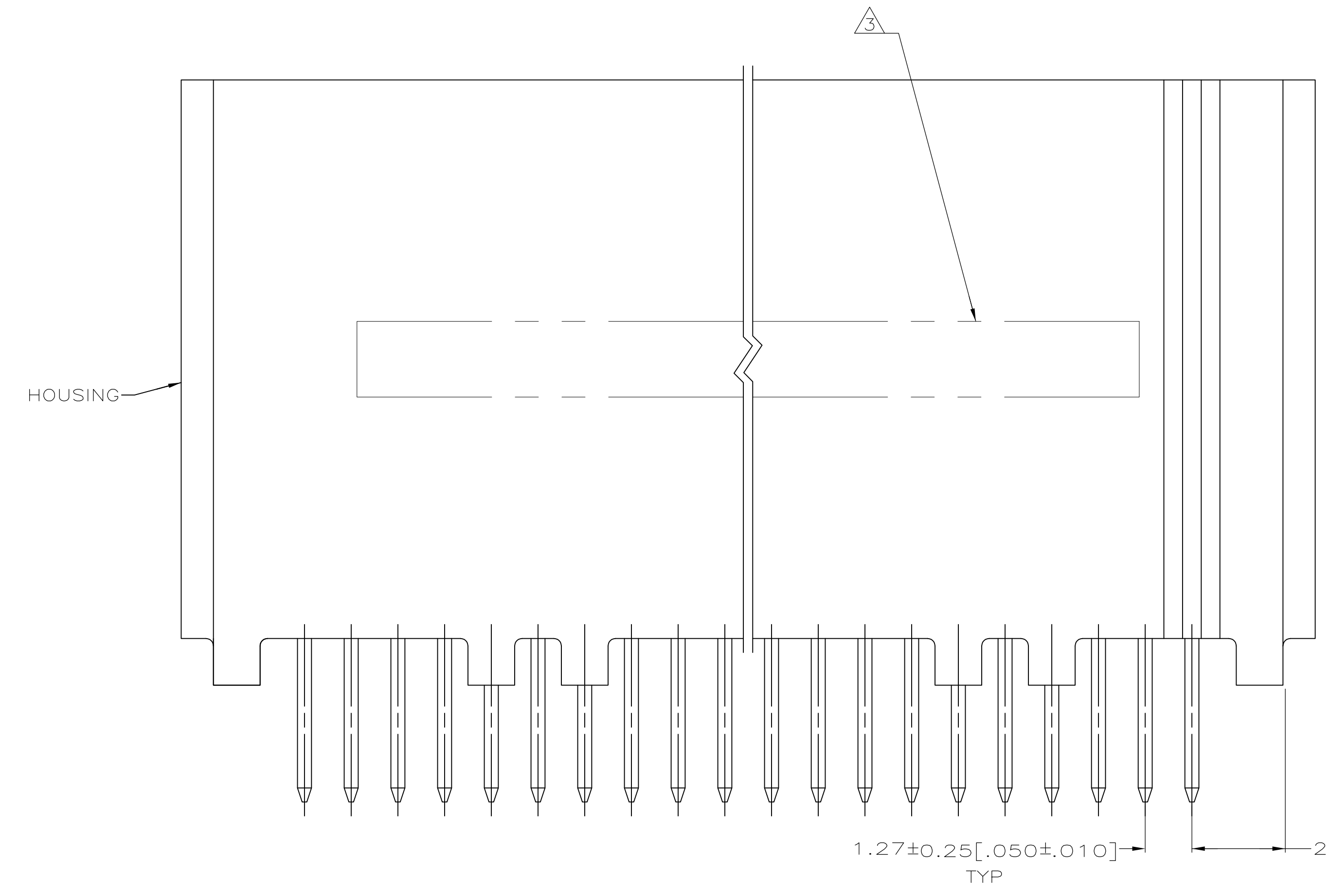


REVISIONS					
P	LTR	DESCRIPTION	DATE	DMN	APVD
C		REVISED PER ECO-16-010704	20JUL2016	SY	SY



- ① HOUSING: HIGH TEMPERATURE THERMOPLASTIC, COLOR NATURAL OR LIGHT NATURAL.  
PIN CONTACTS: PHOSPHOR BRONZE.  
GROUND BUSES: PHOSPHOR BRONZE.
- ② PIN CONTACTS: 0.00076[.000030] MIN GOLD IN CONTACT AREA,  
0.00254-0.00762[.000100-.000300] TIN-LEAD ON SOLDER TAIL,  
ALL OVER 0.00127-0.00254[.000050-.000100] NICKEL ON ENTIRE CONTACT.
- ③ AMP AND DATE CODE MARKED IN AREA INDICATED, ON SAME SIDE AS POSITION NUMBER 2 INDICATOR.
- ④ ONE GROUND BUS WITH 4 TAILS PER EACH 20 PIN CONTACTS.



RECOMMENDED PC BOARD HOLE LAYOUT (VIEWED FROM CONNECTOR SIDE)

125.73[4.950]	99	128.22[5.048]	130.81[5.150]	132.44[5.214]	200	149011-9
113.03[4.450]	89	115.52[4.548]	118.11[4.650]	119.74[4.714]	180	149011-8
100.33[3.950]	79	102.82[4.048]	105.41[4.150]	107.04[4.214]	160	149011-7
87.63[3.450]	69	90.12[3.548]	92.71[3.650]	94.34[3.714]	140	149011-6
74.93[2.950]	59	77.42[3.048]	80.01[3.150]	81.64[3.214]	120	149011-5
62.23[2.450]	49	64.72[2.548]	67.31[2.650]	68.94[2.714]	100	149011-4
49.53[1.950]	39	52.02[2.048]	54.61[2.150]	56.24[2.214]	80	149011-3
36.83[1.450]	29	39.32[1.548]	41.91[1.650]	43.54[1.714]	60	149011-2
OBSOLETE 24.13[.950]	19	26.62[1.048]	29.21[1.150]	30.84[1.214]	40	149011-1
E	D	C	B	A	NO OF POS	PART NUMBER

THIS DRAWING IS A CONTROLLED DOCUMENT.

DIMENSIONS: mm [INCHES]	TOLERANCES UNLESS OTHERWISE SPECIFIED:	DIN J. GERACE 11-29-94	STE TE Connectivity
0. PLC ± -	1. PLC ± -	CIK P. MATAR 11-29-94	NAME
2. PLC ± -	3. PLC ± 0.1[.005]	APVD A. MONK 11-29-94	PRODUCT SPEC
4. PLC ± -	ANGLES ± -		108-1272
MATERIAL ①	FINISH ②	APPLICATION SPEC	SIZE
		114-11005	100779
		WEIGHT 0.000000	149011
		CUSTOMER DRAWING	SCALE 10:1 SHEET 1 OF 1 REV C

# Mouser Electronics

Authorized Distributor

Click to View Pricing, Inventory, Delivery & Lifecycle Information:

[TE Connectivity:](#)

[149011-3](#)