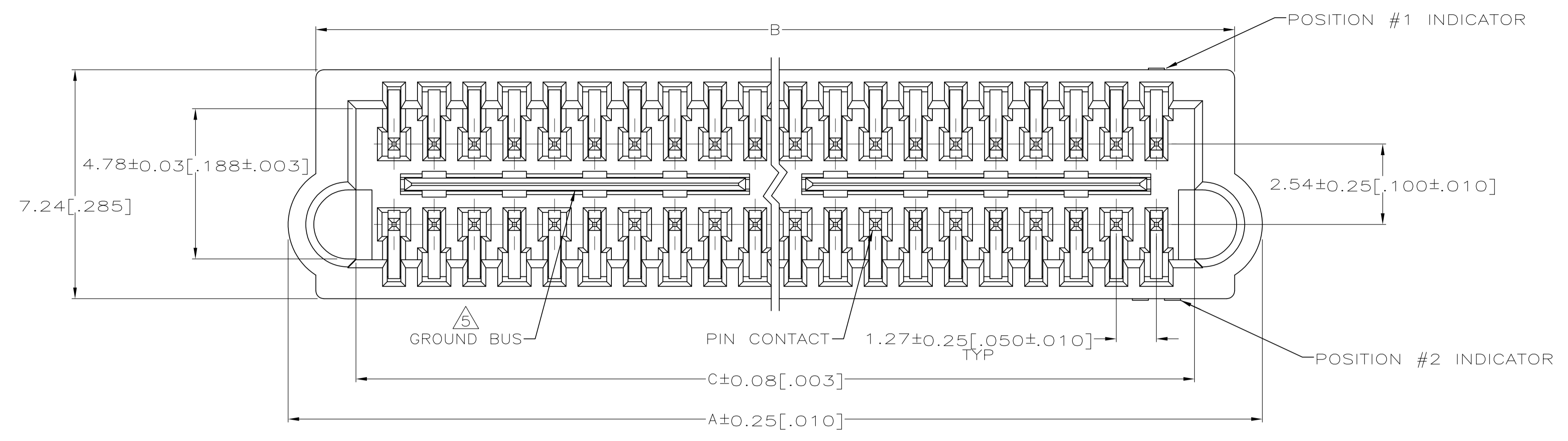
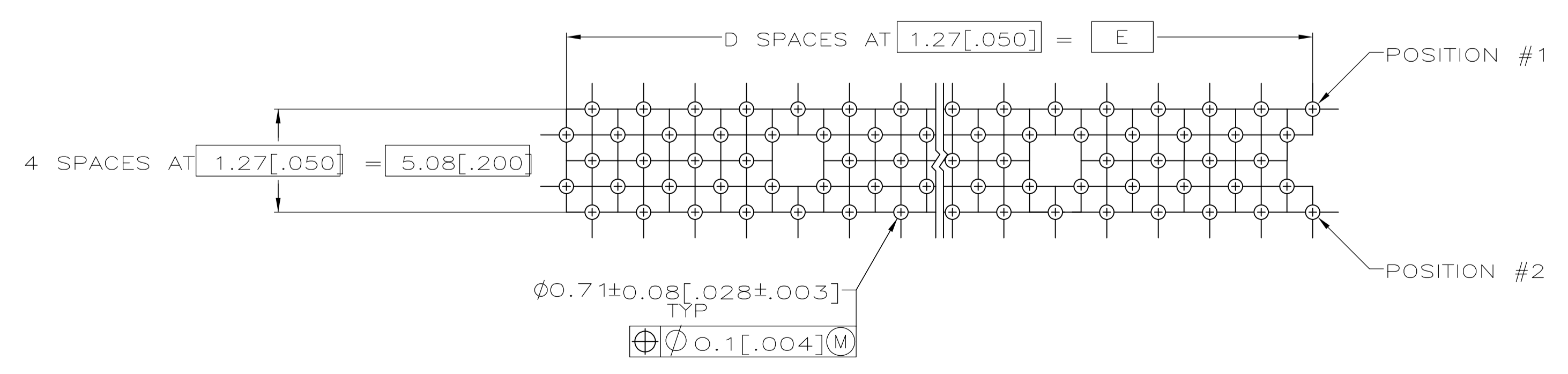
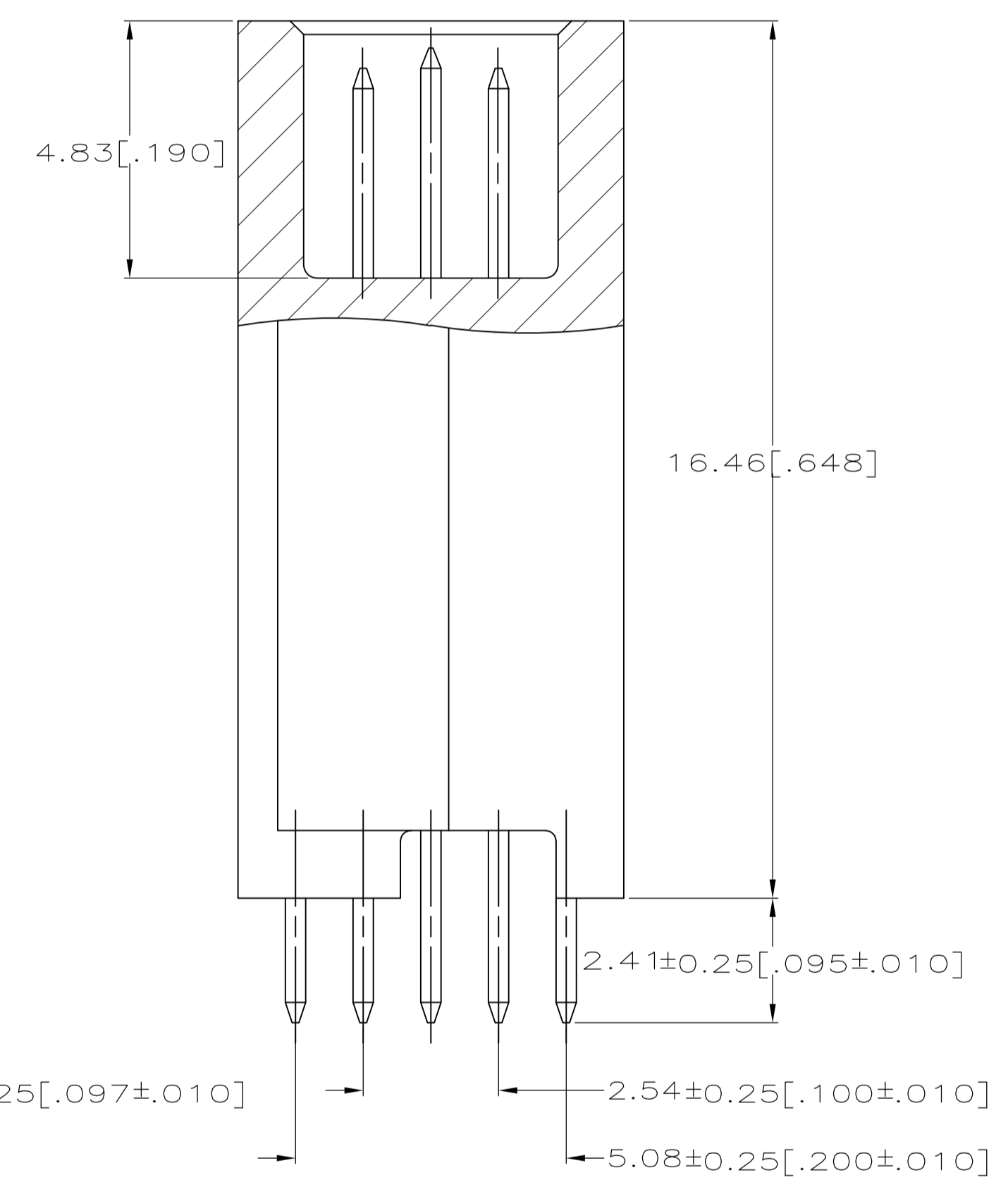
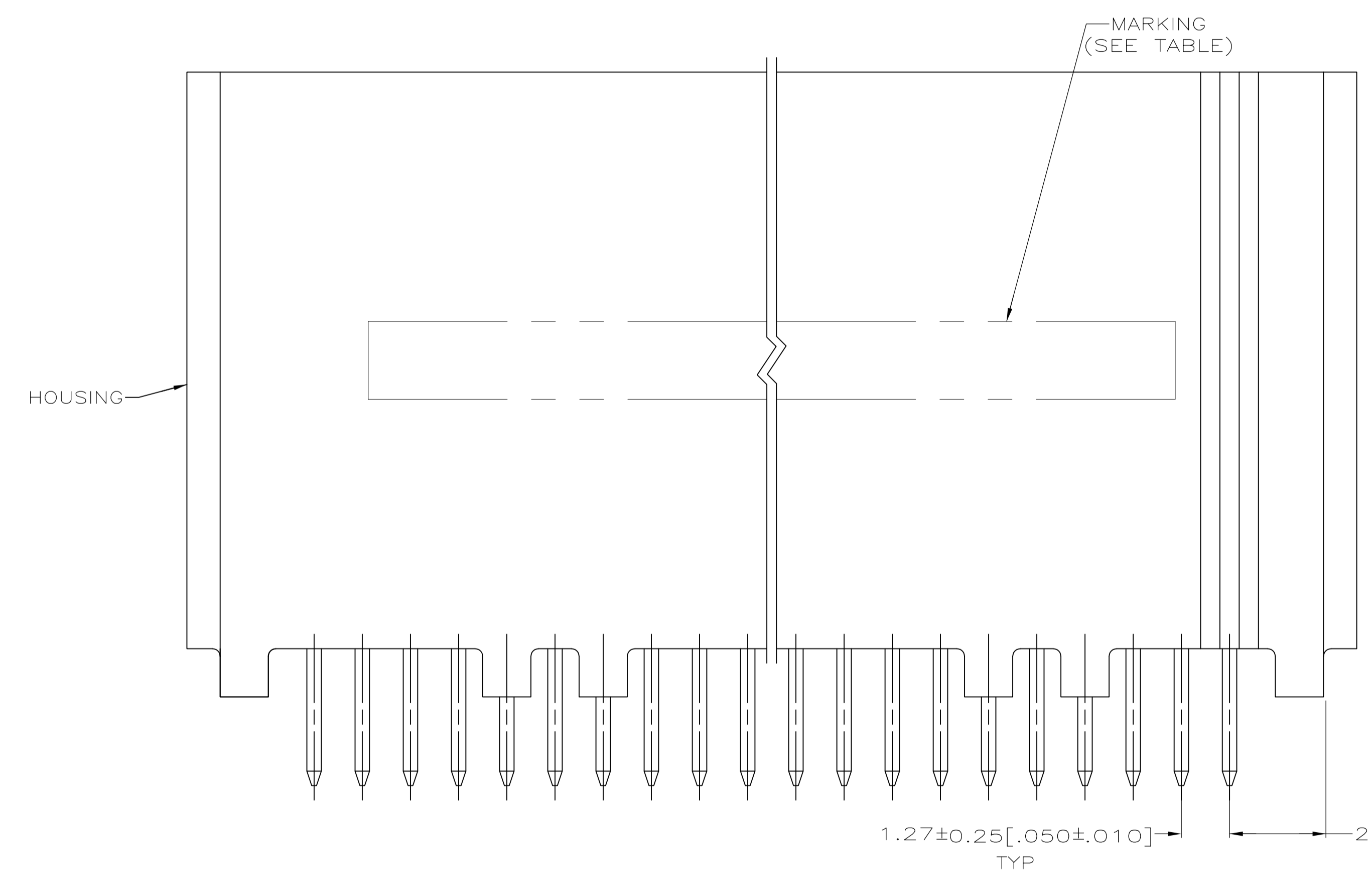


| REVISIONS | | | | | |
|-----------|-----|---------------------------|-----------|-----|------|
| P | LTR | DESCRIPTION | DATE | DMN | APVD |
| D | | REVISED PER ECO-16-010704 | 20JUL2016 | SY | SY |



- ① HOUSING: HIGH TEMPERATURE THERMOPLASTIC, COLOR NATURAL OR LIGHT NATURAL.
PIN CONTACTS: PHOSPHOR BRONZE.
GROUND BUSES: PHOSPHOR BRONZE.
- ② PIN CONTACTS: 0.00076[.000030] MIN GOLD IN CONTACT AREA, 0.00254-0.00762[.000100-.000300] TIN-LEAD ON SOLDER TAIL, ALL OVER 0.00127-0.00254[.000050-.000100] NICKEL ON ENTIRE CONTACT.
- GROUND BUSES: 0.00076[.000030] MIN GOLD IN CONTACT AREA, 0.00254-0.00762[.000100-.000300] TIN-LEAD ON SOLDER TAIL, ALL OVER 0.00127-0.00254[.000050-.000100] NICKEL ON ENTIRE BUS.
- ③ AMP AND DATE CODE MARKED IN AREA INDICATED, ON SAME SIDE AS POSITION NUMBER 2 INDICATOR.
- ④ AMP, DATE CODE AND PART NUMBER MARKED IN AREA INDICATED, ON SAME SIDE AS POSITION NUMBER 2 INDICATOR.
- ⑤ ONE GROUND BUS WITH 4 TAILS PER EACH 20 PIN CONTACTS.



RECOMMENDED PC BOARD HOLE LAYOUT (VIEWED FROM CONNECTOR SIDE)

| | 125.73[4.950] | 99 | 128.22[5.048] | 130.81[5.150] | 132.44[5.214] | 200 | 149009-9 |
|----------|---------------|----|---------------|---------------|---------------|-----------|-------------|
| | 113.03[4.450] | 89 | 115.52[4.548] | 118.11[4.650] | 119.74[4.714] | 180 | 149009-8 |
| | 100.33[3.950] | 79 | 102.82[4.048] | 105.41[4.150] | 107.04[4.214] | 160 | 149009-7 |
| OBSOLETE | 87.63[3.450] | 69 | 90.12[3.548] | 92.71[3.650] | 94.34[3.714] | 140 | 149009-6 |
| | 74.93[2.950] | 59 | 77.42[3.048] | 80.01[3.150] | 81.64[3.214] | 120 | 149009-5 |
| | 62.23[2.450] | 49 | 64.72[2.548] | 67.31[2.650] | 68.94[2.714] | 100 | 149009-4 |
| | 49.53[1.950] | 39 | 52.02[2.048] | 54.61[2.150] | 56.24[2.214] | 80 | 149009-3 |
| OBSOLETE | 36.83[1.450] | 29 | 39.32[1.548] | 41.91[1.650] | 43.54[1.714] | 60 | 149009-2 |
| | 24.13[0.950] | 19 | 26.62[1.048] | 29.21[1.150] | 30.84[1.214] | 40 | 149009-1 |
| MARKING | E | D | C | B | A | NO OF POS | PART NUMBER |

THIS DRAWING IS A CONTROLLED DOCUMENT.

| | | | |
|-------------------------|--|------------------------|---------------------|
| DIMENSIONS: mm [INCHES] | TOLERANCES UNLESS OTHERWISE SPECIFIED: | DIN J. GERACE 11-22-94 | STE TE Connectivity |
| 0. PLC ± - | 1. PLC ± - | CIK P. MATAR 11-22-94 | NAME |
| 2. PLC ± - | 3. PLC ± 0.1[0.005] | APVD A. MONK 11-22-94 | PRODUCT SPEC |
| 4. PLC ± - | ANGLES ± - | | 108-1272 |
| MATERIAL | FINISH | APPLICATION SPEC | SIZE |
| | | 114-11005 | 114-11005 |
| | | WEIGHT | 0.000000 |
| | | CUSTOMER DRAWING | A1 00779 149009 |
| | | SCALE | 10:1 |
| | | SHEET | 1 OF 1 |
| | | REV | D |

Mouser Electronics

Authorized Distributor

Click to View Pricing, Inventory, Delivery & Lifecycle Information:

[TE Connectivity:](#)

[149009-5](#)