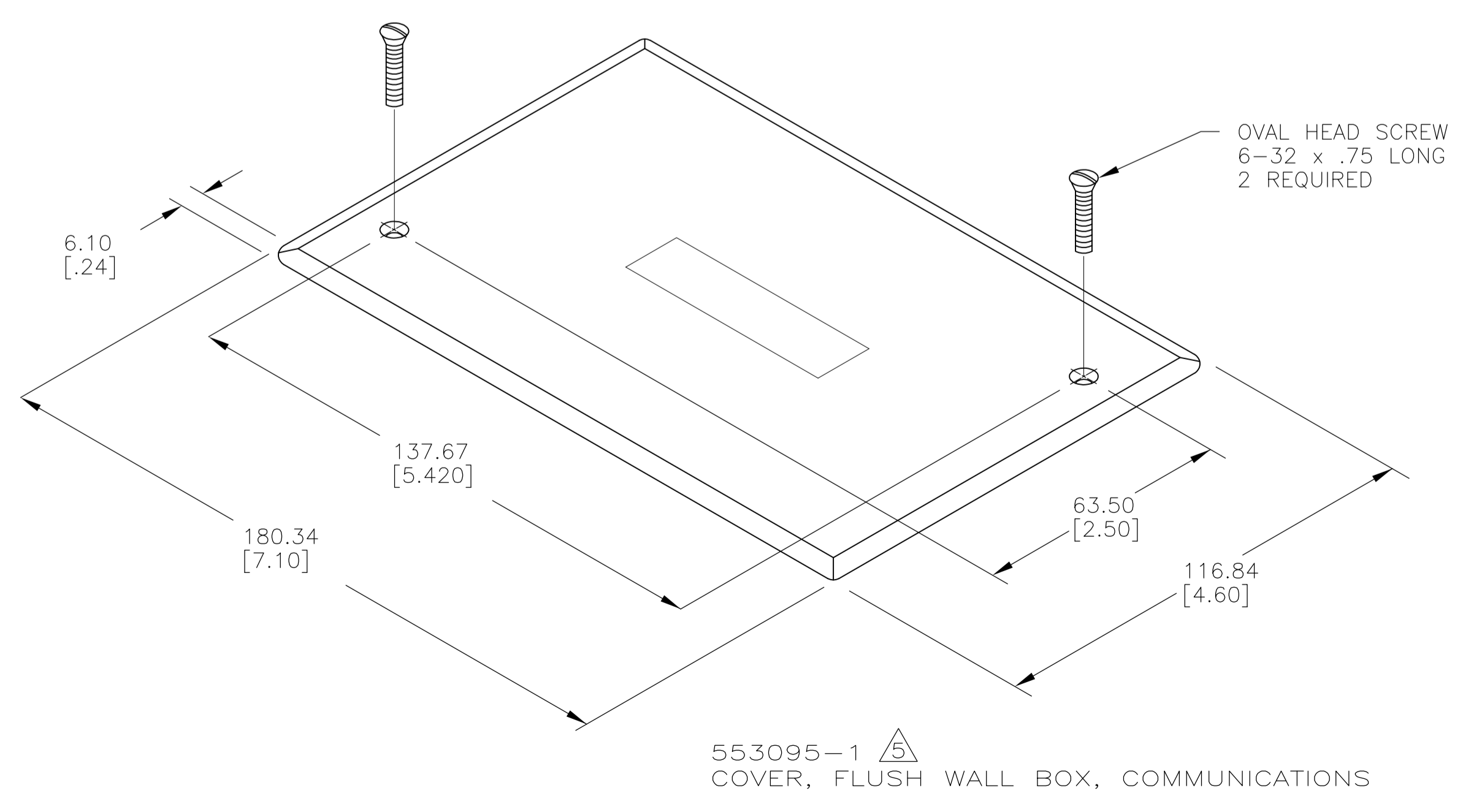


- 1. DIMENSIONS ARE FOR REFERENCE ONLY UNLESS OTHERWISE SPECIFIED.
- 2. KIT SHIPPED UNASSEMBLED
- 3. CATEGORY 5E CABLE:
OUTER JACKET-POLYVINYLCHORIDE, GRAY.
CONDUCTORS: COPPER, 24 AWG.
CONDUCTOR INSULATION: POLYETHELENE OR TEFLON, COLOR CODED.
- 4. FLUSH WALL BOX, COMMUNICATIONS:
FRAME AND SUPPORT- GALVANIZED CARBON STEEL.
- 5. FLUSH WALL BOX COVER COMMUNICATIONS:
COVER - CLEAR ANODIZED ALUMINUM ALLOY.
HARDWARE - ZINC PLATED STEEL.
- 6. FLUSH WALL BOX COVER:
COVER - POWDER COATED ALUMINUM ALLOY.
HARDWARE - ZINC PLATED STEEL.
- 7. FLUSH WALL BOX:
CARBON STEEL, PREGALVANIZED.
- 8. DATA KIT:
BRACKET - ABS, UL 94V-0 RATED.
HOUSING - POLYPHENYLENE OXIDE.
110 BLOCKS - POLYCARBONATE.
CONTACTS - GOLD OVER PHOSPHOROUS BRONZE.

(NOTES CONTINUED ON SHEET 2)



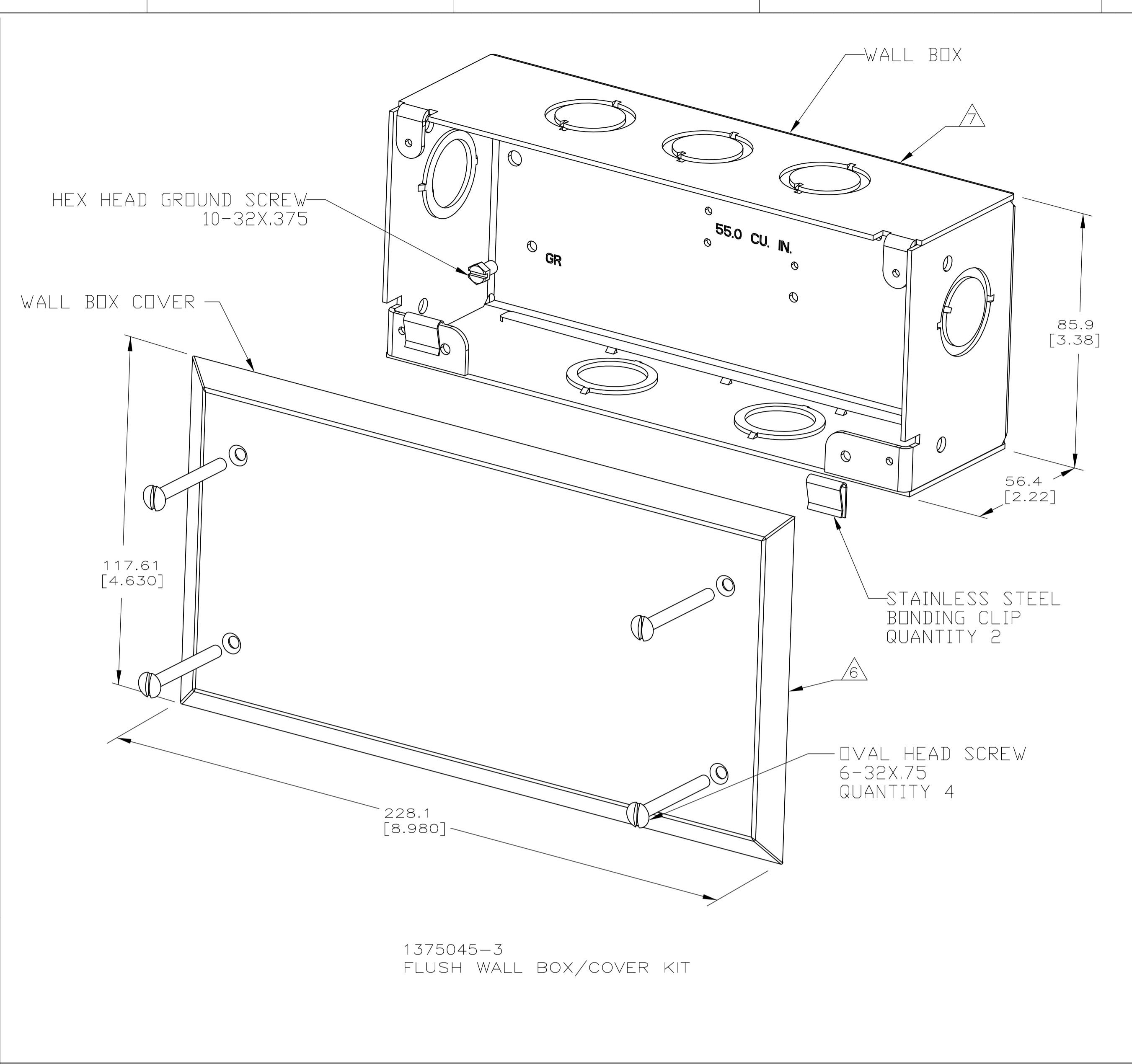
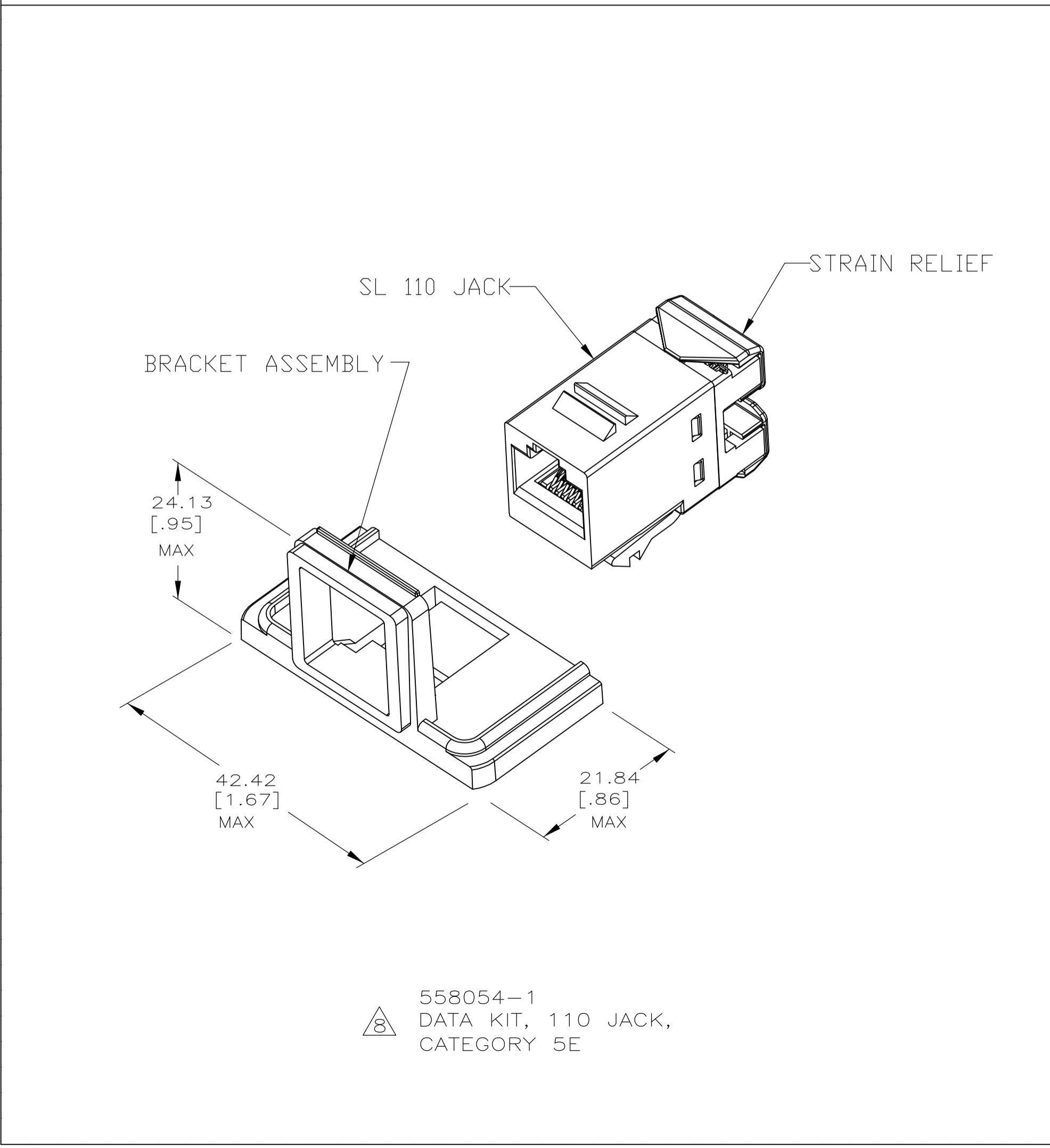
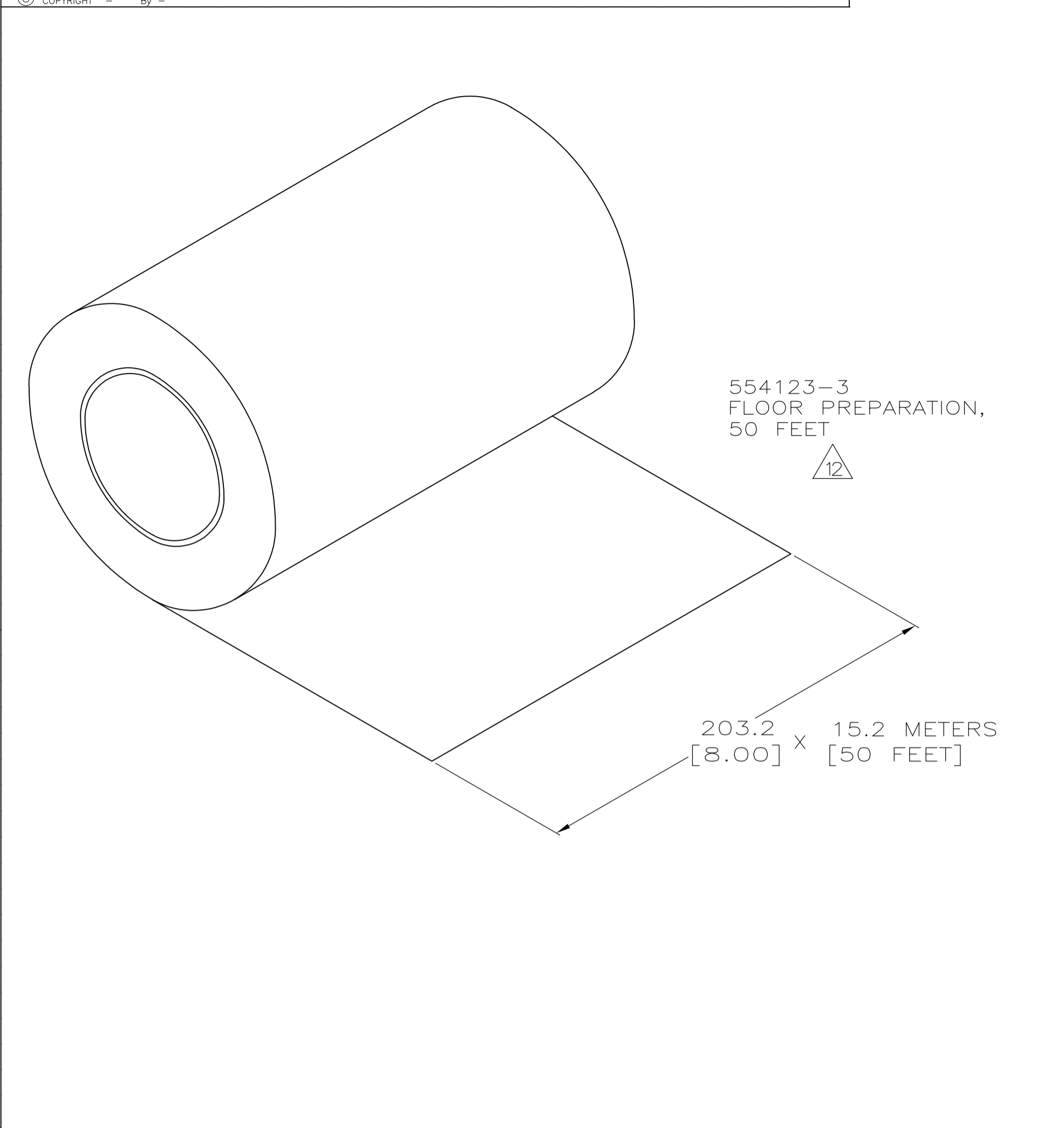
QTY	UNIT	DESCRIPTION	ITEM NO.
50'		FLAT WIRE, 5 COND, 12AWG	19
2		5C DCR ADAPTER, BLACK	18
2		5C DCR	17
1		FLOOR FITTING KIT	16
1		DUAL DUPLEX DCR	15
1		FLOOR FITTING KIT - 4 PORT	14
1		SPRAY ADHESIVE, CAN	13
50'	50'	FLOOR PREP	12
50'	50'	TOP SHIELD	11
1	50'	FLAT WIRE, 3 COND, 12AWG, 50 FT EA	10
1	1	ASSY, POWER TRANSITION BLOCK	9
1	1	FLUSH WALL BOX/COVER KIT	7
4	2	KIT, DATA, 110 M/JK, EIA, CAT.5E	6
1	1	KIT, JUMPER BOARD, 110 BLOCK	5
1	1	KIT, COVER, WALL, FLUSH	4
1	1	HOLD DOWN TAPE, ROLL	3
1	1	KIT, FRAME, TRANS, FLUSH, WALL	2
100'	100'	CA,CAT5E,4UTP,24AWG,CMUC	1

THIS DRAWING IS A CONTROLLED DOCUMENT.

DIMENSIONS: mm [INCHES]
 TOLERANCES UNLESS OTHERWISE SPECIFIED:
 0 PLC ± .1
 1 PLC ± .1
 2 PLC ± .1
 3 PLC ± .1
 4 PLC ± .1
 ANGLES ± .1

MATERIAL THRU FINISH THRU
 WEIGHT --
 CUSTOMER DRAWING

DWG NO. 1479050
 PART NO. 1479050
 DESCRIPTION CONFERENCE ROOM KIT, UNDERCARPET, CATEGORY 5E
 DATE 27JUL01
 DRAWN L. HALL
 CHECK L. SMITH
 APPROVED F. LINCOLN
 NAME F. LINCOLN
 SIZE A1
 SCALE NONE
 SHEET 1 OF 4
 REV J

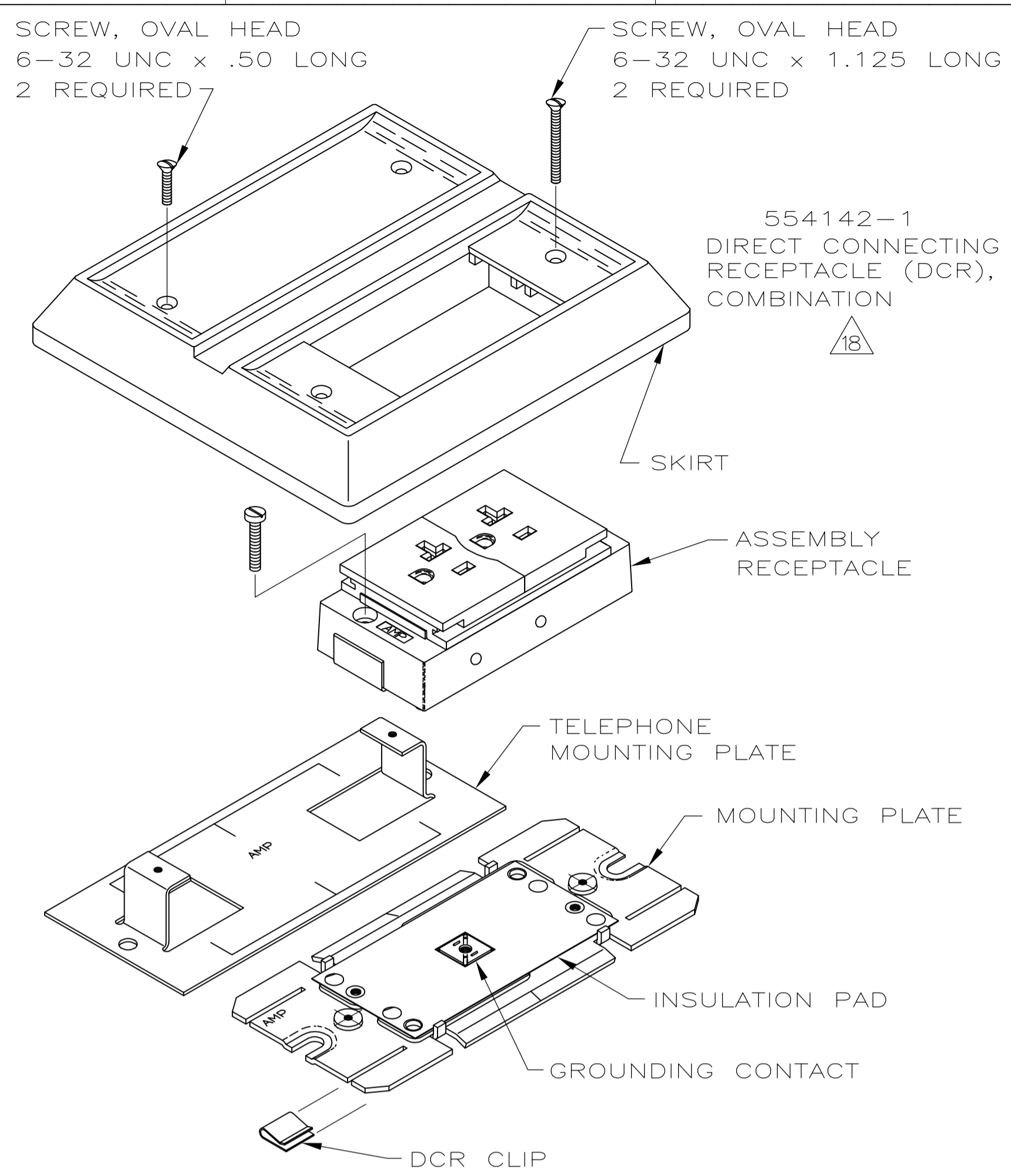
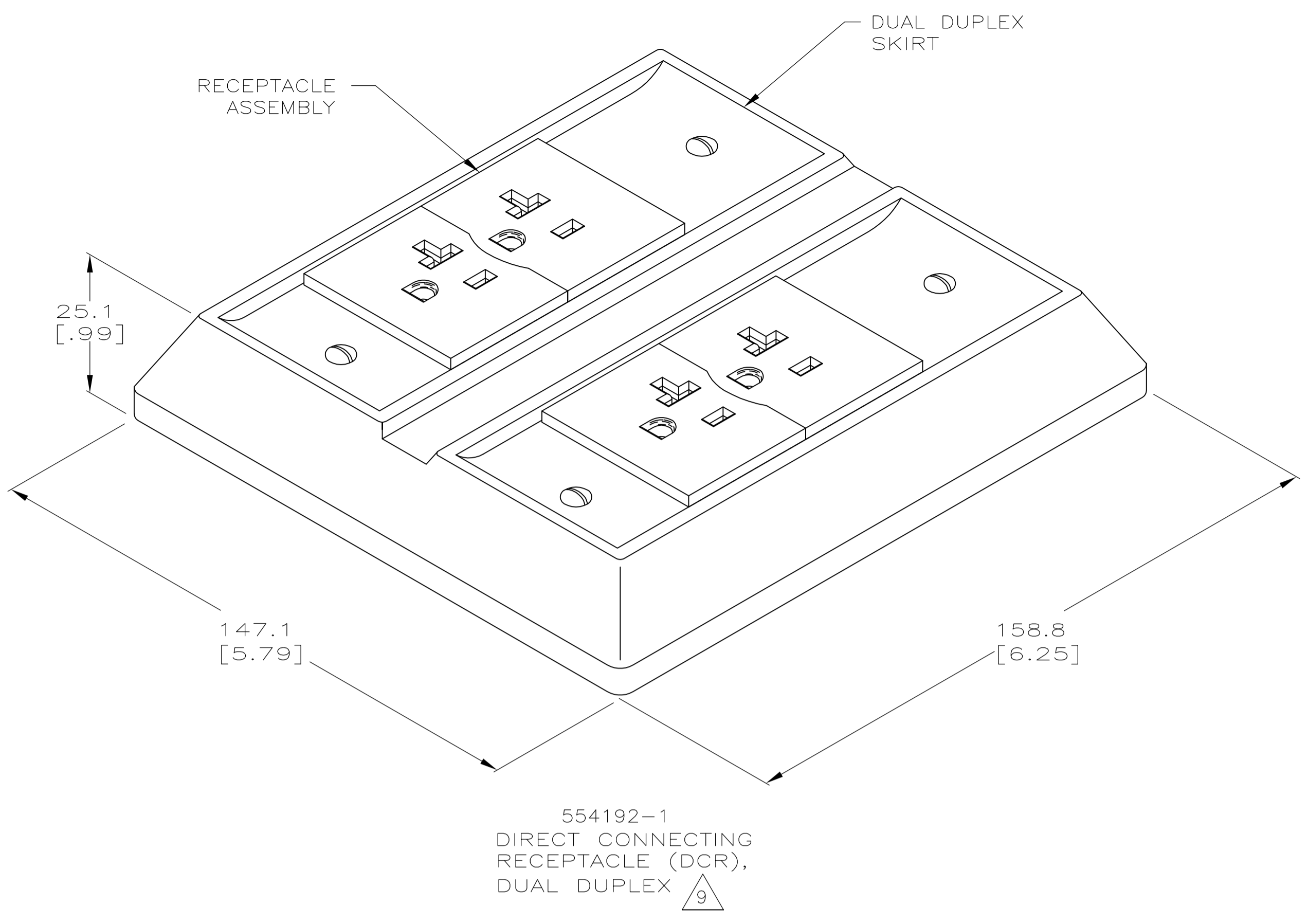


LOC	DIST	REVISIONS				
HM	00	REV	DESCRIPTION	DATE	BY	APPV
-	-	1	SEE SHEET 1	-	-	-

- 9 DUAL DUPLEX KIT, DIRECT CONNECTING RECEPTACLE: SKIRT - FLAME RETARDANT PLASTIC. RECEPTACLE - THERMOPLASTIC. HARDWARE - ZINC PLATED STEEL. TERMINALS AND GROUND DISC - COPPER ALLOY. INSULATION PAD - VULCANIZED FIBRE. MOUNTING PLATES - GALVANIZED CARBON STEEL. GND. CLIP - STAINLESS STEEL.
- 10 POWER TRANSITION BLOCK: UPPER ASSEMBLY - POLYESTER MOLDING COMPOUND. LOWER ASSEMBLY - CARBON STEEL, PREGALVANIZED, G90 PLATING. TERMINAL SCREWS - BRASS. ASSEMBLY SCREWS - ZINC PLATED STEEL. TERMINALS - COPPER ALLOY. WASHERS - FIBER.
- 11 CATEGORY 5E TRANSITION BLOCK: PRINTED CIRCUIT BOARD - LAMINATED PLASTIC SHEET, 1.57[.062] THICK. 110 BLOCK-POLYMER MOLDING COMPOUND, IVORY. TERMINALS-PHOSPHOR BRONZE PLATED WITH 3.81 μm[.000150] MINIMUM THICK TIN-LEAD OVER 1.27 μm[.000050] MINIMUM THICK NICKEL UNDERPLATE. MOUNTING TRACK-POLYMER MOLDING COMPOUND, BLACK.
- 12 FLOOR PREPARATION: POLYVINYL CHLORIDE SHEET, YELLOW, 0.25 [.010] THICK.
- 13 FLAT CABLE FILM-POLYESTER. CONDUCTORS-COPPER. SHIELD-POLYVINYL CHLORIDE.
- 14 MULTI-PURPOSE TAPE: ADHESIVE BACKED POLYETHYLENE COATED COTTON CLOTH, BLACK, 0.33 [.013] THICK

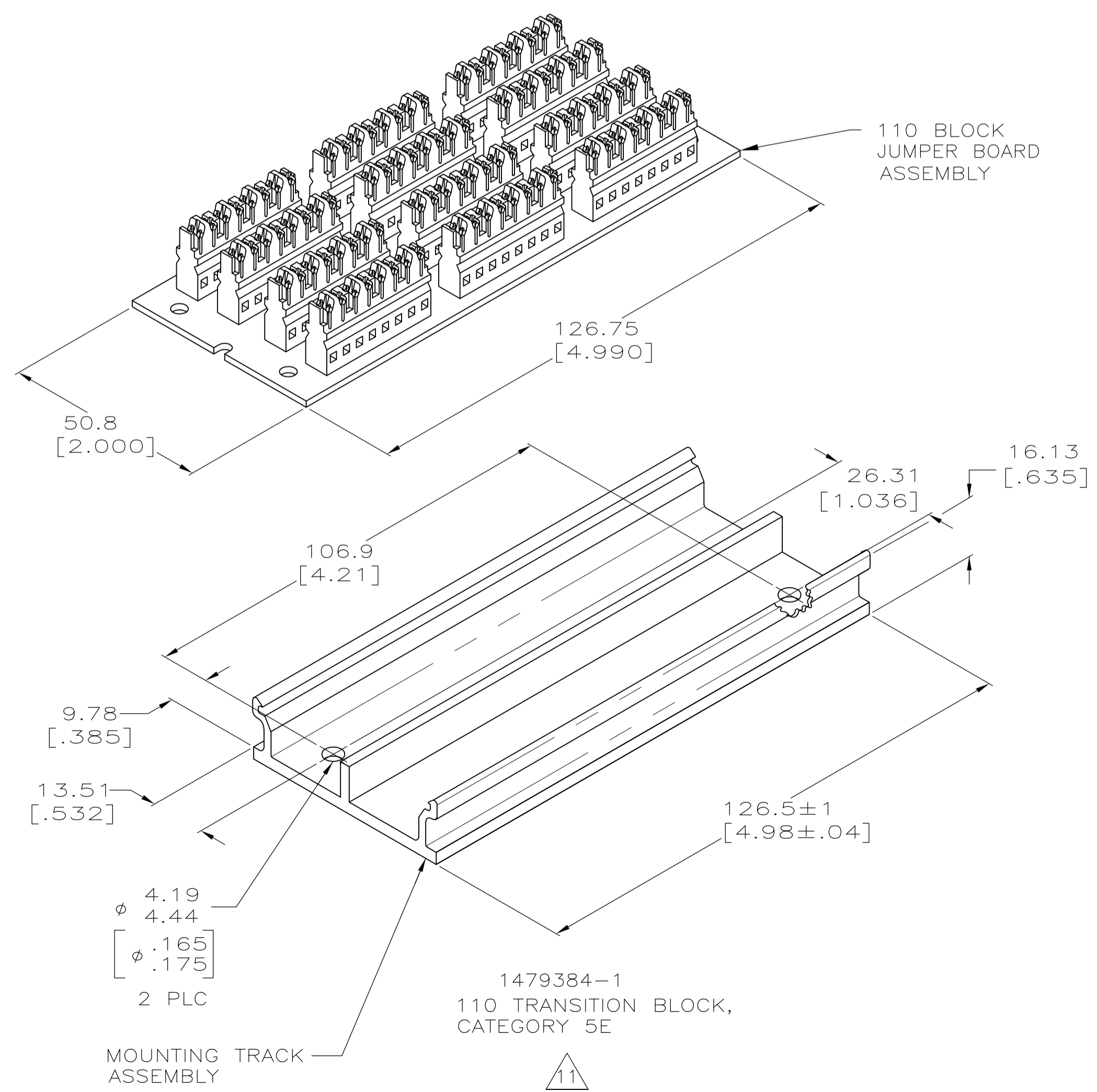
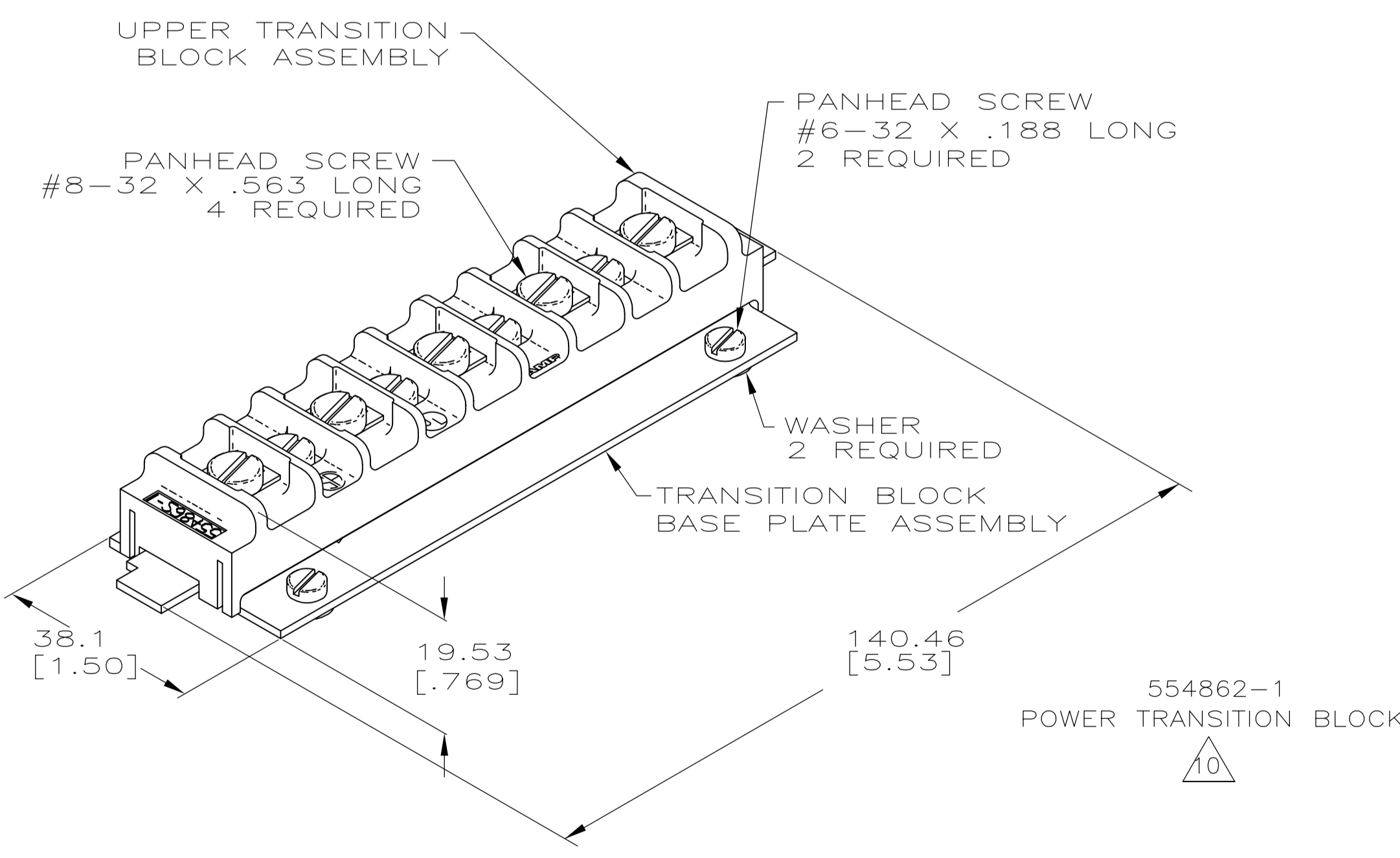
(NOTES CONTINUED ON SHEET 3)

THIS DRAWING IS A CONTROLLED DOCUMENT.		DIN	L. HALL	30JUL01	 TE Connectivity
DIMENSIONS: mm [INCHES]		CHK	L. SMITH	27JUL01	
TOLERANCES UNLESS OTHERWISE SPECIFIED:		APVD	F. LINCOLN	30JUL01	NAME
0. PLC	± .001	PRODUCT SPEC		KIT, POWER/DATA, UC	
1. PLC	± .002	APPLICATION SPEC		-	
2. PLC	± .003	SIZE	CAGE CODE	DRAWING NO	RESTRICTED TO
3. PLC	± .004	WEIGHT	-	A1 00779	-
4. PLC	± .005	SCALE		1479050	-
ANGLES	± .005	CUSTOMER DRAWING		SCALE	NONE
		SHEET		2	4
		REV		J	

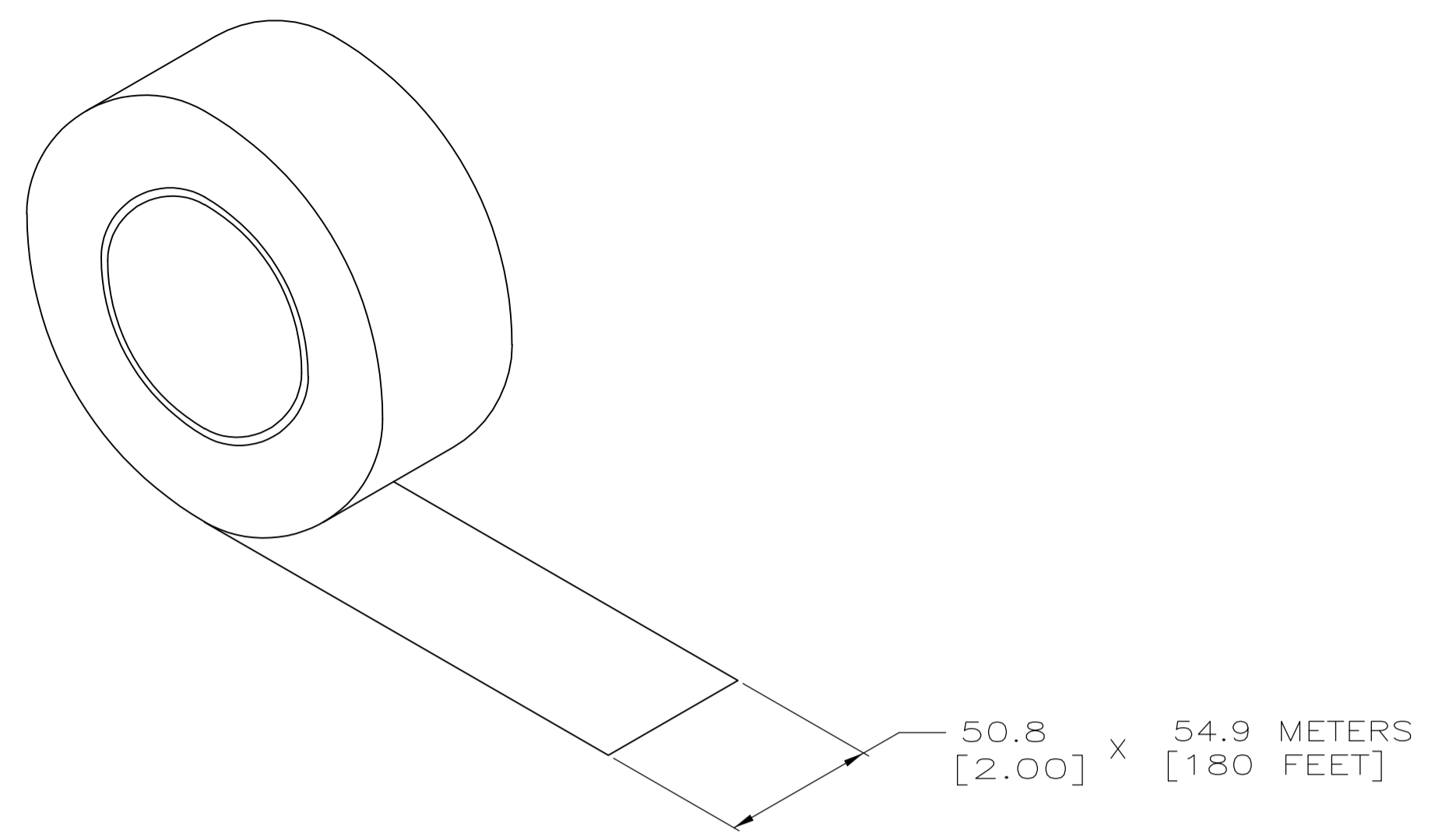


LOC	DIST	REVISIONS			
F	LTR	DESCRIPTION	DATE	DN	APVO
-	-	SEE SHEET 1	-	-	-

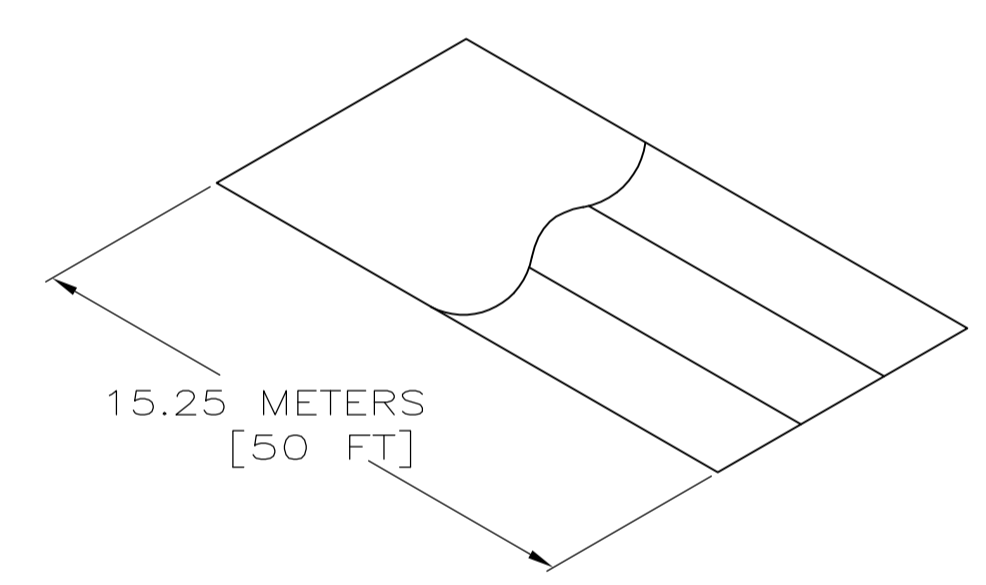
- 15 TOP SHIELD:
STAINLESS STEEL,
0.25 [.010] THICK.
- 16 FLOOR PREPARATION ADHESIVE:
24 FLUID OUNCES.
- 17 FLOOR FITTING KIT,
DUAL, BLANK, 4 PORT:
SKIRT-FLAME RETARDANT PLASTIC.
HARDWARE-ZINC OR BLACK OXIDE PLATED
CARBON STEEL.
MOUNTING PLATE-GALVANIZED CARBON STEEL.
- 18 FLOOR FITTING KIT:
SKIRT - FLAME RETARDANT PLASTIC.
RECEPTACLE - THERMOPLASTIC.
HARDWARE - ZINC PLATED STEEL.
TERMINALS AND GROUND DISC -
COPPER ALLOY.
INSULATION PAD - VULCANIZED FIBRE.
MOUNTING PLATES - GALVANIZED
CARBON STEEL.
DCR CLIP - STAINLESS STEEL.



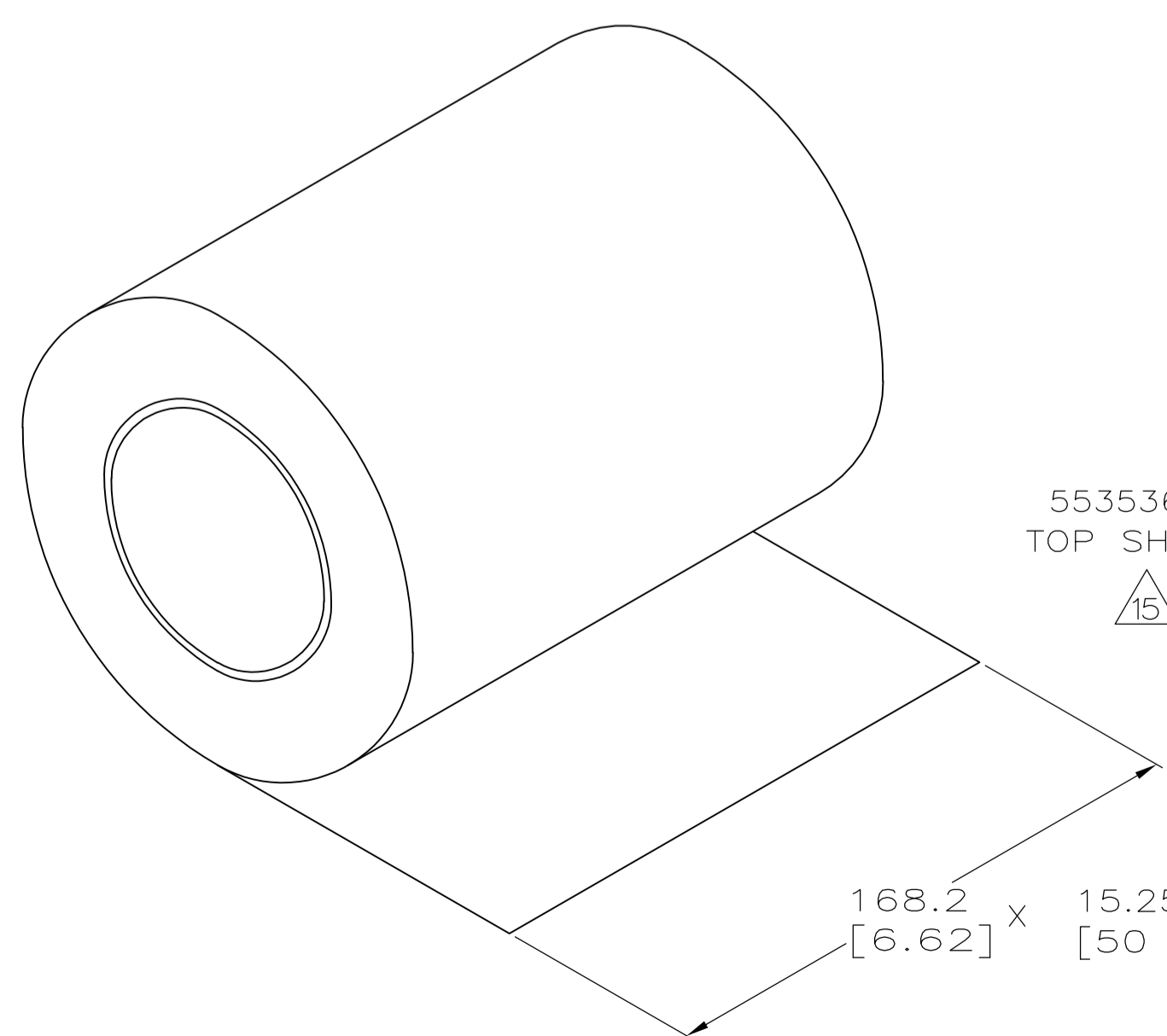
THIS DRAWING IS A CONTROLLED DOCUMENT.		DIN	L. HALL	30JUL01
DIMENSIONS: mm [INCHES]		CHK	L. SMITH	27JUL01
TOLERANCES UNLESS OTHERWISE SPECIFIED:		APVD	F. LINCOLN	30JUL01
0. PLC	± .15	NAME	KIT, POWER/DATA, UC	
1. PLC	± .10	PRODUCT SPEC	-	
2. PLC	± .075	APPLICATION SPEC	-	
3. PLC	± .05	SIZE	A1	00779
4. PLC	± .025	SCALE	NONE	1479050
ANGLES	± .1	WEIGHT	-	
MATERIAL		CUSTOMER DRAWING		SCALE NONE SHEET 3 OF 4 REV J



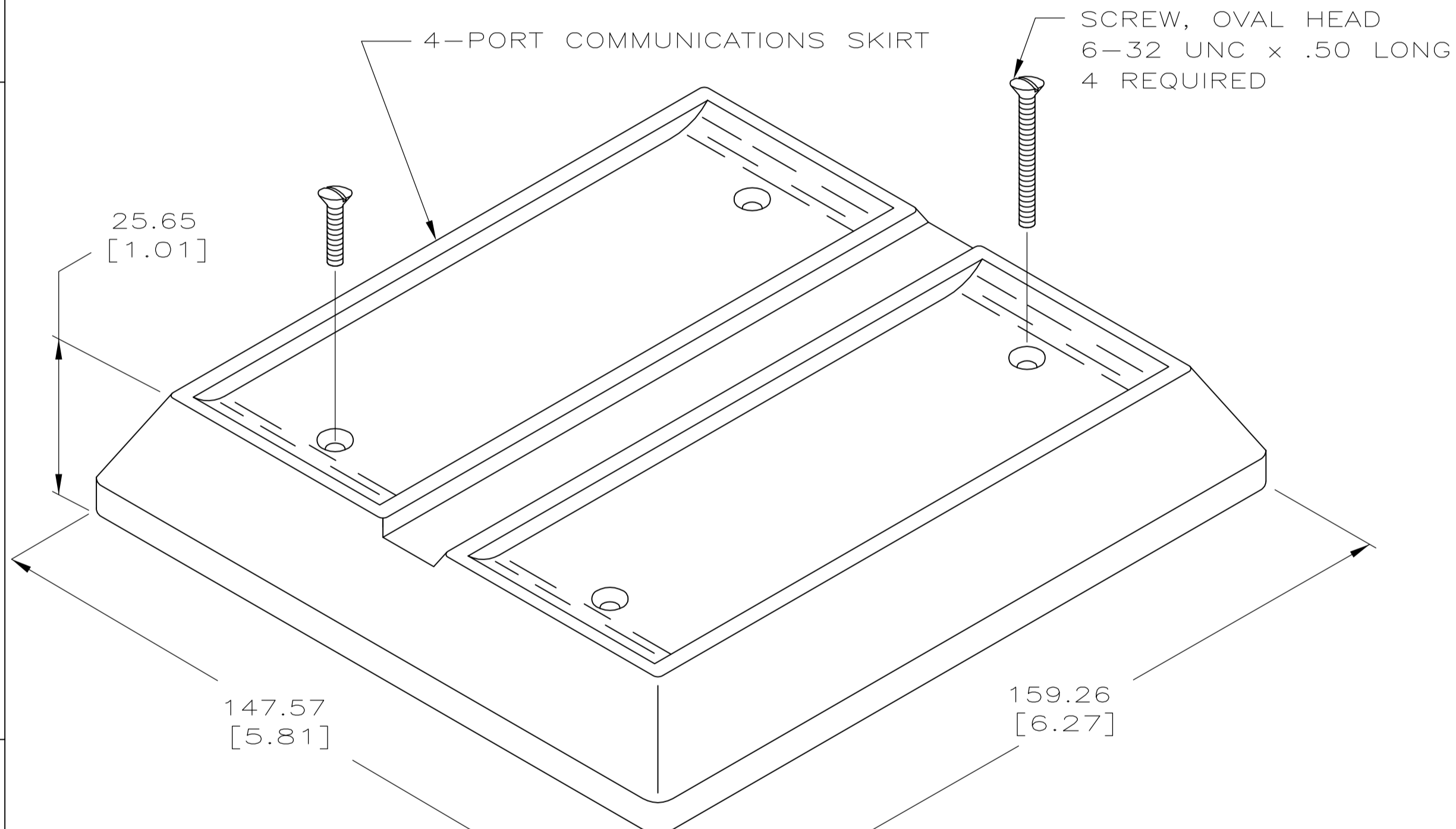
553481-1
HOLD DOWN TAPE, ROLL



3-553079-3
FLAT CONDUCTOR CABLE
(TYPE FCC), 3 CONDUCTOR,
12 AWG



553536-3
TOP SHIELD

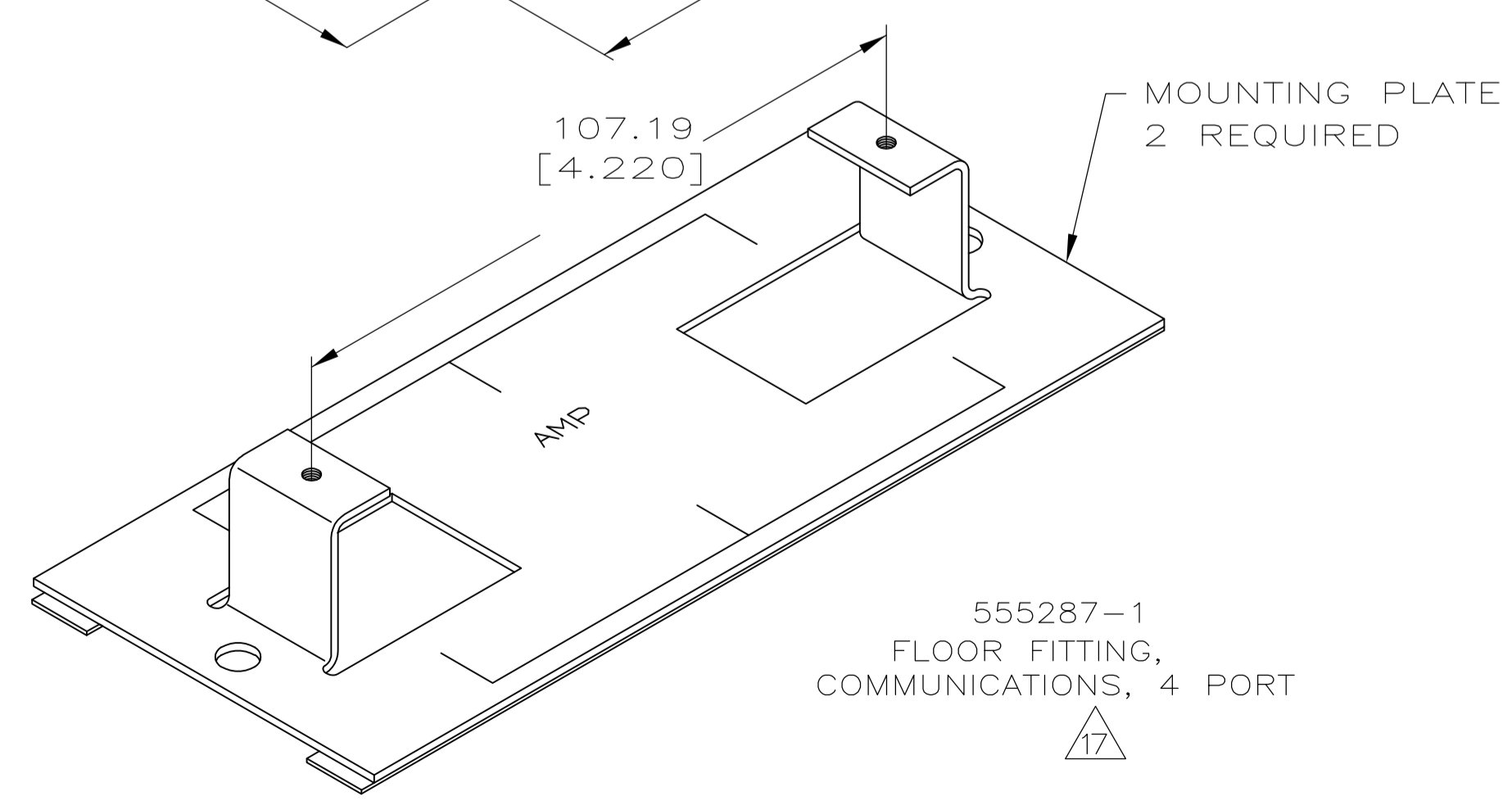


25.65 [1.01]

SCREW, OVAL HEAD
6-32 UNC x .50 LONG
4 REQUIRED

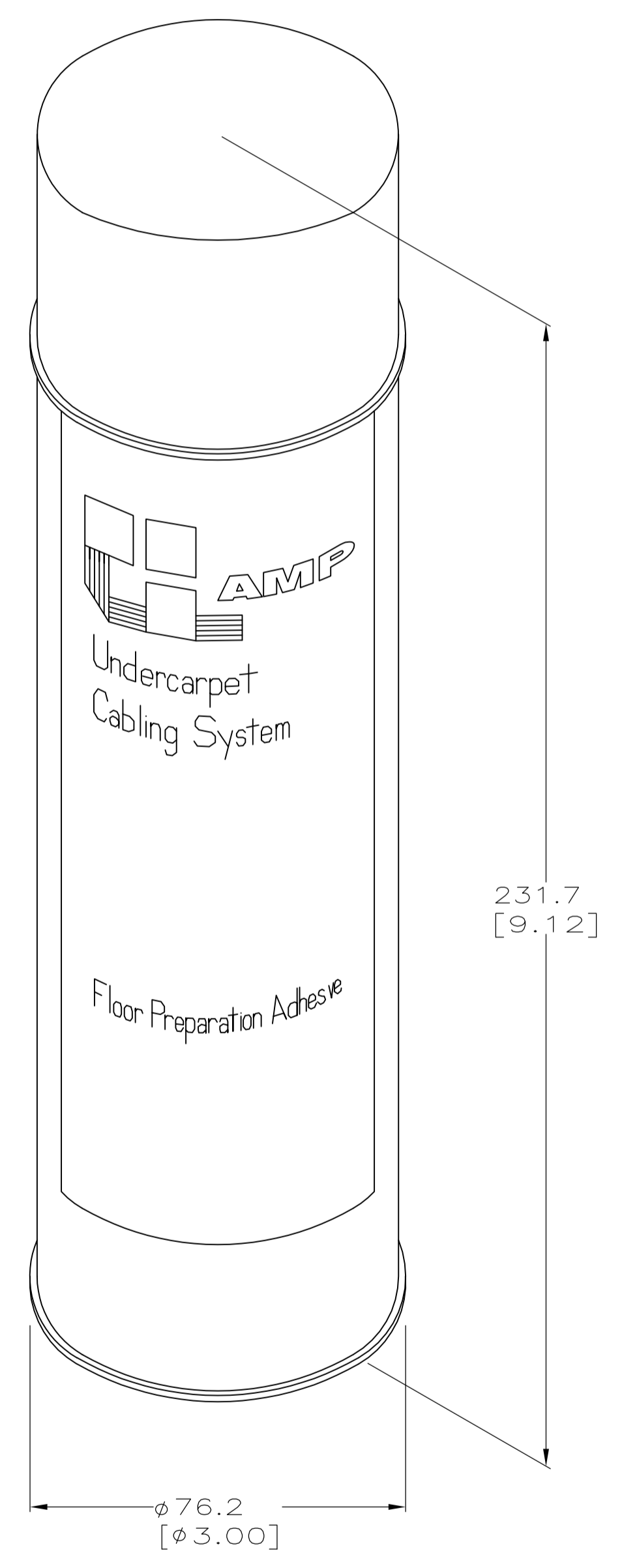
147.57 [5.81]

159.26 [6.27]



MOUNTING PLATE
2 REQUIRED

555287-1
FLOOR FITTING,
COMMUNICATIONS, 4 PORT



6-553453-2
SPRAY
ADHESIVE
CAN

THIS DRAWING IS A CONTROLLED DOCUMENT.		DIN L HALL 30JUL01	TE Connectivity	
DIMENSIONS: mm [INCHES]		CHK L SMITH 27JUL01		
TOLERANCES UNLESS OTHERWISE SPECIFIED:		APVD F LINCOLN 30JUL01	NAME KIT, POWER/DATA, UC	
0 PLC ± -	1 PLC ± -	PRODUCT SPEC	-	
2 PLC ± -	3 PLC ± -	APPLICATION SPEC	-	
4 PLC ± -	ANGLES ± -	SIZE	CAGE CODE	DRAWING NO
MATERIAL		WEIGHT	A1 00779	1479050
FINISH		CUSTOMER DRAWING	SCALE NONE	SHEET 4 OF 4

Mouser Electronics

Authorized Distributor

Click to View Pricing, Inventory, Delivery & Lifecycle Information:

[TE Connectivity Divested:](#)

[1479050-1](#)