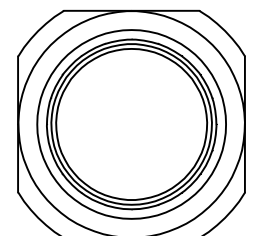
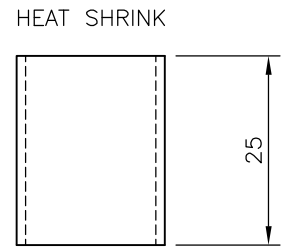
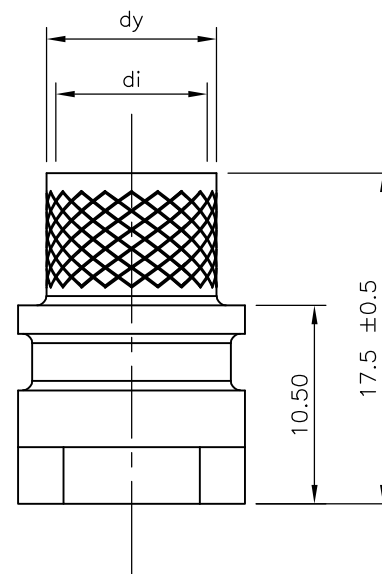
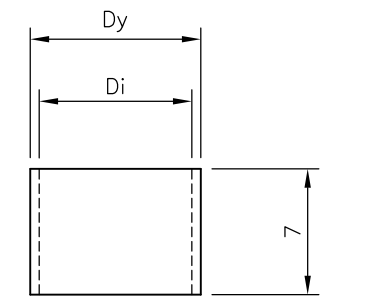
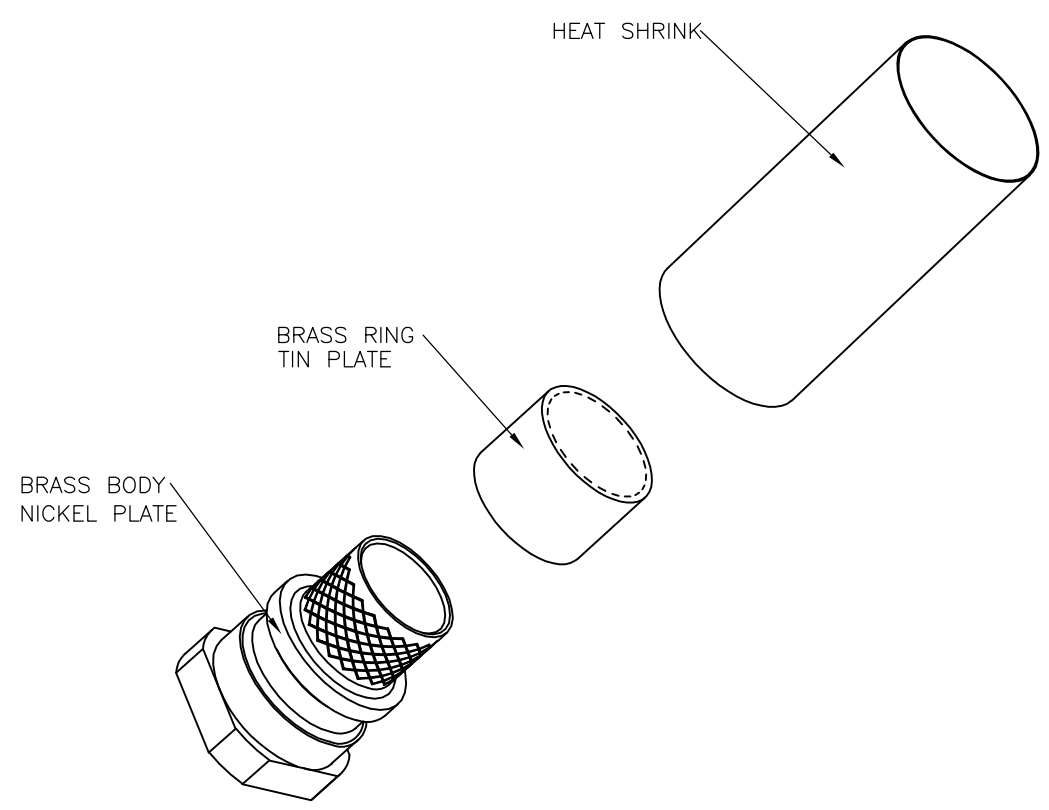


THIS DRAWING IS UNPUBLISHED. RELEASED FOR PUBLICATION 19JUNE ,2006.

© COPYRIGHT 2006 By - ALL RIGHTS RESERVED.

LOC GP	DIST 00	REVISIONS			
P	LTR	DESCRIPTION	DATE	DWN	APVD
	G	REVISED PER ECO-15-000643	24JAN2015	AP	PR




- 1 BULK PACKAGED CRIMP KIT ASSEMBLIES: EACH COMPONENT PACKAGED SEPARATELY IN BAGS, 100 COMPONENTS PER BAG. 1 BAG OF EACH COMPONENT IN 1 BOX WITH 1 LEAFLET PER BOX.
- 2. FOR APPLICATION DETAILS REFER TO LEAFLET 1478531-1.
- 3 INDIVIDUALLY PACKAGED CRIMP KIT ASSEMBLIES. EACH BAG CONTAINS ENOUGH COMPONENTS FOR 1 ASSEMBLY. INCLUDES 1 LEAFLET PER BOX OF 100 BAGS.

1478764-4	8	9	10	11	9.5mm DIA
1478764-3	7	8	9	10	8.5mm DIA
1478764-2, 5-1478764-2	6	7	8	9	7.5mm DIA
1478764-1, 5-1478764-1	4	5	6	7	6.0mm DIA
PART NUMBER	di	dy	Di	Dy	CABLE MAX DIA

1	CRIMP KIT 7.5mm CABLE	5-1478764-2	△
1	CRIMP KIT 6mm CABLE	5-1478764-1	△
100	CRIMP KIT 9.5mm CABLE	1478764-4	△
100	CRIMP KIT 8.5mm CABLE	1478764-3	△
100	CRIMP KIT 7.5mm CABLE	1478764-2	△
100	CRIMP KIT 6mm CABLE	1478764-1	△
COMPONENTS/ BAG	DESCRIPTION	PART NUMBER	

THIS DRAWING IS A CONTROLLED DOCUMENT. DIMENSIONING AND TOLERANCING PER ASME Y14.5M (ISO STANDARDS)

DWN A.Morey 19JUN2006	 TE Connectivity CRIMP KIT FOR ADK SERIES AND PLATED PLASTIC BACKSHELLS
CHK F.Wheeler-King 20JUN06	
APVD F.Wheeler-King 20JUN06	
PRODUCT SPEC -	
APPLICATION SPEC -	NAME -
WEIGHT -	SIZE A3
CUSTOMER DRAWING	CAGE CODE 00779
	DRAWING NO C-1478764
	RESTRICTED TO -
	SCALE NTS
	SHEET 1 OF 1
	REV G

Mouser Electronics

Authorized Distributor

Click to View Pricing, Inventory, Delivery & Lifecycle Information:

[TE Connectivity:](#)

[1478764-2](#)