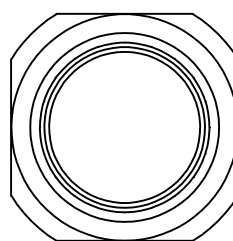
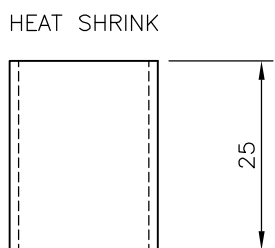
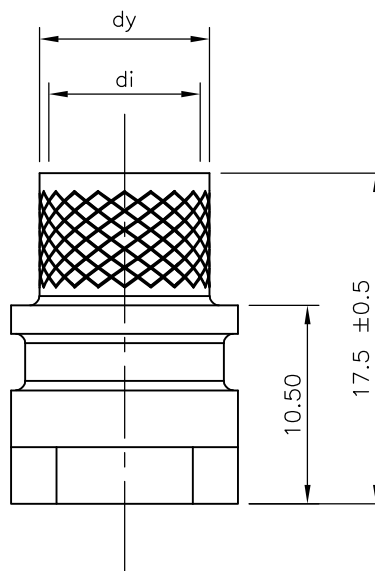
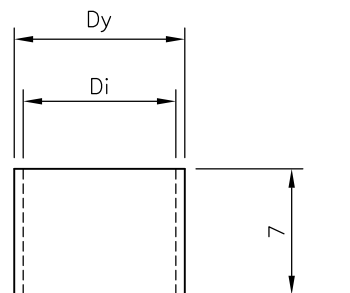
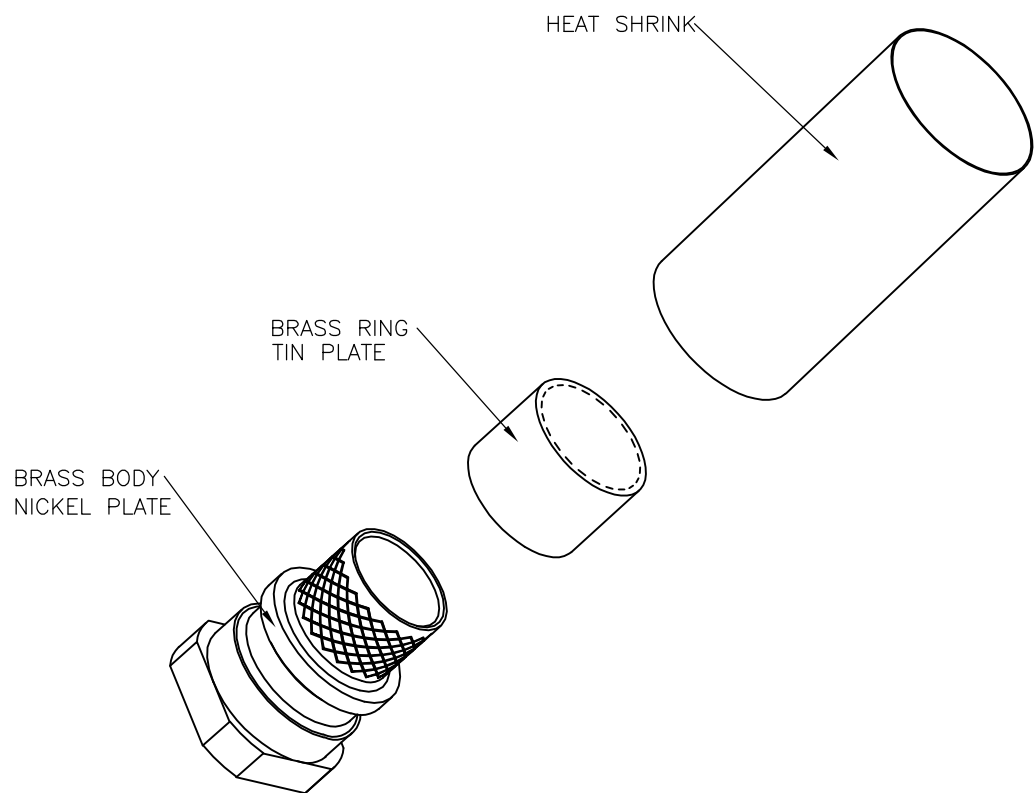


THIS DRAWING IS UNPUBLISHED. RELEASED FOR PUBLICATION 19JUNE ,2006.

© COPYRIGHT 2006 By - ALL RIGHTS RESERVED.

| | | | | | |
|-----------|------------|---------------------------|-----------|-----|------|
| LOC GP | DIST 00 | REVISIONS | | | |
| P | LTR | DESCRIPTION | DATE | DWN | APVD |
| | G | REVISED PER ECO-15-000643 | 24JAN2015 | AP | PR |

- 1 BULK PACKAGED CRIMP KIT ASSEMBLIES: EACH COMPONENT PACKAGED SEPARATELY IN BAGS, 100 COMPONENTS PER BAG. 1 BAG OF EACH COMPONENT IN 1 BOX WITH 1 LEAFLET PER BOX.
- 2. FOR APPLICATION DETAILS REFER TO LEAFLET 1478531-1.
- 3 INDIVIDUALLY PACKAGED CRIMP KIT ASSEMBLIES. EACH BAG CONTAINS ENOUGH COMPONENTS FOR 1 ASSEMBLY. INCLUDES 1 LEAFLET PER BOX OF 100 BAGS.



| | | | | | |
|------------------------|----|----|----|----|---------------|
| 1478764-4 | 8 | 9 | 10 | 11 | 9.5mm DIA |
| 1478764-3 | 7 | 8 | 9 | 10 | 8.5mm DIA |
| 1478764-2, 5-1478764-2 | 6 | 7 | 8 | 9 | 7.5mm DIA |
| 1478764-1, 5-1478764-1 | 4 | 5 | 6 | 7 | 6.0mm DIA |
| PART NUMBER | di | dy | Di | Dy | CABLE MAX DIA |

| | | | |
|--------------------|-----------------------|-------------|---|
| 1 | CRIMP KIT 7.5mm CABLE | 5-1478764-2 | △ |
| 1 | CRIMP KIT 6mm CABLE | 5-1478764-1 | △ |
| 100 | CRIMP KIT 9.5mm CABLE | 1478764-4 | △ |
| 100 | CRIMP KIT 8.5mm CABLE | 1478764-3 | △ |
| 100 | CRIMP KIT 7.5mm CABLE | 1478764-2 | △ |
| 100 | CRIMP KIT 6mm CABLE | 1478764-1 | △ |
| COMPONENTS/ BAG | DESCRIPTION | PART NUMBER | |

THIS DRAWING IS A CONTROLLED DOCUMENT. DIMENSIONING AND TOLERANCING PER ASME Y14.5M (ISO STANDARDS)

| | |
|-------------------|----------------------------------------|
| DIMENSIONS: mm | TOLERANCES UNLESS OTHERWISE SPECIFIED: |
| | 0 PLC ± - |
| | 1 PLC ± - |
| | 2 PLC ± - |
| | 3 PLC ± - |
| | 4 PLC ± - |
| | ANGLES ± - |

| | |
|----------|--------|
| MATERIAL | FINISH |
| - | - |

| | |
|------------------|-----------|
| DWN | 19JUN2006 |
| CHK | 20JUN06 |
| APVD | 20JUN06 |
| PRODUCT SPEC | - |
| APPLICATION SPEC | - |
| WEIGHT | - |
| CUSTOMER DRAWING | |

STE TE Connectivity

NAME: -
CRIMP KIT FOR ADK SERIES AND PLATED PLASTIC BACKSHELLS

| | | | |
|------|-----------|------------|---------------|
| SIZE | CAGE CODE | DRAWING NO | RESTRICTED TO |
| A3 | 00779 | C-1478764 | - |

SCALE: NTS SHEET: 1 OF 1 REV: G

Mouser Electronics

Authorized Distributor

Click to View Pricing, Inventory, Delivery & Lifecycle Information:

[TE Connectivity:](#)

[1478764-4](#)