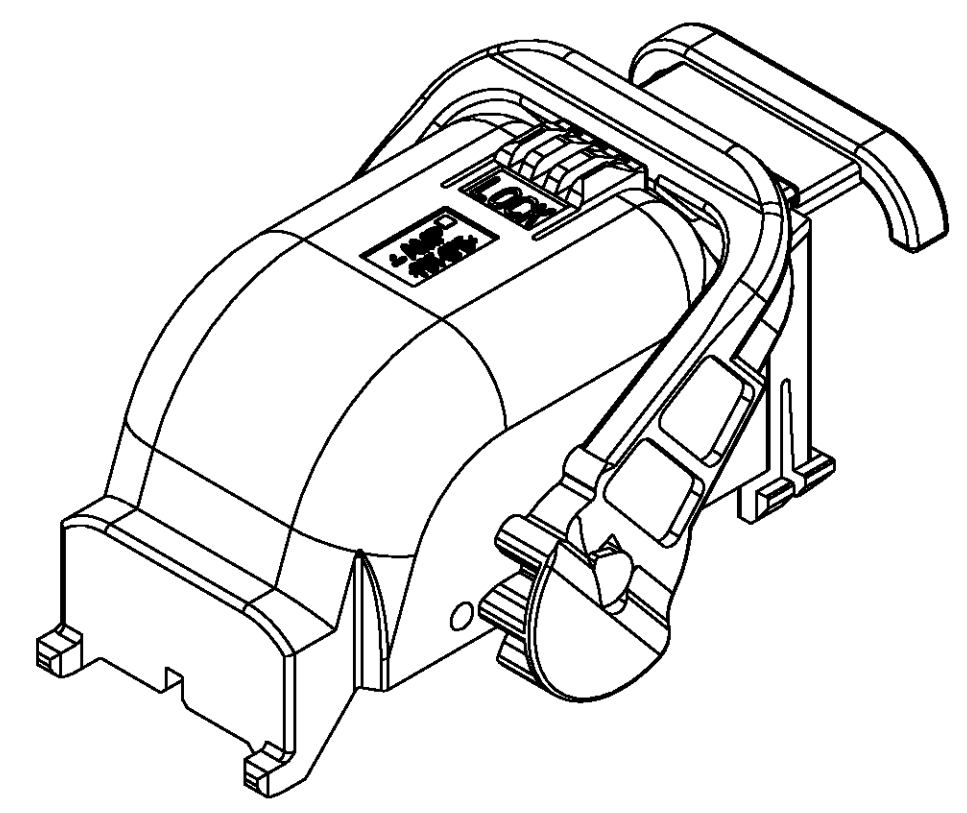
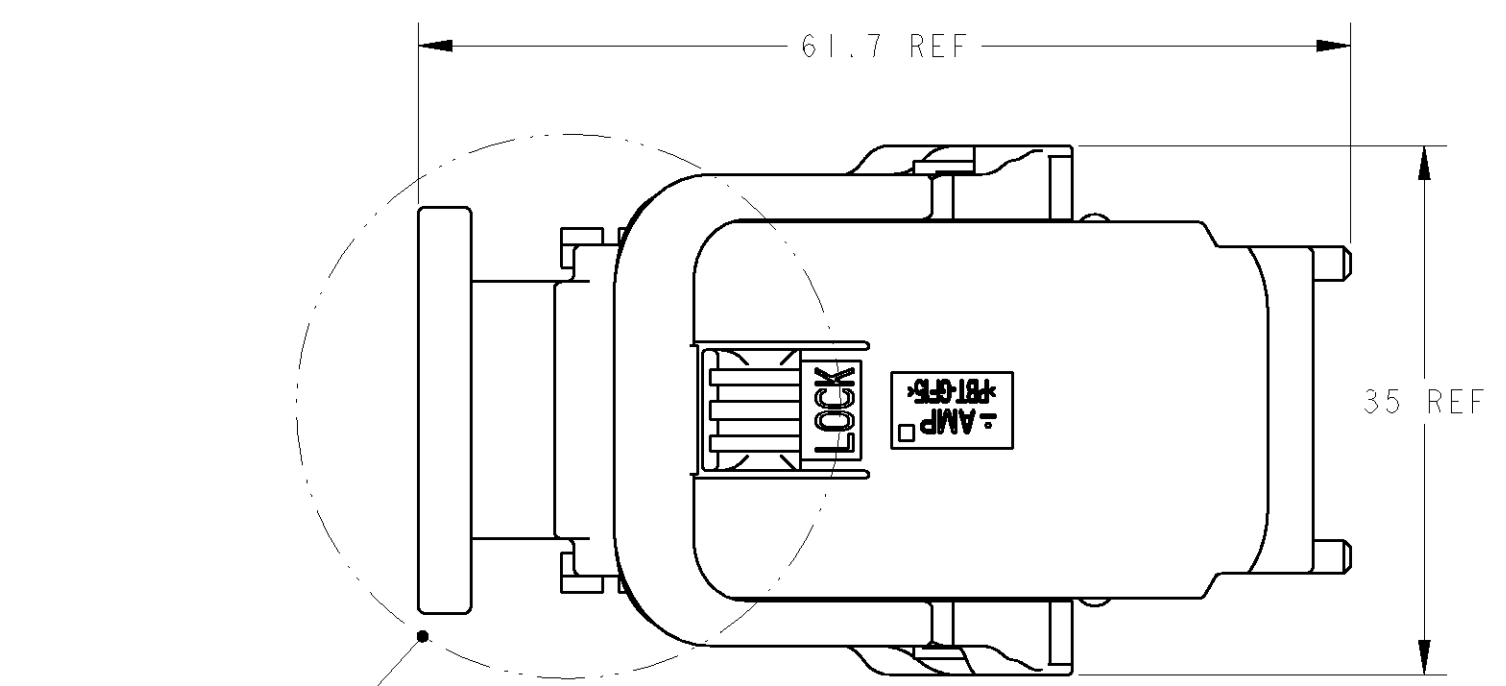


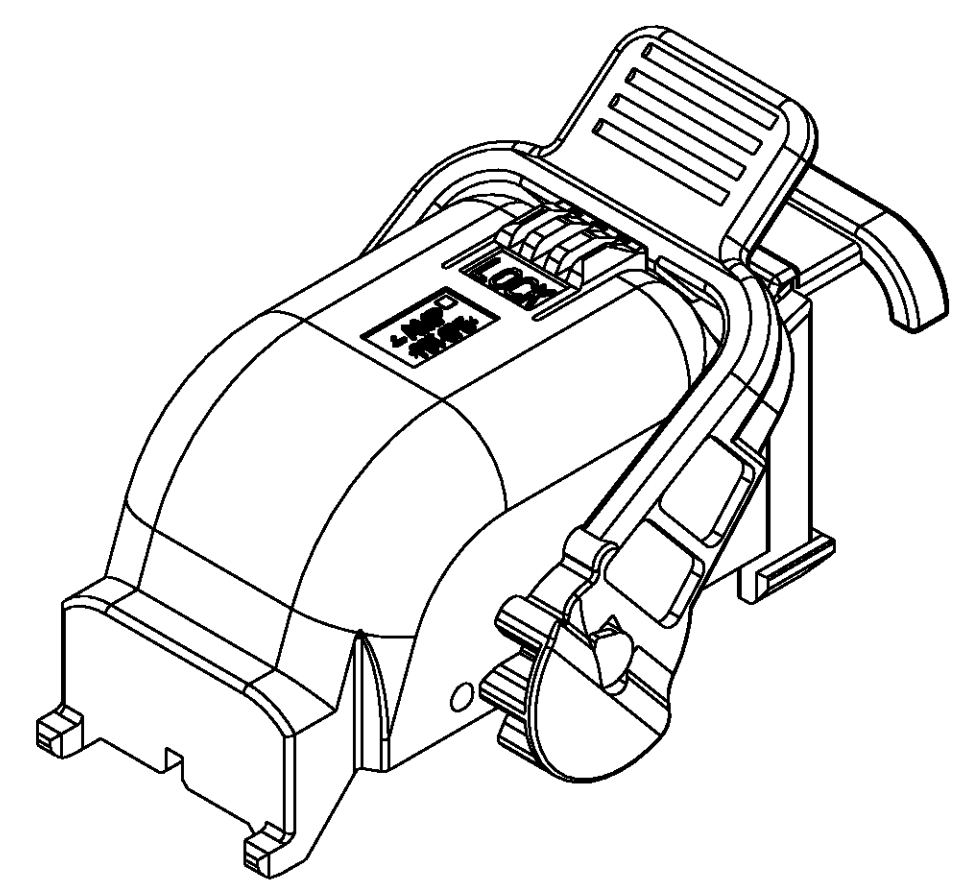
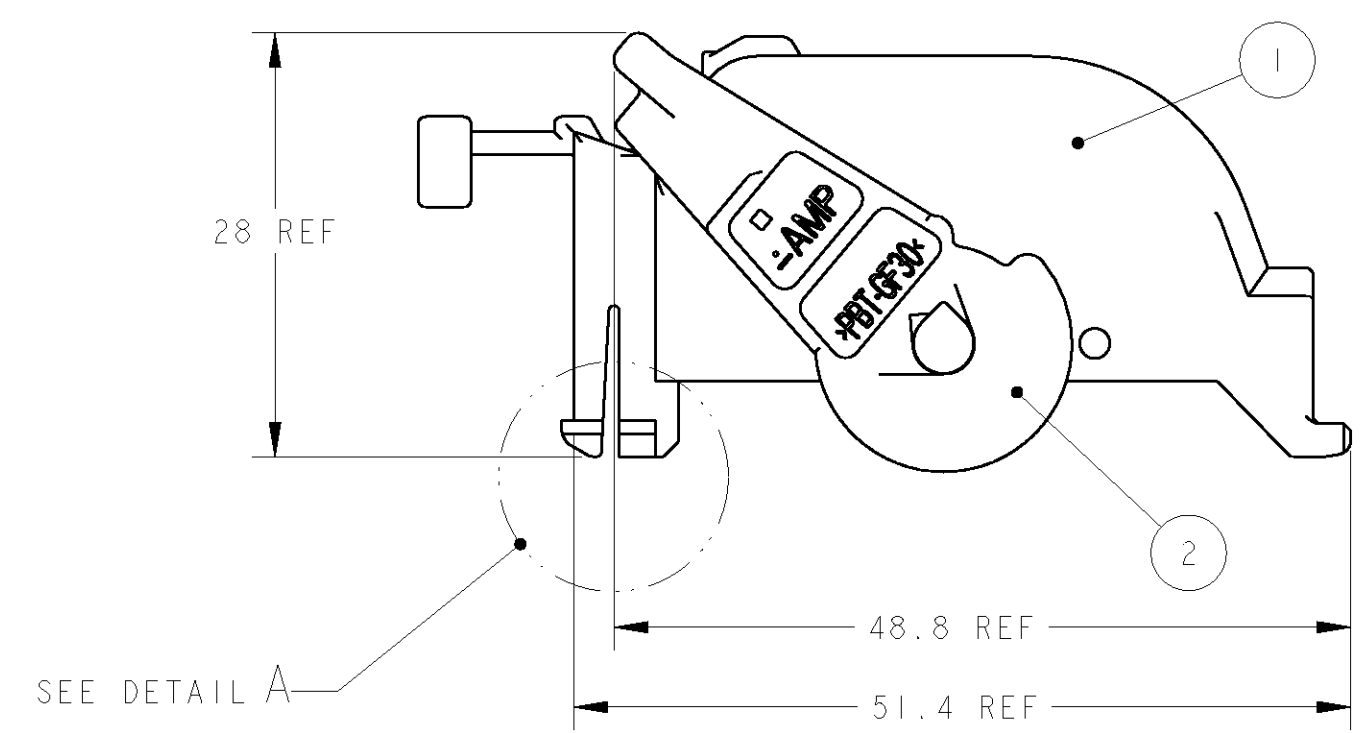
THIS DRAWING IS UNPUBLISHED. RELEASED FOR PUBLICATION
 © COPYRIGHT BY TYCO ELECTRONICS CORPORATION. ALL RIGHTS RESERVED.

LOC	DIST	REVISIONS				
P	LTR	DESCRIPTION	ECN	DATE	DWN	APVD
-	0	RELEASED	FJ00-2386-01	10OCT01	Y.K	N.S
-	01	ADD "-2" SLIT TYPE	ECR-05-000427	09MAR2005	S.Y	Y.F
-	A	ADD LONG LEVER TYPE	ECR-07-010628	07MAY07	T.J	Y.F



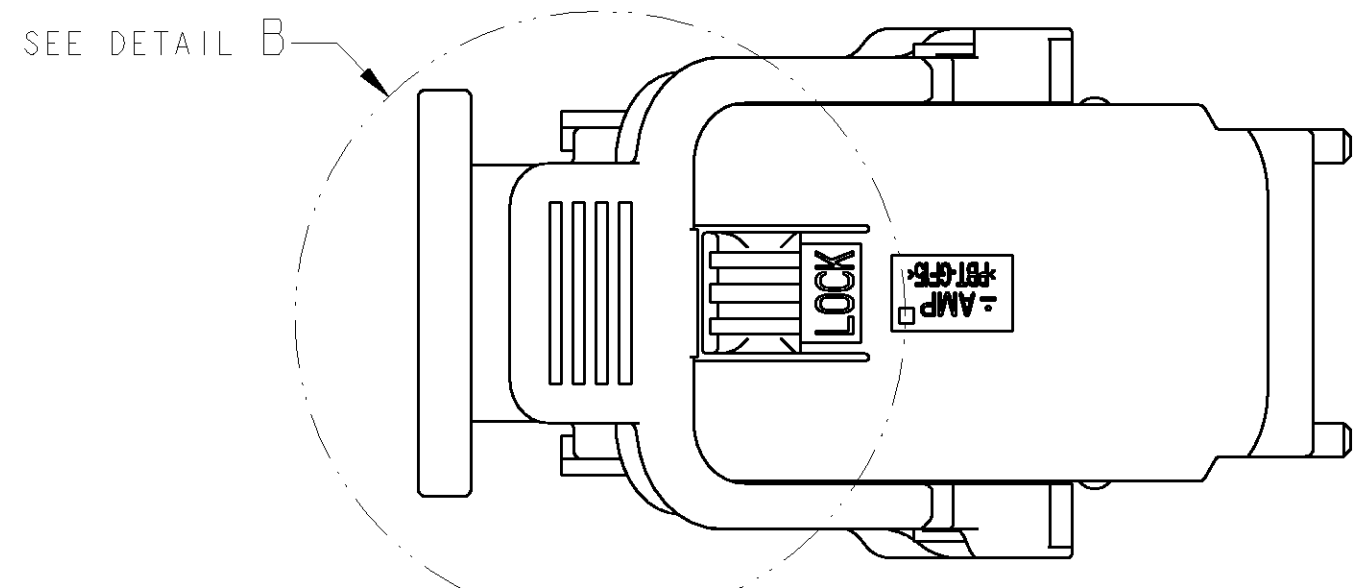
STANDARD LEVER TYPE

DETAIL A		
TYPE	SLIT TYPE	NO SLIT TYPE
P/N	1473255-1	1473255-2, -3

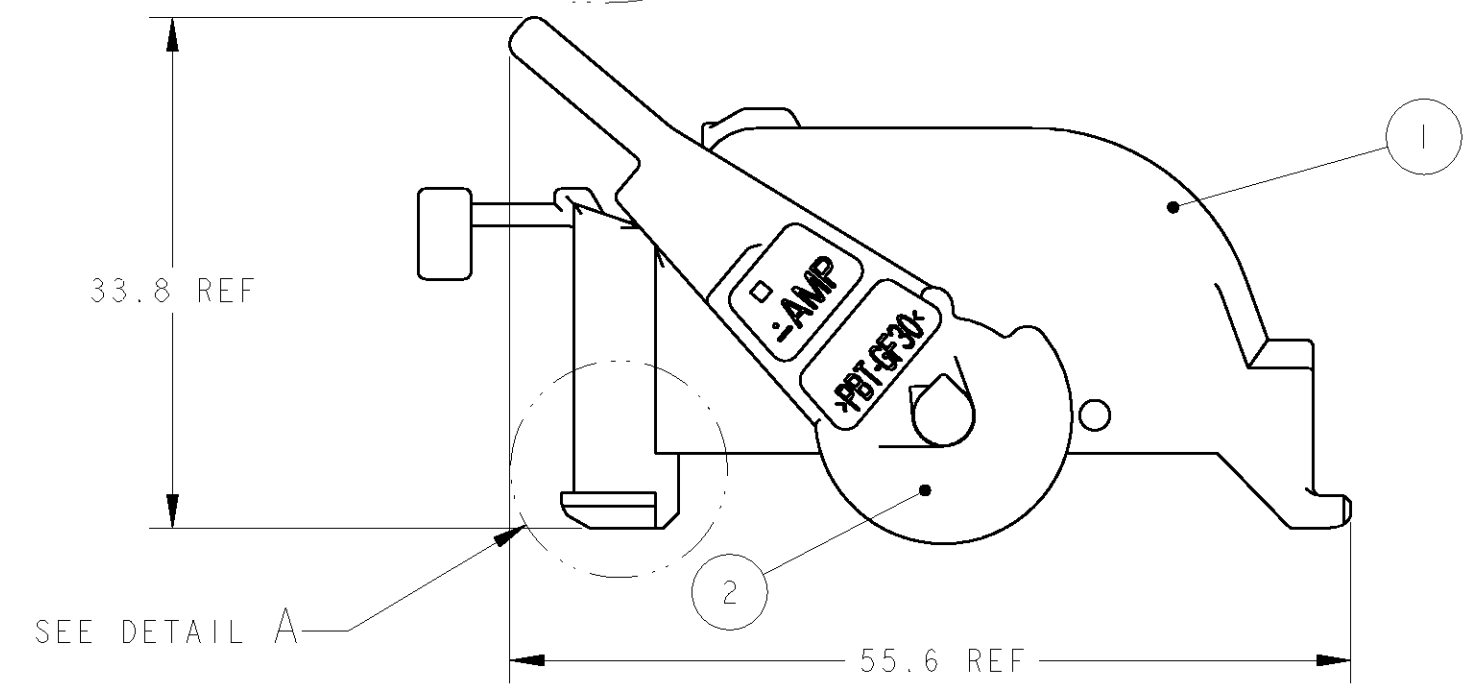


LONG LEVER TYPE

DETAIL B		
TYPE	STANDARD LEVER TYPE	LONG LEVER TYPE
P/N	1473255-1, -2	1473255-3



- 1. PART NUMBER OF PLUG HOUSING ASSEMBLY TO BE APPLIED ; SEE PRODUCT SPEC.
 - 2. INSTRUCTION SHEET NO ; 411-78008 / 411-78142
1. 適用プラグハウジングアセンブリ型番は、製品規格参照のこと。
 2. 取扱説明書 NO ; 411-78008 / 411-78142



1	-	-	LEVER (LONG TYPE)	WHITE	2
-	1	1	LEVER (STANDARD TYPE)	BLACK	
1	1	-	HARNESS COVER (NO SLIT)	BLACK	1
-	-	1	HARNESS COVER (SLIT)	BLACK	
-3	-2	-1	PART NAME	FINISH/COLOR	NO

THIS DRAWING IS A CONTROLLED DOCUMENT FOR TYCO ELECTRONICS CORPORATION IT IS SUBJECT TO CHANGE AND THE CONTROLLING ENGINEERING ORGANIZATION SHOULD BE CONTACTED FOR THE LATEST REVISION		DWN T. JIANG 07 JUN 07 CHK Y. NOGUCHI 07 JUN 07 APVD Y. FUJIWARA 07 JUN 07	Tyco Electronics Corporation Kawasaki, Japan
DIMENSIONS: mm	TOLERANCES UNLESS OTHERWISE SPECIFIED: - 一般公差 = ±0.3 0-PLC ± 1-PLC ±0.5 2-PLC ±0.13 3-PLC ±0.013 4-PLC ±0.001 ANGLES ± FINISH SEE TABLE	PRODUCT SPEC 108-5793, 108-5977 APPLICATION SPEC 114-18021, 114-18050 WEIGHT 10.7g	NAME LEVER ASSY TYPE-A (STEER THE WIRE OUTSIDE) SEALED 40POS. PLUG HSG MOS CLEAN BODY/JPT SIZE A2 CAGE CODE 00779 DRAWING NO 1473255 RESTRICTED TO
MATERIAL PBT		CUSTOMER DRAWING	
SCALE 2.1		SHEET OF REV A	

Mouser Electronics

Authorized Distributor

Click to View Pricing, Inventory, Delivery & Lifecycle Information:

[TE Connectivity:](#)

[1473255-1](#)