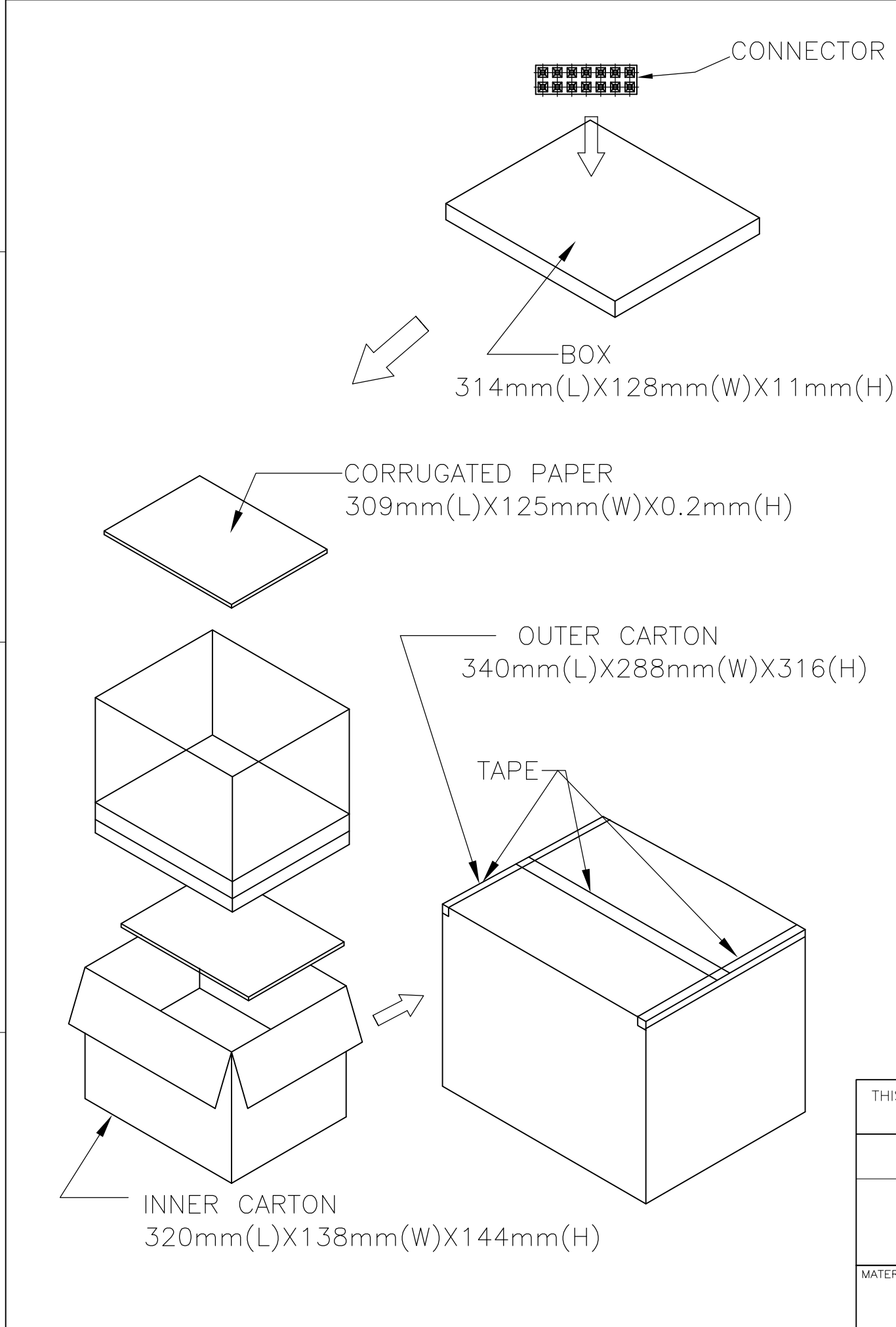



THIS DRAWING IS UNPUBLISHED
 RELEASED FOR PUBLICATION NOV ,2001.
 ALL RIGHTS RESERVED.
 © COPYRIGHT 2009 By -

LOC	DIST	REVISIONS			
P	LTR	DESCRIPTION	DATE	DWN	APVD
	-	SEE SHEET 1	-	-	-



OBSOLETE	"L"	Pcs/Carton	Pcs/Inner Carton	Pcs/BOX	POS.	PART NUMBER
OBSOLETE	5040	1260	105	40	9-	-9
OBSOLETE	4320	1080	90	50	9-	-8
OBSOLETE	4320	1080	90	48	9-	-7
OBSOLETE	4320	1080	90	46	9-	-6
OBSOLETE	4320	1080	90	44	9-	-5
OBSOLETE	5040	1260	105	42	9-	-4
OBSOLETE	5040	1260	105	40	9-	-3
OBSOLETE	5040	1260	105	38	9-	-2
OBSOLETE	5760	1440	120	36	9-	-1
OBSOLETE	5760	1440	120	34	9-	0
OBSOLETE	6480	1620	135	32	8-	-9
OBSOLETE	7200	1800	150	30	8-	-8
OBSOLETE	7200	1800	150	28	8-	-7
OBSOLETE	7920	1980	165	26	8-	-6
OBSOLETE	8640	2160	180	24	8-	-5
OBSOLETE	9360	2340	195	22	8-	-4
OBSOLETE	10080	2520	210	20	8-	-3
OBSOLETE	11520	2880	240	18	8-	-2
OBSOLETE	12960	3240	270	16	8-	-1
OBSOLETE	15120	3780	315	14	8-	0
OBSOLETE	17280	4320	360	12	7-	-9
OBSOLETE	20880	5220	435	10	7-	-8
OBSOLETE	26640	6660	555	8	7-	-7
OBSOLETE	35280	8820	735	6	7-	-6
OBSOLETE	51840	12960	1080	4	7	1470209-5
OBSOLETE	4320	1080	90	50	7-	-4
OBSOLETE	4320	1080	90	48	7-	-3
OBSOLETE	4320	1080	90	46	7-	-2
OBSOLETE	4320	1080	90	44	7-	-1
OBSOLETE	5040	1260	105	42	7-	0
OBSOLETE	5040	1260	105	40	6-	-9
OBSOLETE	5040	1260	105	38	6-	-8
OBSOLETE	5760	1440	120	36	6-	-7
OBSOLETE	5760	1440	120	34	6-	-6
OBSOLETE	6480	1620	135	32	6-	-5
OBSOLETE	7200	1800	150	30	6-	-4
OBSOLETE	7200	1800	150	28	6-	-3
OBSOLETE	7920	1980	165	26	6-	-2
OBSOLETE	8640	2160	180	24	6-	-1
OBSOLETE	9360	2340	195	22	6-	0
OBSOLETE	10080	2520	210	20	5-	-9
OBSOLETE	11520	2880	240	18	5-	-8
OBSOLETE	12960	3240	270	16	5-	-7
OBSOLETE	15120	3780	315	14	5-	-6
OBSOLETE	17280	4320	360	12	5-	-5
OBSOLETE	20880	5220	435	10	5-	-4
OBSOLETE	26640	6660	555	8	5-	-3
OBSOLETE	35280	8820	735	6	5-	-2
OBSOLETE	51840	12960	1080	4	5-	1470209-1

OBSOLETE	"L"	Pcs/Carton	Pcs/Inner Carton	Pcs/BOX	POS.	PART NUMBER
OBSOLETE	5040	1260	105	40	4-	-9
OBSOLETE	4320	1080	90	50	4-	-8
OBSOLETE	4320	1080	90	48	4-	-7
OBSOLETE	4320	1080	90	46	4-	-6
OBSOLETE	4320	1080	90	44	4-	-5
OBSOLETE	5040	1260	105	42	4-	-4
OBSOLETE	5040	1260	105	40	4-	-3
OBSOLETE	5040	1260	105	38	4-	-2
OBSOLETE	5760	1440	120	36	4-	-1
OBSOLETE	5760	1440	120	34	4-	0
OBSOLETE	6480	1620	135	32	3-	-9
OBSOLETE	7200	1800	150	30	3-	-8
OBSOLETE	7200	1800	150	28	3-	-7
OBSOLETE	7920	1980	165	26	3-	-6
OBSOLETE	8640	2160	180	24	3-	-5
OBSOLETE	9360	2340	195	22	3-	-4
OBSOLETE	10080	2520	210	20	3-	-3
OBSOLETE	11520	2880	240	18	3-	-2
OBSOLETE	12960	3240	270	16	3-	-1
OBSOLETE	15120	3780	315	14	3-	0
OBSOLETE	17280	4320	360	12	2-	-9
OBSOLETE	20880	5220	435	10	2-	-8
OBSOLETE	26640	6660	555	8	2-	-7
OBSOLETE	35280	8820	735	6	2-	-6
OBSOLETE	51840	12960	1080	4	2-	1470209-5
OBSOLETE	4320	1080	90	50	2-	-4
OBSOLETE	4320	1080	90	48	2-	-3
OBSOLETE	4320	1080	90	46	2-	-2
OBSOLETE	4320	1080	90	44	2-	-1
OBSOLETE	5040	1260	105	42	2-	0
OBSOLETE	5040	1260	105	40	1-	-9
OBSOLETE	5040	1260	105	38	1-	-8
OBSOLETE	5760	1440	120	36	1-	-7
OBSOLETE	5760	1440	120	34	1-	-6
OBSOLETE	6480	1620	135	32	1-	-5
OBSOLETE	7200	1800	150	30	1-	-4
OBSOLETE	7200	1800	150	28	1-	-3
OBSOLETE	7920	1980	165	26	1-	-2
OBSOLETE	8640	2160	180	24	1-	-1
OBSOLETE	9360	2340	195	22	1-	0
OBSOLETE	10080	2520	210	20		-9
OBSOLETE	11520	2880	240	18		-8
OBSOLETE	12960	3240	270	16		-7
OBSOLETE	15120	3780	315	14		-6
OBSOLETE	17280	4320	360	12		-5
OBSOLETE	20880	5220	435	10		-4
OBSOLETE	26640	6660	555	8		-3
OBSOLETE	35280	8820	735	6		-2
OBSOLETE	51840	12960	1080	4		1470209-1

THIS DRAWING IS A CONTROLLED DOCUMENT.		DWN O.HU 30-NOV-2001	 TE Connectivity AMPMODU 2.0mm PITCH REC CONN,VERTICAL MOUNT TYPE		
DIMENSIONS: mm		CHK J.CHENG 30-NOV-2001			
TOLERANCES UNLESS OTHERWISE SPECIFIED:		APVD J.WU 30-NOV-2001			
0 PLC ± - 1 PLC ± 0.15 2 PLC ± 0.10 3 PLC ± 0.05 4 PLC ± - ANGLES ± 3'		NAME			
MATERIAL SEE SHEET 1		FINISH SEE SHEET 1	PRODUCT SPEC 108-57197	APPLICATION SPEC	RESTRICTED TO
		WEIGHT -	SIZE A3	CAGE CODE -	DRAWING NO C-1470209
CUSTOMER DRAWING			SCALE 1:1	SHEET 2 OF 2	REV E3

Mouser Electronics

Authorized Distributor

Click to View Pricing, Inventory, Delivery & Lifecycle Information:

[TE Connectivity:](#)

[2-1470209-9](#)