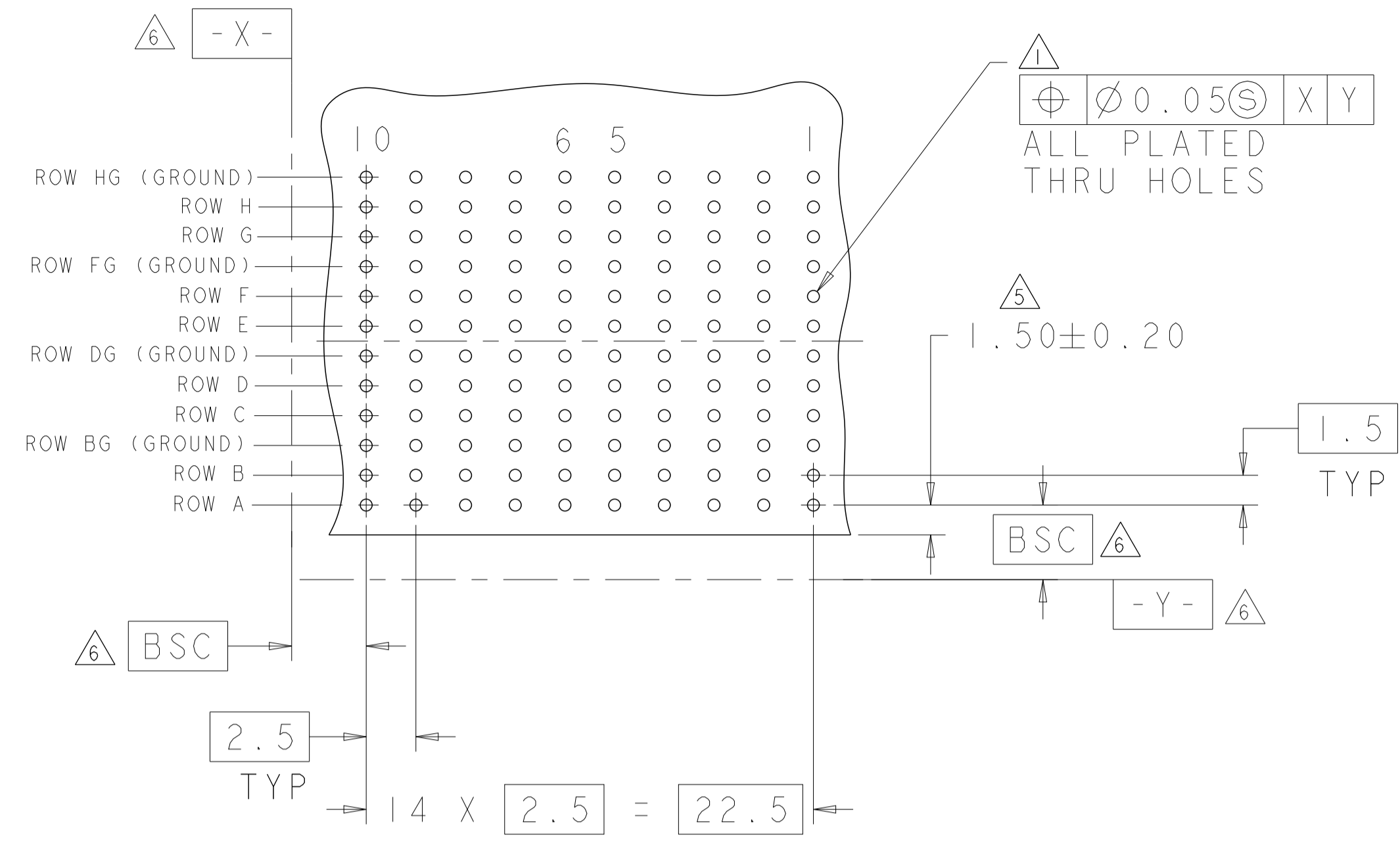
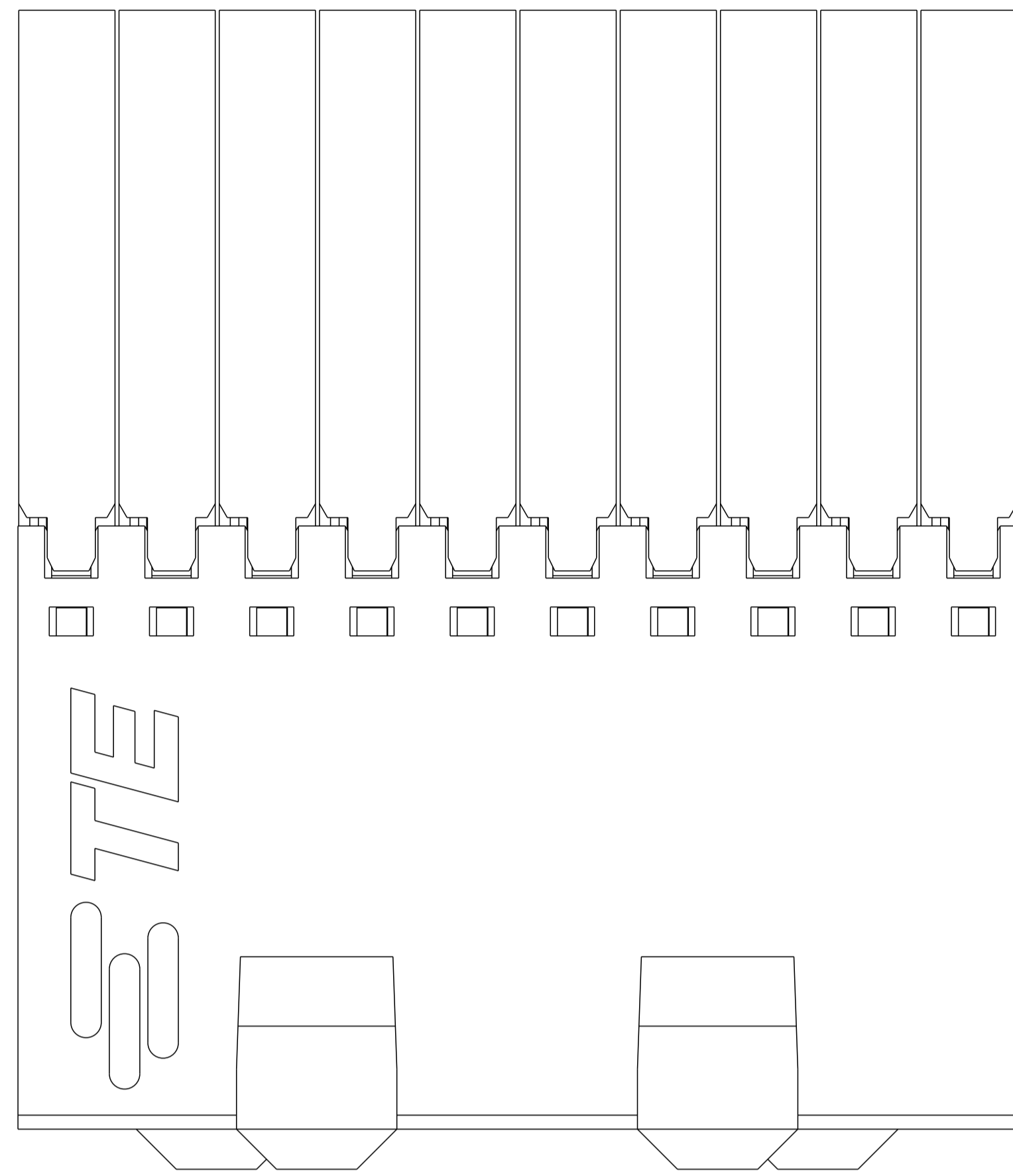
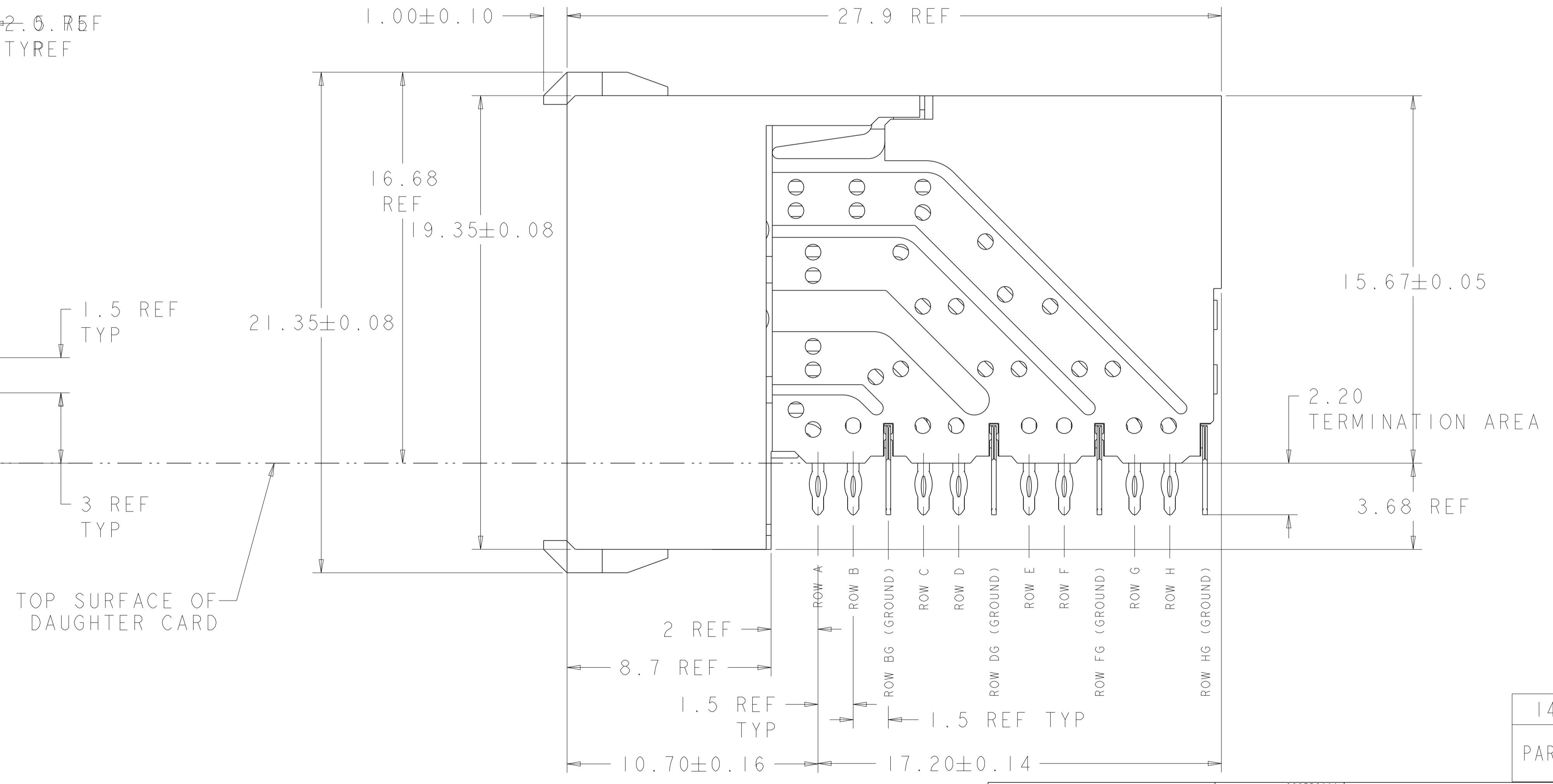
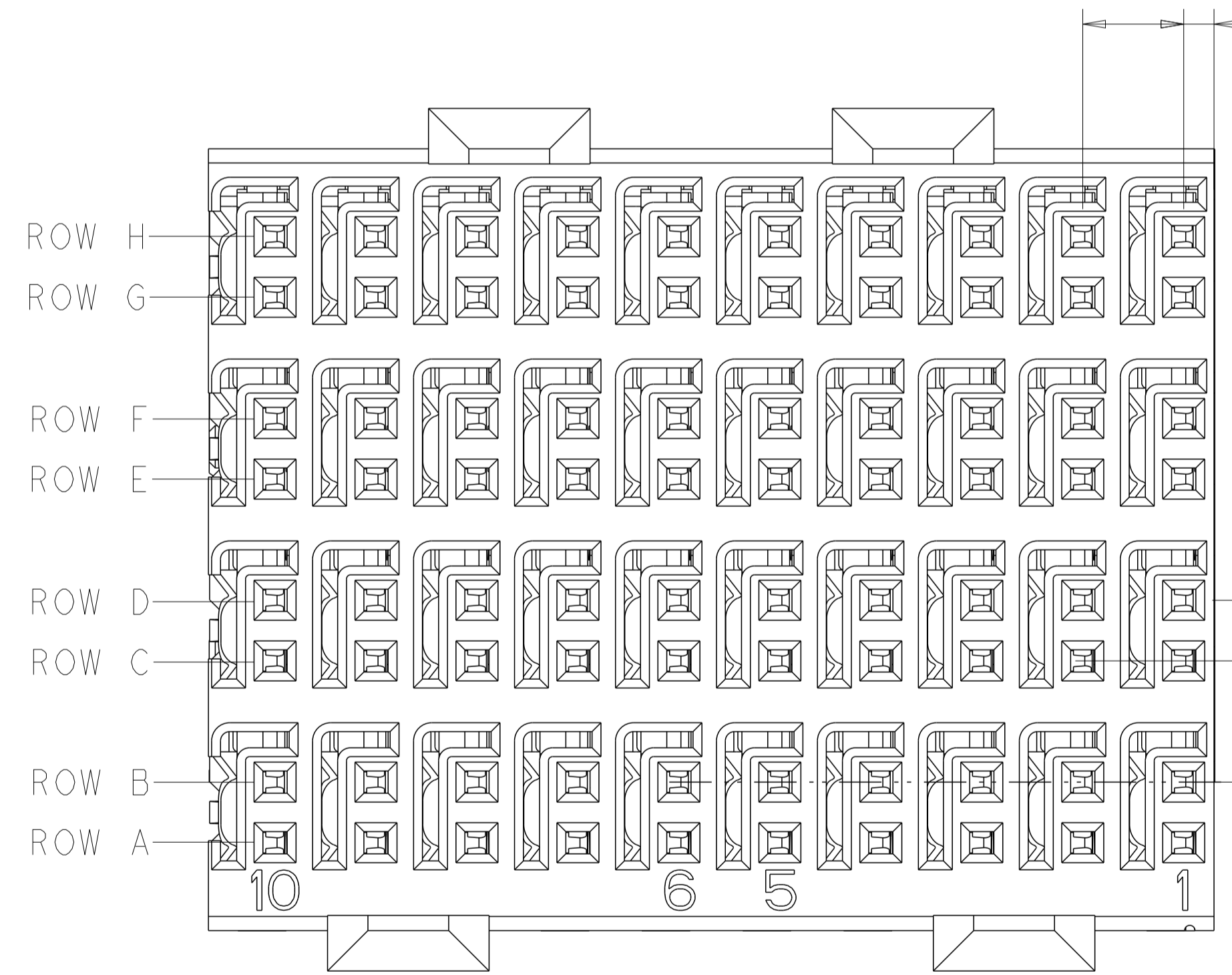


| REVISIONS | | | | |
|-----------|-----|---------------------------|-----------|-------|
| P | LTN | DESCRIPTION | DATE | APVD |
| G | | REVISED PER ECO-14-005095 | 11APR2014 | AP RP |
| H | | REVISED PER ECO-16-008845 | 21SEP2016 | AP RP |
| J | | REVISED PER ECO-17-013036 | 13SEP2017 | AP RP |

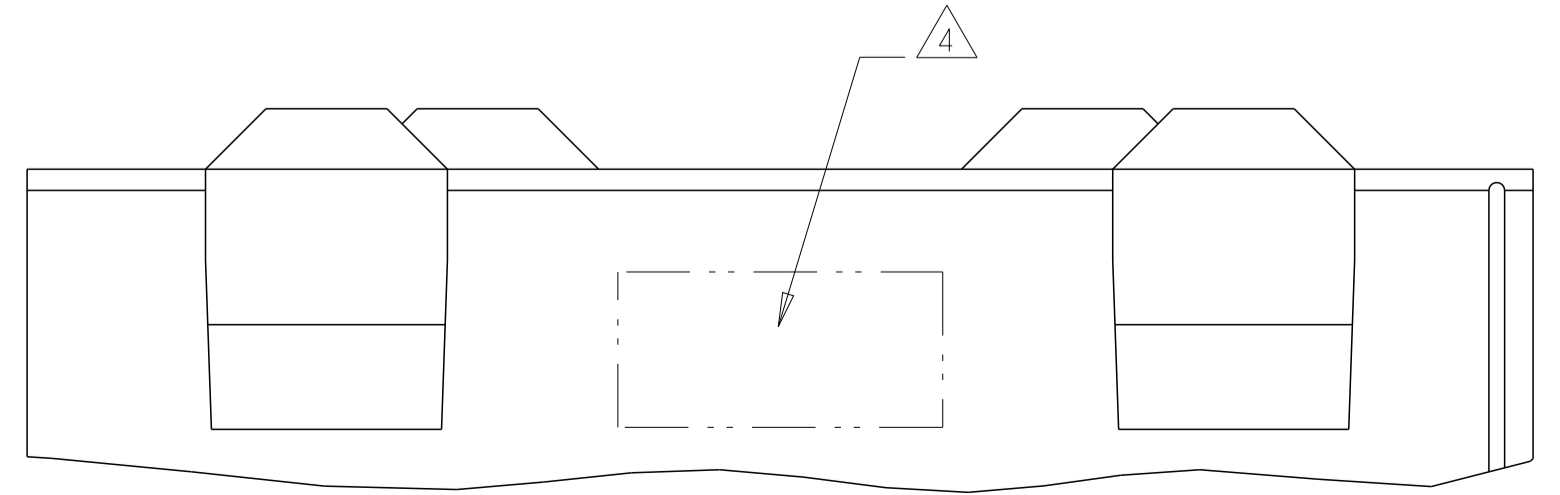


RECOMMENDED PC BOARD LAYOUT,
 DAUGHTER BOARD,
 COMPONENT SIDE SHOWN
 SCALE 4:1

- $\triangle 1$ REFERENCE APPLICATION SPEC 114-13059 FOR RECOMMENDED PLATED THRU HOLE DIAMETER AND PLATING THICKNESSES.
- $\triangle 2$ MATERIAL:
 SHIELD - PHOSPHOR BRONZE
 CONTACT - COPPER-NICKEL-SILICON
 HOUSING, CHICKLET AND CHICKLET COVER - GLASS FILLED POLYESTER, UL 94V-0 RATED.
- $\triangle 3$ FINISH: SIGNAL AND GROUND CONTACTS:
 MATING AREA: MEETS THE PERFORMANCE REQUIREMENTS OF PRODUCT SPECIFICATION 108-2055; BASED ON TELCORDIA GR-1217-CORE, APPLICATIONS IN UNCONTROLLED ENVIRONMENTS
 COMPLIANT PIN AREA: 0.5 μ m MIN BRIGHT TIN-LEAD OVER BASE PLATING
- $\triangle 4$ CONNECTOR MARKED WITH PART NUMBER AND DATE CODE IN APPROXIMATE AREA SHOWN
- $\triangle 5$ DIMENSION APPLIES TO CENTERLINE OF THRU HOLE.
- $\triangle 6$ DATUMS AND BASIC DIMENSIONS ESTABLISHED BY CUSTOMER.
- 7. CONTACT AREA LUBRICATED WITH BELLCORE APPROVED LUBRICANT. TECHNICAL REFERENCE: GR-1217-CORE, ISSUE 1, NOVEMBER 1995.



TOP SURFACE OF DAUGHTER CARD



1469001-1
 PART NUMBER

| | | | | |
|--|--|----------------------------|--|------------------|
| THIS DRAWING IS A CONTROLLED DOCUMENT. | | OWN S. KLINE/LAM 28SEP2000 | TE Connectivity | |
| DIMENSIONS: | | CHK S. KLINE 28SEP2000 | NAME RECEPTACLE ASSEMBLY, 4 PAIR, HMZd | |
| mm | TOLERANCES UNLESS OTHERWISE SPECIFIED: | APVD S. KLINE 28SEP2000 | PRODUCT SPEC | APPLICATION SPEC |
| \varnothing | 0 PLC # | SIZE | SIZE | RESTRICTED TO |
| \varnothing | 1 PLC # | CAGE CODE | CAGE CODE | SCALE |
| \varnothing | 2 PLC # | DRAWING NO | DRAWING NO | SHEET |
| \varnothing | 3 PLC # | A100779 | A100779 | OF |
| \varnothing | 4 PLC # | C=1469001 | C=1469001 | REV |
| \varnothing | ANGLES # | SCALE | SCALE | J |
| \varnothing | FINISH # | 8:1 | 8:1 | |
| MATERIAL | FINISH | CUSTOMER DRAWING | CUSTOMER DRAWING | |

Mouser Electronics

Authorized Distributor

Click to View Pricing, Inventory, Delivery & Lifecycle Information:

[TE Connectivity:](#)

[1469001-1](#)