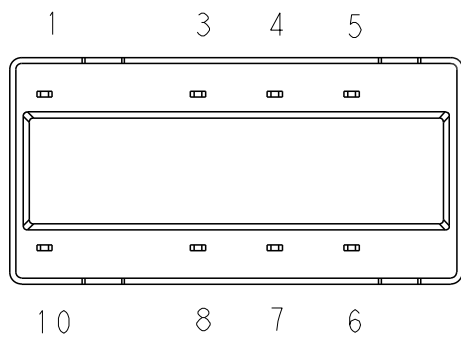
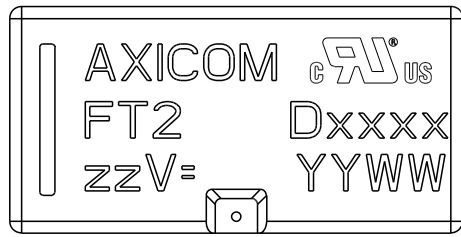
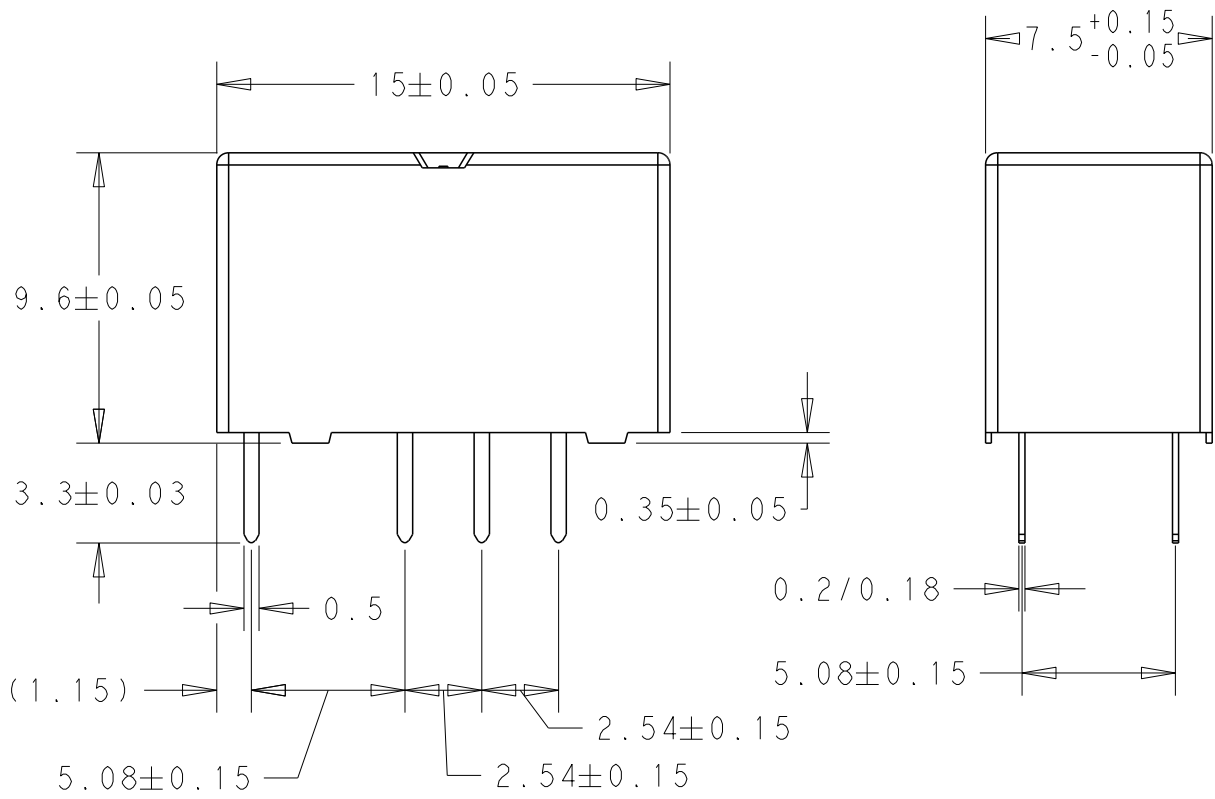


USED ON FT2 relay THT


DWG NO  
1462035-1



Relay - bottom view



xxxx = Relay Type  
zz = Nominal Voltage  
YYWW = Date Code

A6	ECR-15-000926	20.1.15	VG	PH	DWN CW 9196	26-Mar-98	CHK EG 9192	26-Mar-98	APVD HD 9121	26-Mar-98					
A5	ECO-11-005150	21.3.11	RK	HMR	DIMENSIONS: mm			MATERIAL	-	HT TR	-				
					TOLERANCES UNLESS OTHERWISE SPECIFIED:			 TE Connectivity							
					0 PLC ±- 1 PLC ±0.1 2 PLC ±0.01 3 PLC ±0.005 4 PLC ±0.0001 ANGLES ±-										
LTR	REVISION RECORD	DATE	DWN	APVD	SURFACE TEXTURE			NAME FT Relay Dimensional Drawing							
THIS DRAWING IS A CONTROLLED DOCUMENT.					SCALE	4:1	SIZE/FMT	A4	DRAWING NO	C - 1462035-1		SHEET	1 OF 1	REV	A6

# Mouser Electronics

Authorized Distributor

Click to View Pricing, Inventory, Delivery & Lifecycle Information:

[TE Connectivity:](#)

[D3496](#)