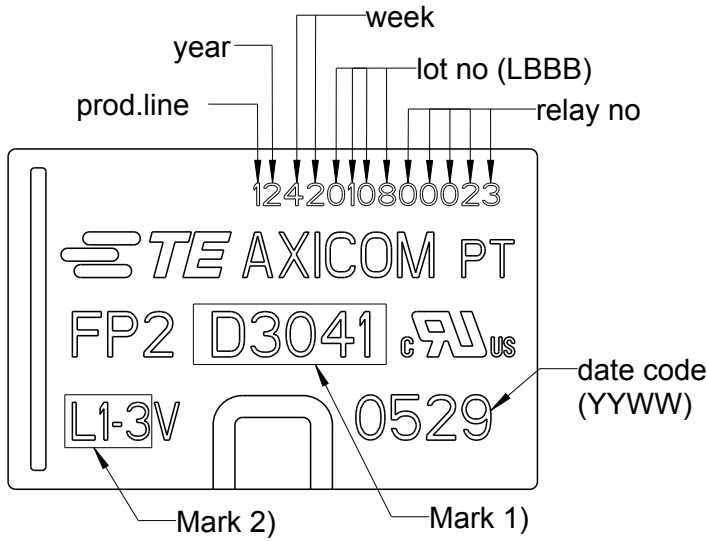


|     |      |           |     |                                       |           |     |      |
|-----|------|-----------|-----|---------------------------------------|-----------|-----|------|
| LOC | DIST | REVISIONS |     |                                       |           |     |      |
| HJ  | -    | P         | LTR | DESCRIPTION                           | DATE      | DWN | APVD |
|     |      | A1        |     | New Position 16                       | 18Oct2006 | UKo | HD   |
|     |      | A2        |     | New Position 12                       | 02Jun2008 | UKo | HD   |
|     |      | B         |     | REVISED PER ECO-13-009556             | 14JUN2013 | UKo | AK   |
|     |      | C         |     | ECR-14-007162 (Packaging information) | 13OCT2015 | AP  | AK   |



Packaging data code (Box, bag, reels):  
P(YWWDSL)000  
Shipping data code:  
YYWW

P - Product code (E to FP relay)  
Y(Y) - Year (last digit for packaging)  
WW - calendar week (from date code)  
D - Day of the week (1=Sat,.....and 7=Fri)  
S - Shift (1=day shift, 2 night shift)  
L - Production Line (line A, B, C)  
B - Weekly sequential number  
000 - For internal use

| Pos. | Relay-Typ | Mark 1) | Mark 2) | PN          |
|------|-----------|---------|---------|-------------|
| 1    | D3001     | D3001   | 5       | 1462033-1   |
| 2    | D3001T    | D3001   | 5       | 1462033-4   |
| 3    | D3002     | D3002   | 12      | 1462033-5   |
| 4    | D3004     | D3004   | 4.5     | 1462033-9   |
| 5    | D3005     | D3005   | 6       | 1-1462033-1 |
| 6    | D3005G    | D3005   | 6       | 1-1462033-2 |
| 7    | D3006     | D3006   | 3       | 1-1462033-3 |
| 8    | D3009     | D3009   | 5       | 1-1462033-4 |
| 9    | D3009G    | D3009   | 5       | 1-1462033-8 |
| 10   | D3009H    | D3009   | 5       | 1-1462033-9 |
| 11   | D3010     | D3010   | 9       | 2-1462033-1 |
| 12   | D3010G    | D3010   | 9       | 7-1462033-9 |
| 13   | D3011     | D3011   | 18      | 7-1462033-6 |
| 14   | D3012     | D3012   | 24      | 2-1462033-2 |
| 15   | D3013     | D3013   | 48      | 2-1462033-6 |
| 16   | D3016     | D3016   | 24      | 2-1462033-7 |


2006

RELEASED FOR PUBLICATION

ALL RIGHTS RESERVED.

THIS DRAWING IS UNPUBLISHED.

© COPYRIGHT 2006

|  |                  |           |  |           |              |                   |
|--|------------------|-----------|--|-----------|--------------|-------------------|
| DIMENSIONS:<br>mm                                    | DWN UKo 9193     | 30JAN2006 | MATERIAL   | -         | FINISH       | -                 |
|  | CHK HD 9121      | 30JAN2006 |  TE Connectivity |           |              |                   |
| TOLERANCES UNLESS OTHERWISE SPECIFIED:<br>DIN 7168-m | APVD HD 9121     | 30JAN2006 |  |           |              |                   |
| 0 PLC ±-   | PRODUCT SPEC     | -         | NAME   |           |              | FP2-Relay Marking |
| 1 PLC ±-   | APPLICATION SPEC | -         | SIZE   | CAGE CODE | DRAWING NO   | RESTRICTED TO     |
| 2 PLC ±-   | WEIGHT           | -         | A4   | 00779     | C- 1462033-1 | -                 |
| 3 PLC ±-   | CUSTOMER DRAWING |           |  | SCALE     | 5:1          | SHEET 1 OF 2      |
| 4 PLC ±-   |                  |           |  | REV       | C            |                   |
| ANGLES ±-  |                  |           |  |           |              |                   |

|     |      |           |     |             |      |     |      |
|-----|------|-----------|-----|-------------|------|-----|------|
| LOC | DIST | REVISIONS |     |             |      |     |      |
| HJ  | -    | P         | LTR | DESCRIPTION | DATE | DWN | APVD |
|     |      |           |     | see sheet 1 |      |     |      |
|     |      |           |     |             |      |     |      |
|     |      |           |     |             |      |     |      |

| Pos. | Relay-Typ | Mark 1) | Mark 2) | PN          |
|------|-----------|---------|---------|-------------|
| 17   | D3014     | D3014   | 4.5     | 7-1462033-8 |
| 18   | D3021     | D3021   | 3       | 3-1462033-2 |
| 19   | D3022     | D3022   | 4.5     | 3-1462033-3 |
| 20   | D3023     | D3023   | 5       | 3-1462033-4 |
| 21   | D3024     | D3024   | 6       | 3-1462033-5 |
| 22   | D3025     | D3025   | 9       | 3-1462033-6 |
| 23   | D3026     | D3026   | 12      | 3-1462033-7 |
| 24   | D3027     | D3027   | 24      | 3-1462033-8 |
| 25   | D3028     | D3028   | 48      | 3-1462033-9 |
| 26   | D3041     | D3041   | L1-3    | 4-1462033-0 |
| 27   | D3042     | D3042   | L1-4.5  | 4-1462033-1 |
| 28   | D3043     | D3043   | L1-5    | 4-1462033-2 |
| 29   | D3044     | D3044   | L1-6    | 4-1462033-3 |
| 30   | D3045     | D3045   | L1-9    | 4-1462033-4 |
| 31   | D3046     | D3046   | L1-12   | 4-1462033-5 |
| 32   | D3047     | D3047   | L1-24   | 4-1462033-6 |
| 33   | D3061     | D3061   | L2-3    | 4-1462033-7 |
| 34   | D3062     | D3062   | L2-4.5  | 4-1462033-8 |
| 35   | D3063     | D3063   | L2-5    | 4-1462033-9 |
| 36   | D3064     | D3064   | L2-6    | 5-1462033-0 |
| 37   | D3065     | D3065   | L2-9    | 5-1462033-1 |
| 38   | D3065F    | D3065   | L2-9    | 5-1462033-2 |
| 39   | D3066     | D3066   | L2-12   | 5-1462033-4 |
| 40   | D3066F    | D3066   | L2-12   | 5-1462033-5 |
| 41   | D3067     | D3067   | L2-24   | 5-1462033-6 |


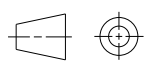
2006

RELEASED FOR PUBLICATION

ALL RIGHTS RESERVED.

© COPYRIGHT 2006

THIS DRAWING IS UNPUBLISHED.

|  |                  |                                  |   |                      |               |   |
|--|------------------|----------------------------------|---|----------------------|---------------|---|
| DIMENSIONS:<br><b>mm</b>   | DWN UKo 9193     | 30JAN2006                        | MATERIAL  | -                    | FINISH        | - |
|  | CHK HD 9121      | 30JAN2006                        |  <b>TE Connectivity</b> |                      |               |   |
| TOLERANCES UNLESS OTHERWISE SPECIFIED:<br>DIN 7168-m                               | APVD HD 9121     | 30JAN2006                        |   |                      |               |   |
| 0 PLC ±-   | PRODUCT SPEC     | NAME<br><b>FP2-Relay Marking</b> |   |                      |               |   |
| 1 PLC ±-   | -                |                                  |   |                      |               |   |
| 2 PLC ±-   | APPLICATION SPEC | SIZE                             | CAGE CODE   | DRAWING NO           | RESTRICTED TO |   |
| 3 PLC ±-   | -                | <b>A4</b>                        | 00779   | <b>C</b> - 1462033-1 | -             |   |
| 4 PLC ±-   | WEIGHT           | CUSTOMER DRAWING                 |   |                      |               |   |
| ANGLES ±-  | -                | SCALE                            | SHEET   | OF                   | REV           |   |
|  | -                | <b>5:1</b>                       | <b>2</b>  | <b>2</b>             | <b>C</b>      |   |

# Mouser Electronics

Authorized Distributor

Click to View Pricing, Inventory, Delivery & Lifecycle Information:

[TE Connectivity:](#)

[D3043](#)