

THIS DRAWING IS UNPUBLISHED. RELEASED FOR PUBLICATION
 © COPYRIGHT BY TYCO ELECTRONICS CORPORATION. ALL RIGHTS RESERVED.

LOC
HB

DIST

REVISIONS

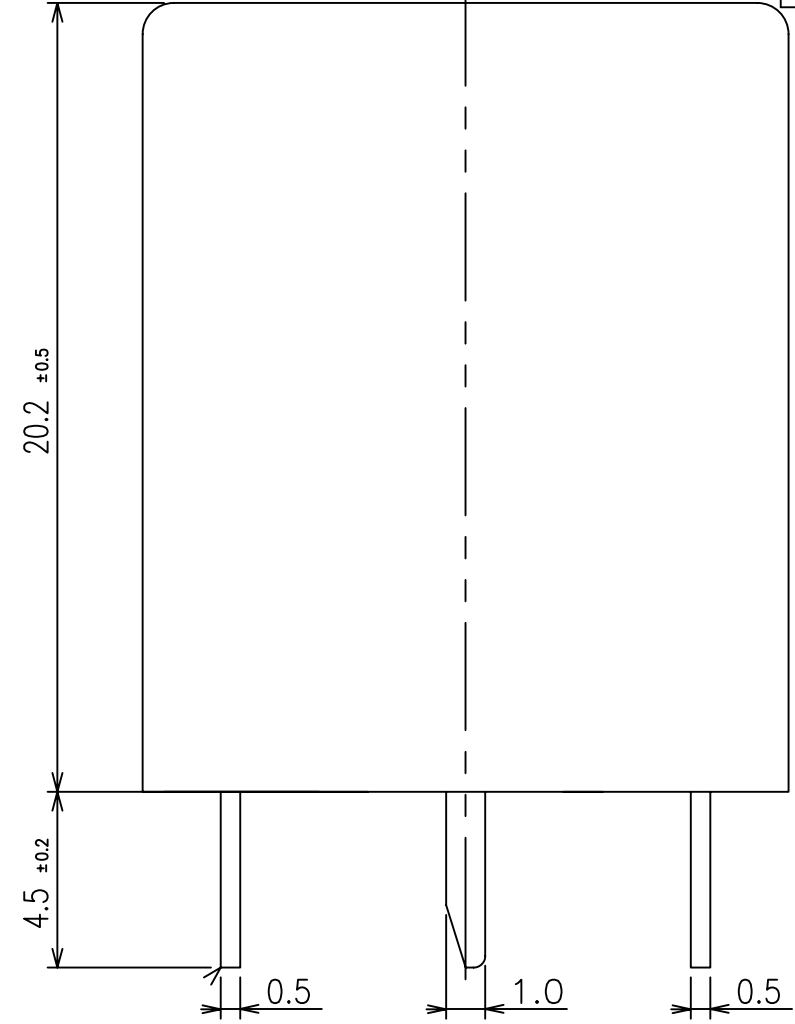
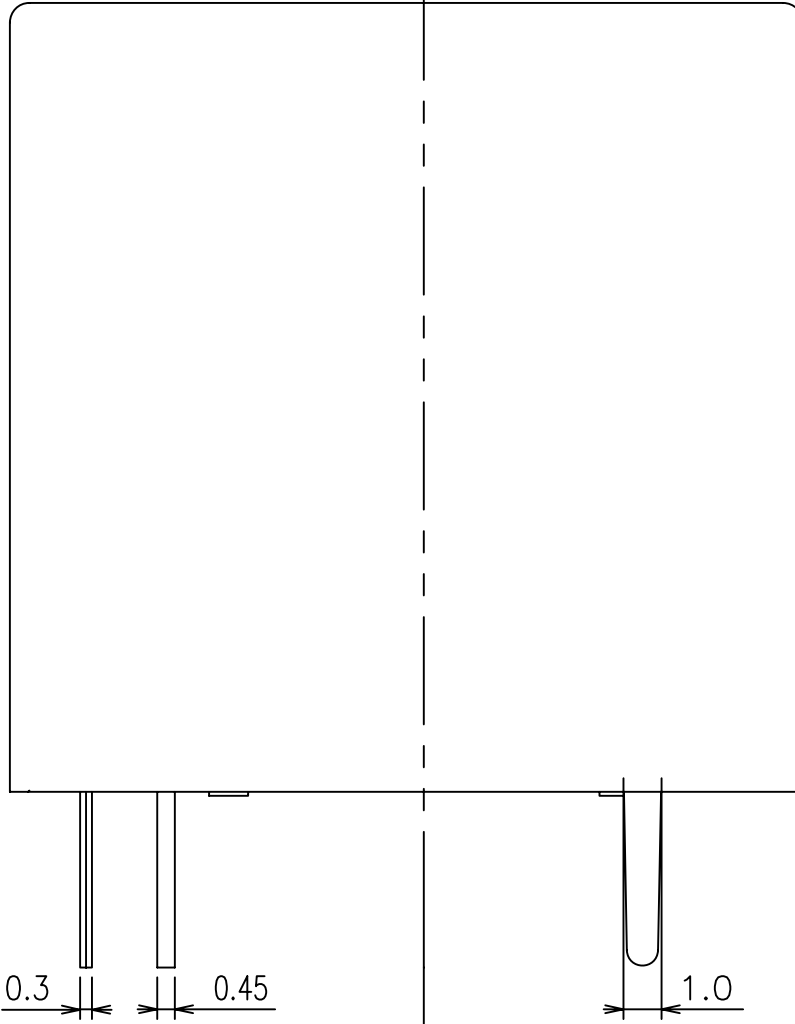
P	LTR	DESCRIPTION	ECN	DATE	DWN	APVD
A		REMOVE CONTACT FIGURE	ECO-07-014825	22-JUN-07	Y.ZX	Y.BH
B		CHANGE TE LOGO	ECO-08-020474	12-SEP-08	Z,Z	BH,Y

D

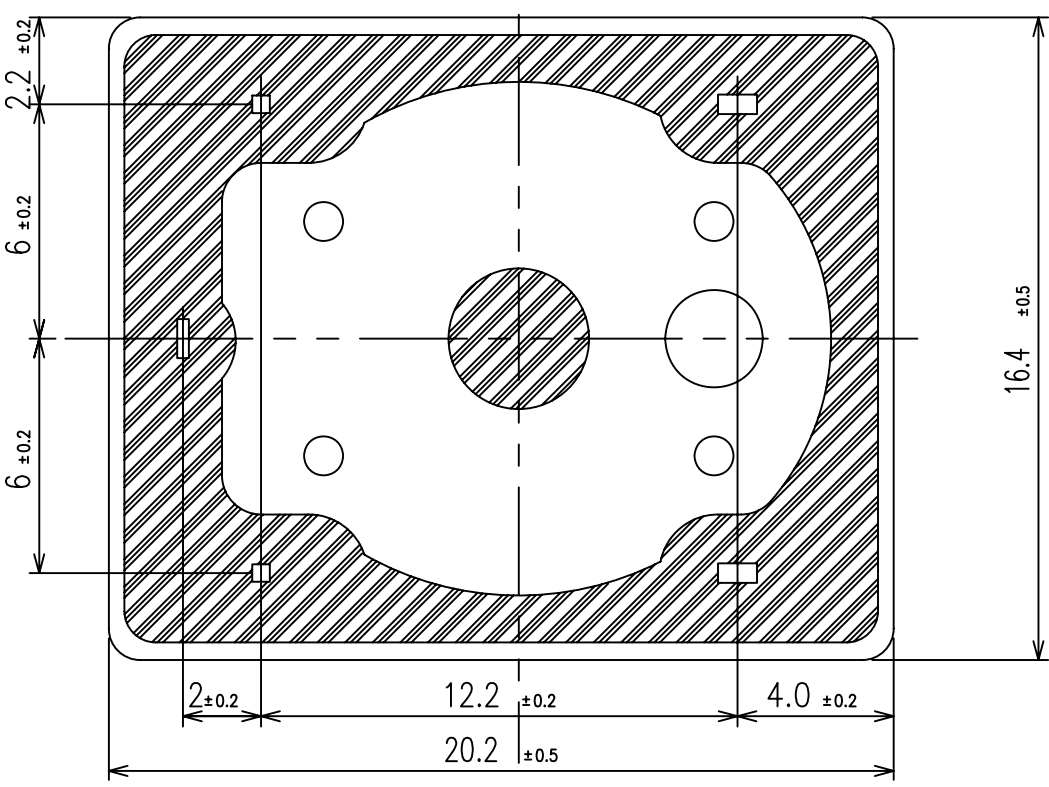
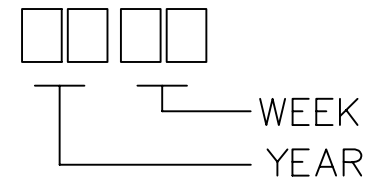
C

B

A



LOT NO. SYSTEM AS FOLLOWING:



THIS DRAWING IS A CONTROLLED DOCUMENT FOR TYCO ELECTRONICS CORPORATION
 IT IS SUBJECT TO CHANGE AND THE CONTROLLING ENGINEERING ORGANIZATION
 SHOULD BE CONTACTED FOR THE LATEST REVISION.

DIMENSIONS: mm	TOLERANCES UNLESS OTHERWISE SPECIFIED:
	0 PLC ±
	1 PLC ±
	2 PLC ±
	3 PLC ±
	4 PLC ±
	ANGLES ±
MATERIAL	FINISH
-	-

DWN	H.SASAKI		Tyco Electronics Corporation ShenZhen, China	
CHK	N.FUNAYAMA			
APVD	A.NAGAI	NAME	SRUUH-D1 CUSTOMER DRAWING	
PRODUCT SPEC	SEE PRODUCT SPEC	SIZE	CAGE CODE	DRAWING NO
APPLICATION SPEC	-	A3	00779	©= 1461759
WEIGHT	-	RESTRICTED TO		-
CUSTOMER DRAWING		SCALE	5:1	SHEET 1 OF 2
				REV B

D

C

B

A

THIS DRAWING IS UNPUBLISHED.

RELEASED FOR PUBLICATION

© COPYRIGHT

BY TYCO ELECTRONICS CORPORATION. ALL RIGHTS RESERVED.

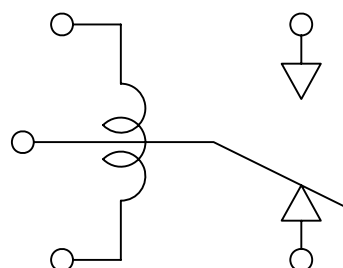
LOC
HB

DIST

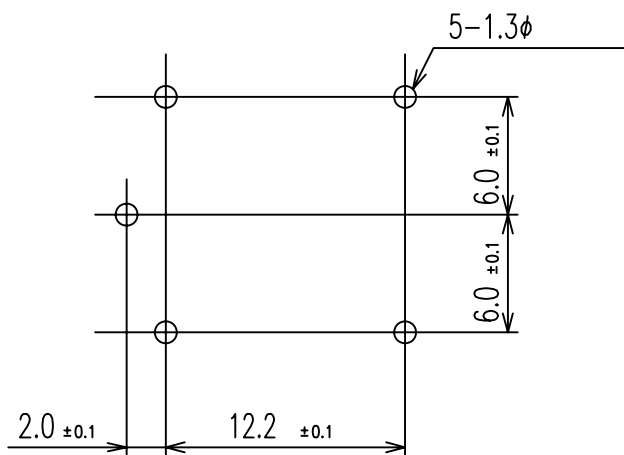
REVISIONS

P	LTR	DESCRIPTION	ECN	DATE	DWN	APVD

3. CONNECTION DIAGRAM(BOTTOM VIEW)



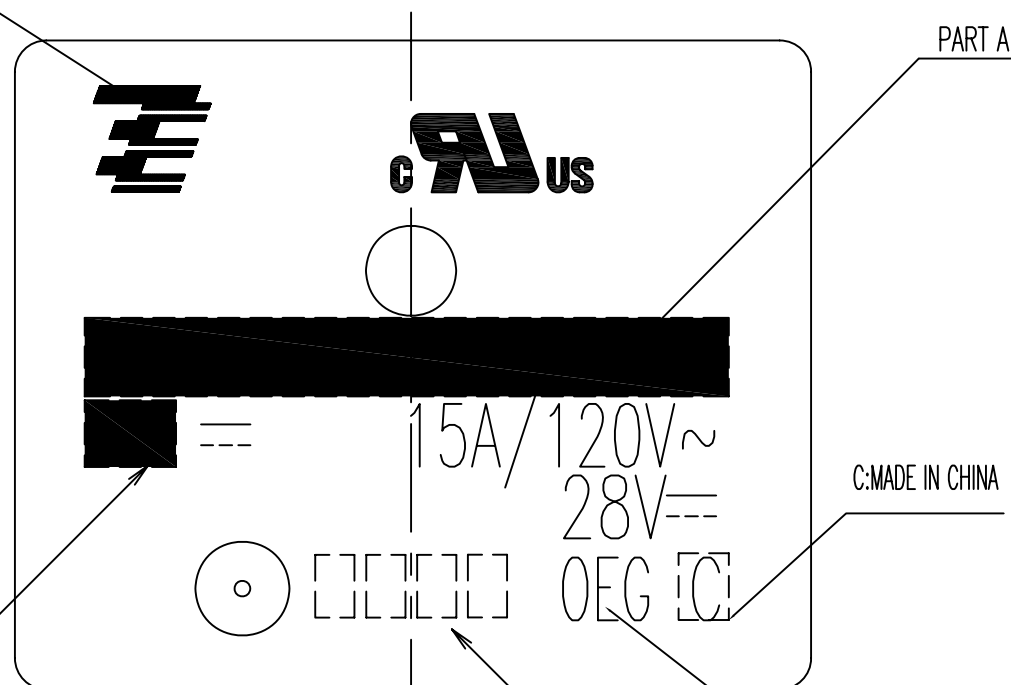
4. DRILLING DIAGRAM



1-1461759-2	SRUOH-SH-148D1	48V	SRUOH-SH-148D1	l
1-1461759-1	SRUOH-SH-124D1	24V	SRUOH-SH-124D1	k
1-1461759-0	SRUOH-SH-112D1	12V	SRUOH-SH-112D1	j
1461759-9	SRUOH-SH-109D1	9V	SRUOH-SH-109D1	i
1461759-8	SRUOH-SH-106D1	6V	SRUOH-SH-106D1	h
1461759-7	SRUOH-SH-105D1	5V	SRUOH-SH-105D1	g
1461759-6	SRUOH-SS-148D1	48V	SRUOH-SS-148D1	f
1461759-5	SRUOH-SS-124D1	24V	SRUOH-SS-124D1	e
1461759-4	SRUOH-SS-112D1	12V	SRUOH-SS-112D1	d
1461759-3	SRUOH-SS-109D1	9V	SRUOH-SS-109D1	c
1461759-2	SRUOH-SS-106D1	6V	SRUOH-SS-106D1	b
1461759-1	SRUOH-SS-105D1	5V	SRUOH-SS-105D1	a
TE PART NO	DESCRIPTION	PART B	PART A	TYPE

RELAY TYPE

		UV RESIN	UV SEAL(FOR SH TYPE)	14
		EPOXY RESIN	SEAL	13
		UEW	MAGNETIC WIRE	12
UL 94V-0		PBT	CASE	11
UL 94V-0		PBT	BOBBIN	10
		CP WIRE	COIL TERMINAL	9
		Ag ALLOY	STATIONARY CONTACT	8
		Ag ALLOY	MOVABLE CONTACT	7
		Cu	B-TERMINAL	6
		Cu	M-TERMINAL	5
		Cu ALLOY	MOVABLE SPRING	4
	Ni PLATING	STEEL	CORE	3
	Ni PLATING	STEEL	ARMATURE	2
	Ni PLATING	STEEL	YOKE	1
INCOMBUSTIBILITY	TREATMENT	MATERIAL	DESCRIPTION	ITEM



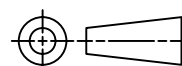
VIEW C

LOT NO.

THIS DRAWING IS A CONTROLLED DOCUMENT FOR TYCO ELECTRONICS CORPORATION
IT IS SUBJECT TO CHANGE AND THE CONTROLLING ENGINEERING ORGANIZATION
SHOULD BE CONTACTED FOR THE LATEST REVISION.

DIMENSIONS:

mm



TOLERANCES UNLESS OTHERWISE SPECIFIED:

0 PLC	±
1 PLC	±
2 PLC	±
3 PLC	±
4 PLC	±
ANGLES	±

MATERIAL

FINISH

DWN

CHK

APVD

PRODUCT SPEC

APPLICATION SPEC

WEIGHT

CUSTOMER DRAWING

Tyco Electronics

Tyco Electronics Corporation
ShenZhen, China

NAME

SRUOH-D1 CUSTOMER DRAWING

SIZE

CAGE CODE

DRAWING NO

RESTRICTED TO

A3

00779

C- 1461759

-

SCALE 5:1

SHEET 2 OF 2

REV B

Mouser Electronics

Authorized Distributor

Click to View Pricing, Inventory, Delivery & Lifecycle Information:

[TE Connectivity:](#)

[1-1461759-0](#)