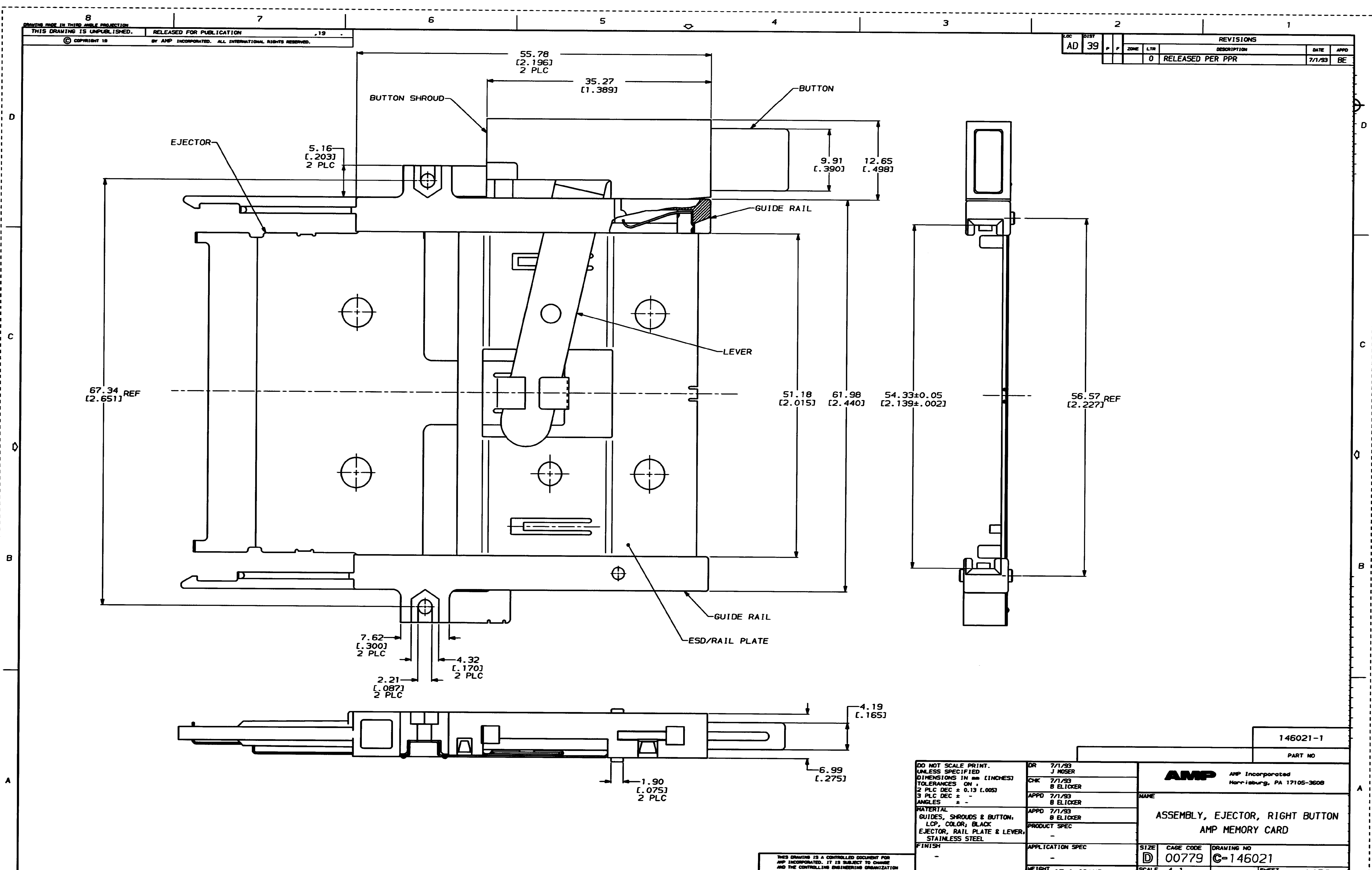


LOC		DIST		ZONE		LTR		REVISIONS		DATE	APPD
AD	39							0	RELEASED PER PPR	7/1/93	BE



THIS DRAWING IS A CONTROLLED DOCUMENT FOR AMP INCORPORATED. IT IS SUBJECT TO CHANGE AND THE CONTROLLING ENGINEERING ORGANIZATION SHOULD BE CONTACTED FOR THE LATEST REVISION.

DO NOT SCALE PRINT. UNLESS SPECIFIED DIMENSIONS IN INCHES TOLERANCES ON:
 2 PLC DEC ± 0.13 (.005)
 3 PLC DEC ± -
 ANGLES ± -
 MATERIAL GUIDES, SHROUDS & BUTTON, LCP, COLOR, BLACK; EJECTOR, RAIL PLATE & LEVER, STAINLESS STEEL
 FINISH -

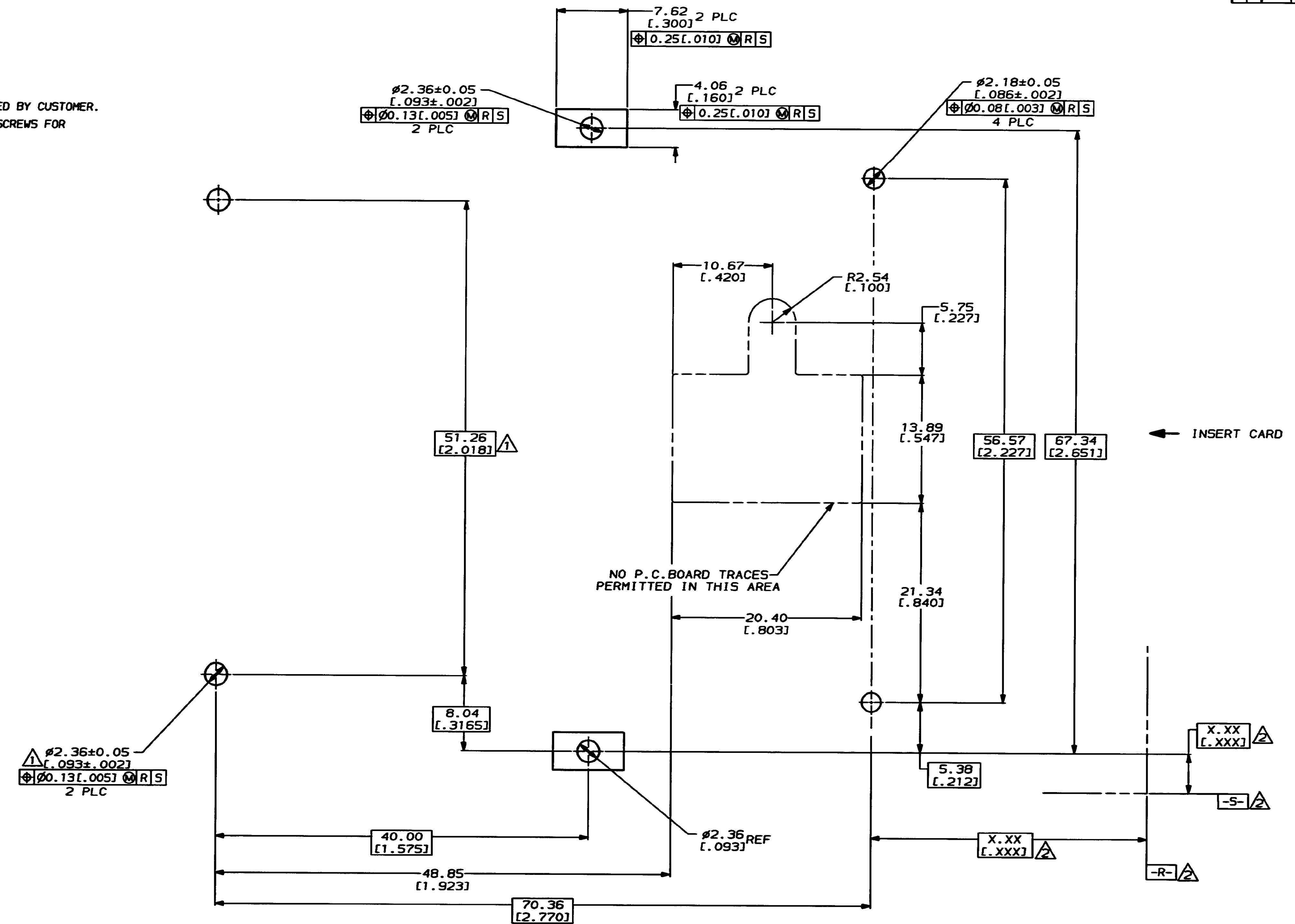
DR	7/1/93	J MOSER
CHK	7/1/93	B ELICKER
APPD	7/1/93	B ELICKER
APPD	7/1/93	B ELICKER
PRODUCT SPEC	-	
APPLICATION SPEC	-	
WEIGHT	17.1 GRAMS	

AMP Incorporated Harrisburg, PA 17105-3608		
NAME ASSEMBLY, EJECTOR, RIGHT BUTTON AMP MEMORY CARD		
SIZE D	CAGE CODE 00779	DRAWING NO C-146021
SCALE 4:1	SHEET 1 OF 2	

146021-1
 PART NO

LOG		DIST		REV		REVISIONS		DATE	APPD
AD	39	P	F	ZONE	LTR	DESCRIPTION			
				0		SEE SHEET ONE			

▲ HEADER MOUNTING HOLE LOCATIONS
 ▲ DATUMS & BASIC DIMENSIONS ESTABLISHED BY CUSTOMER.
 3. ASSEMBLY REQUIRES USE OF 2-SIZE 2M SCREWS FOR FASTENING TO PRINTED CIRCUIT BOARD.



RECOMMENDED BOARD LAYOUT

DO NOT SCALE PRINT.
 UNLESS SPECIFIED
 DIMENSIONS IN mm (INCHES)
 TOLERANCES ON:
 2 PLC DEC ± 0.13 (.005)
 3 PLC DEC ± -
 ANGLES ± -
 MATERIAL -
 FINISH -
 WEIGHT -

DR	7/1/93	J WISER
CHK	7/1/93	B ELICKER
APPD	7/1/93	B ELICKER
APPD	7/1/93	B ELICKER
PRODUCT SPEC		
APPLICATION SPEC		
WEIGHT		

PART NO		AMP Incorporated Harrisburg, PA 17105-3608	
NAME ASSEMBLY, EJECTOR, RIGHT BUTTON, AMP MEMORY CARD			
SIZE	CAGE CODE	DRAWING NO	
D	00779	C-146021	
SCALE	4:1	SHEET	20F2

THIS DRAWING IS A CONTROLLED DOCUMENT FOR AMP INCORPORATED. IT IS SUBJECT TO CHANGE AND THE CONTROLLING ENGINEERING ORGANIZATION SHOULD BE CONTACTED FOR THE LATEST REVISION.

Mouser Electronics

Authorized Distributor

Click to View Pricing, Inventory, Delivery & Lifecycle Information:

[TE Connectivity:](#)

[146021-1](#)