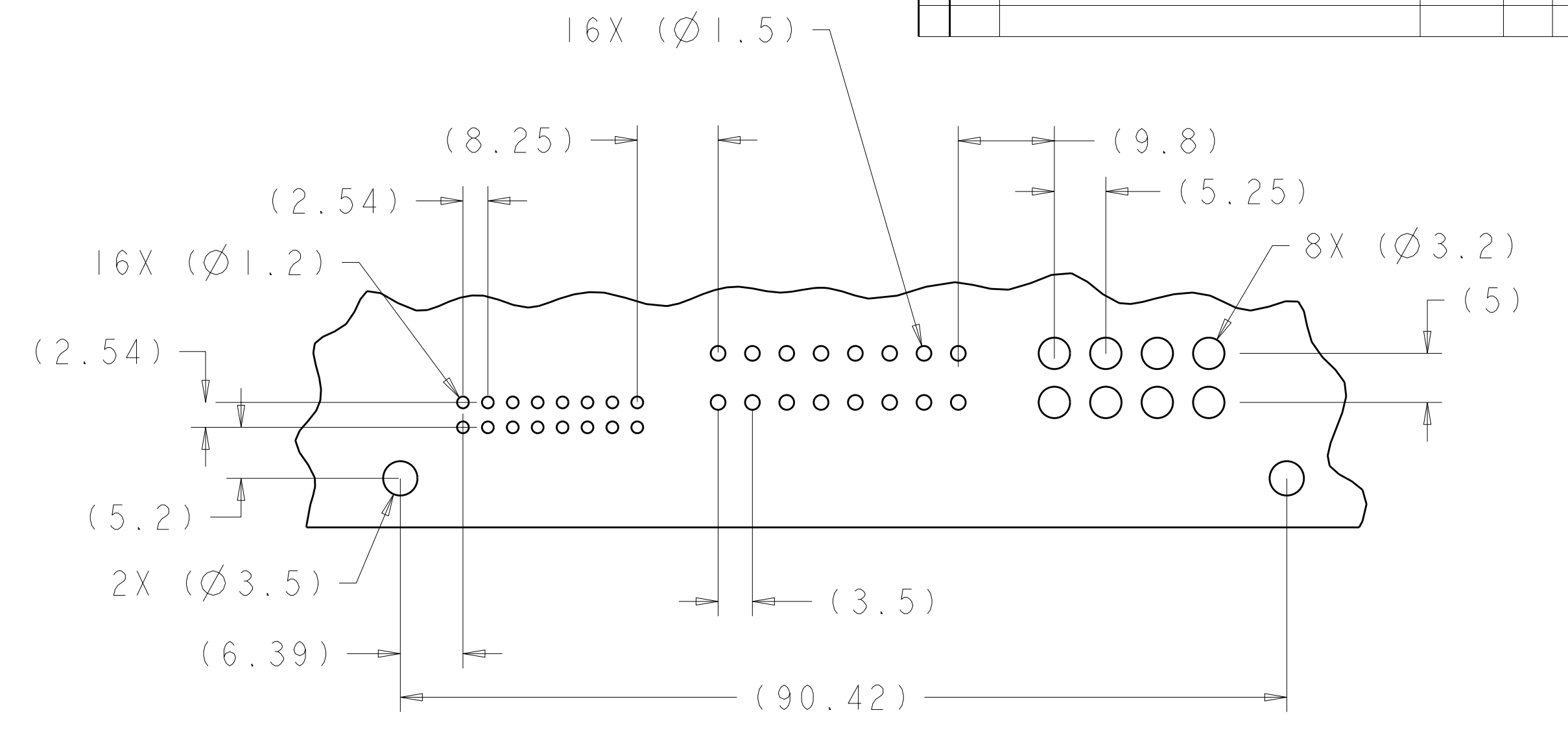
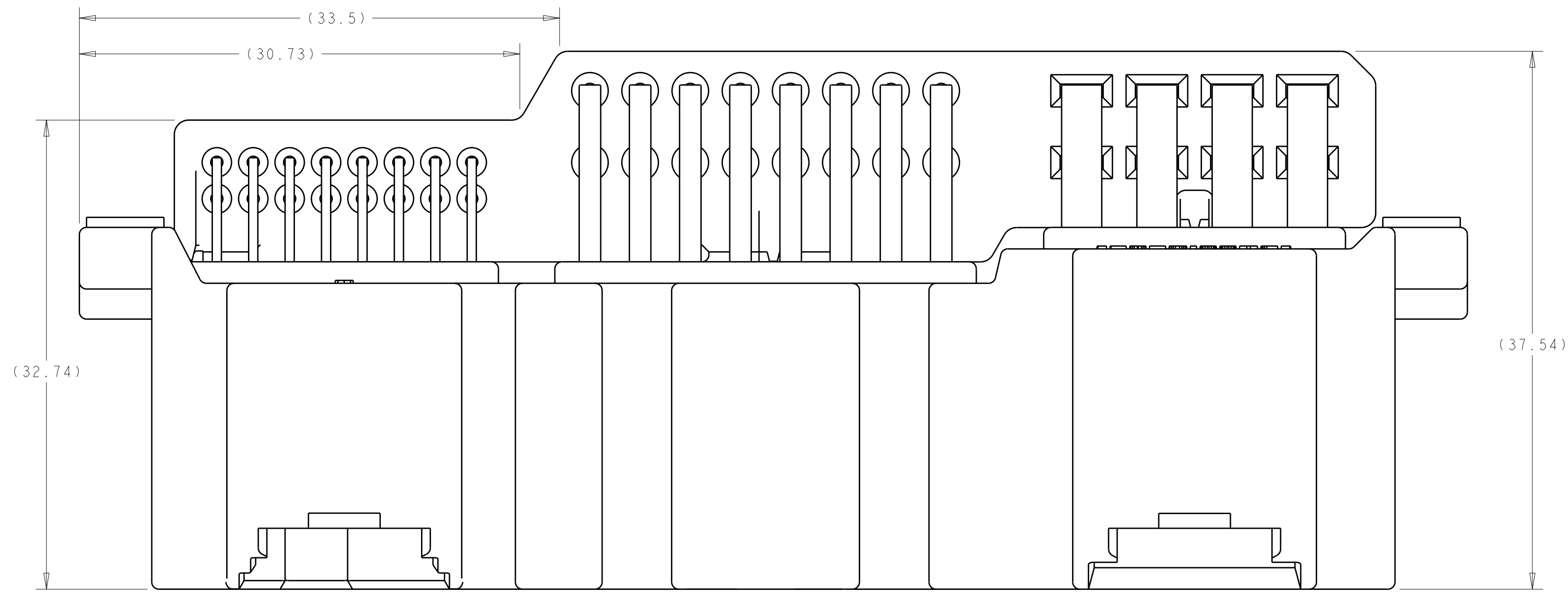
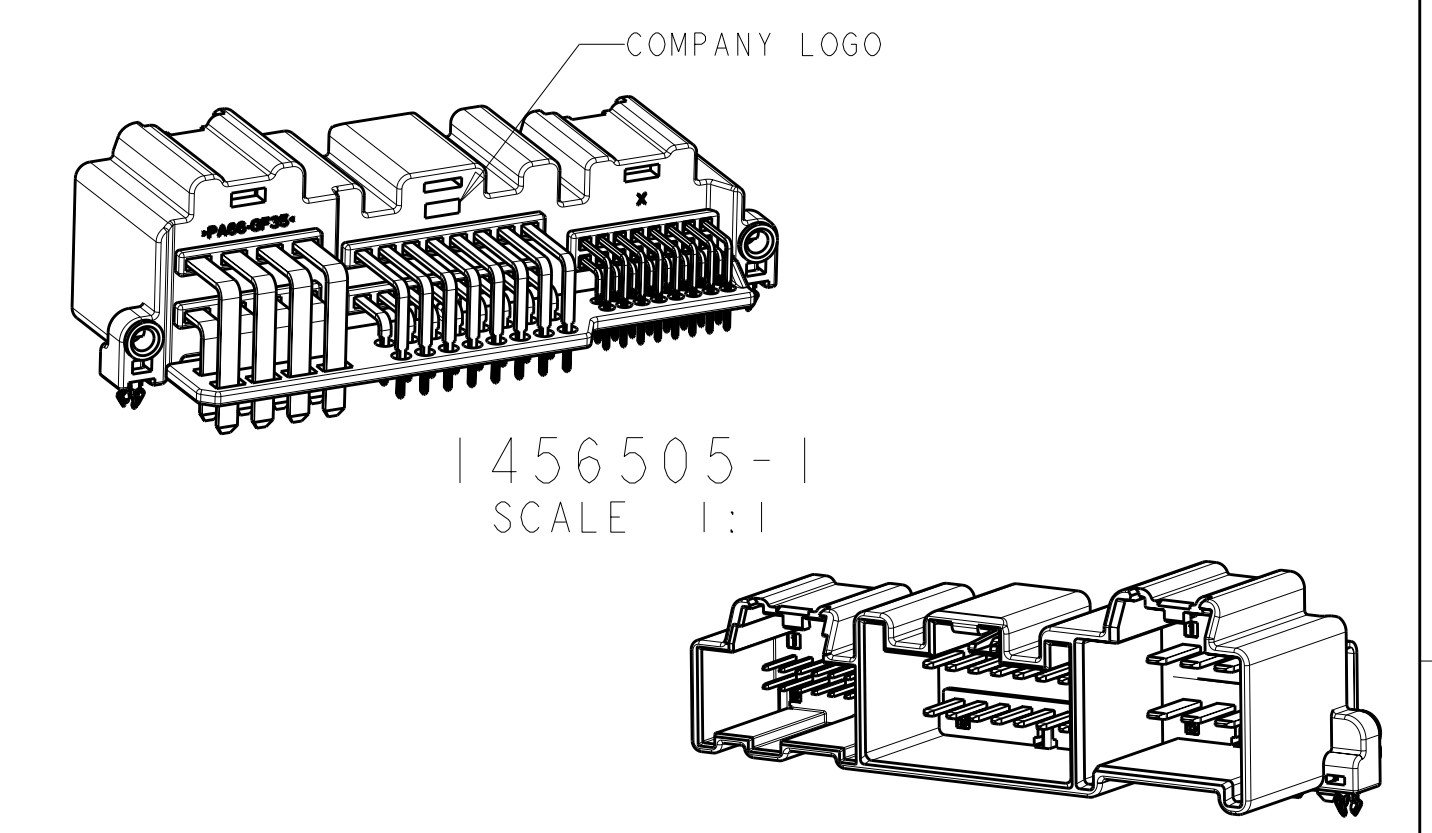
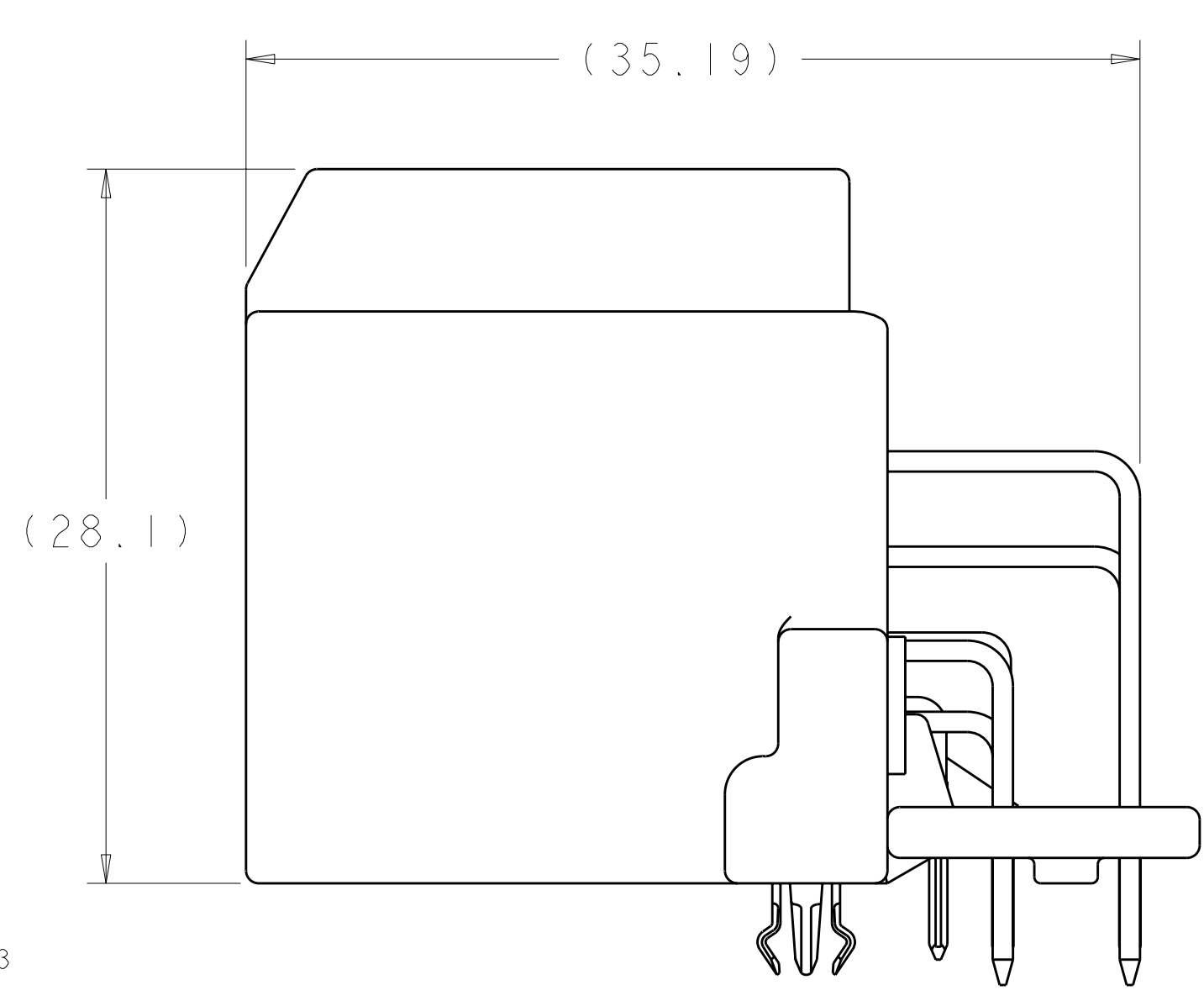
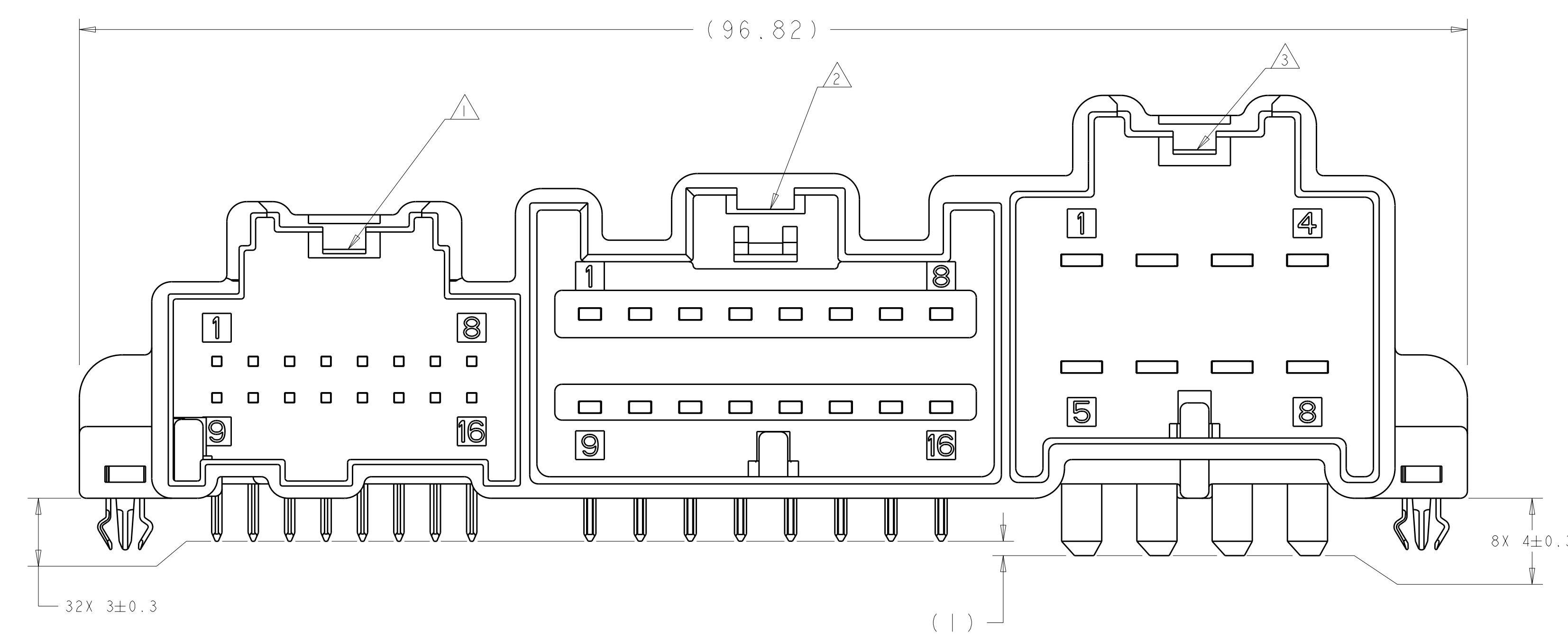


LOC	DIST	REV	DATE	BY	APPD
FX	00	A4	23OCT2007	DLD	MHB
		A5	17JUN2010	VSS	MB

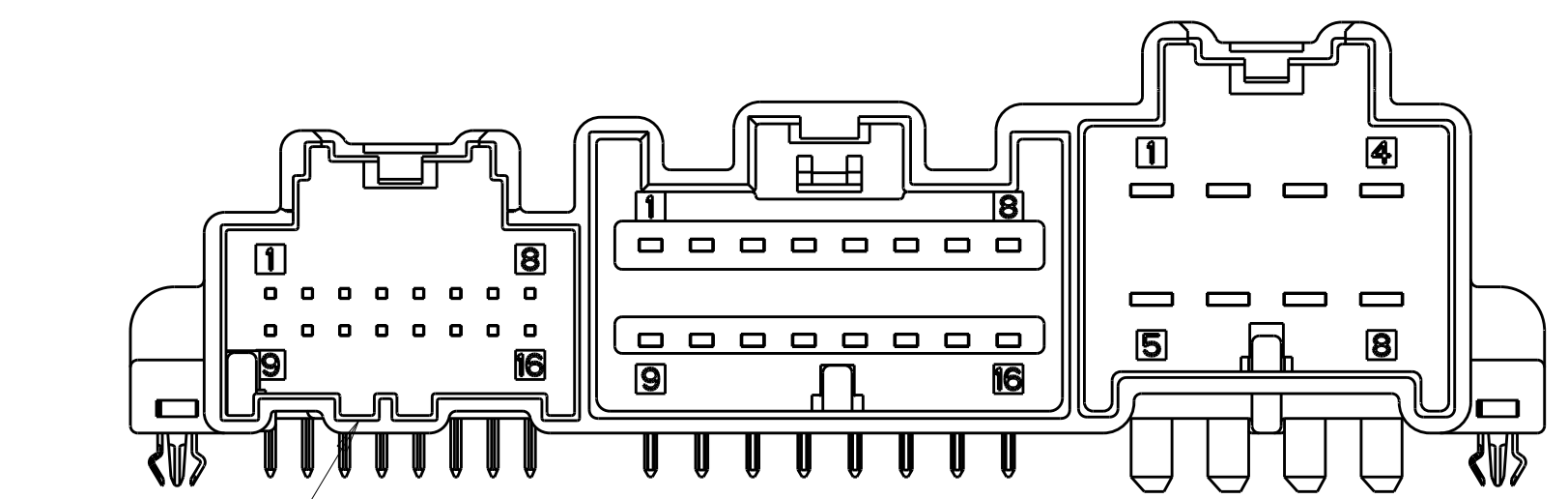


RECOMMENDED PCB LAYOUT
 SCALE: 2:1

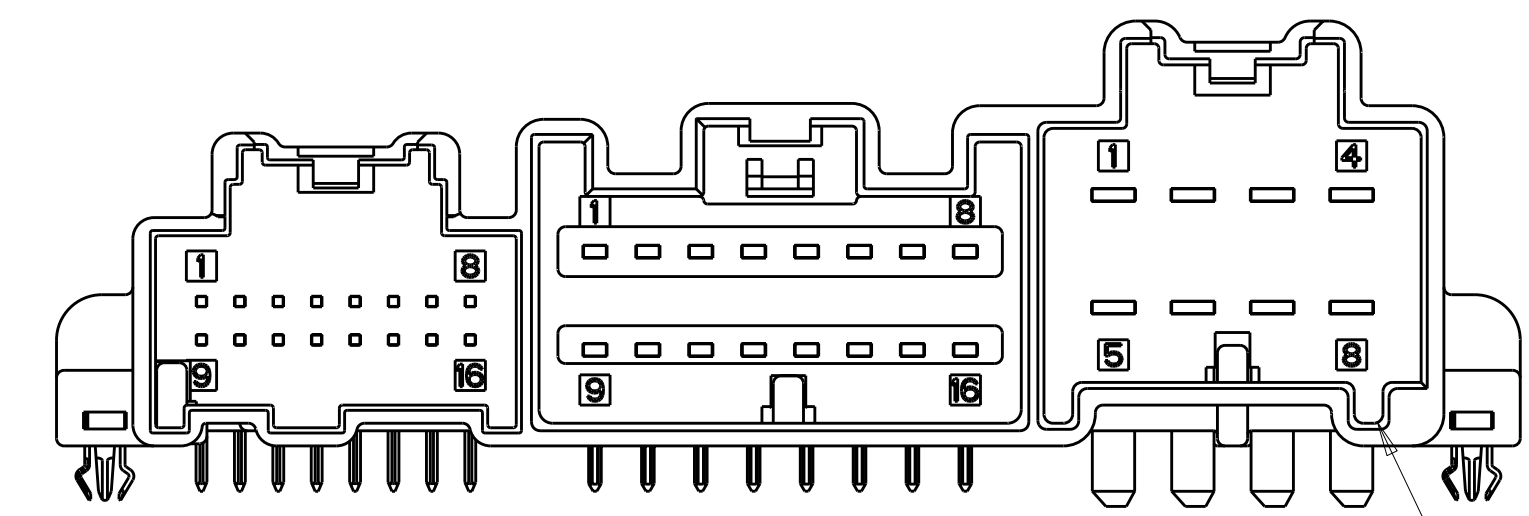


CONNECTOR DESCRIPTION	SUPPLIER	SUPPLIER PART #	KEY
8-WAY CONNECTOR 2.8mm SERIES	SUMITOMO	6098-4713	A
16-WAY CONNECTOR 1.5mm SERIES	SUMITOMO	6098-4611	A
16-WAY CONNECTOR 0.64mm SERIES	YAZAKI	7283-9076-30	A
		7283-9078-80	C
TERMINAL DESCRIPTION	WIRE GAGE	SUPPLIER	SUPPLIER PART #
0.64mm	20-22	YAZAKI	7116-4618-02
			8240-0128
1.5mm	20-22	SUMITOMO	8240-0127
			8100-4445
2.8mm	16-18	SUMITOMO	8100-4444
			8100-4443

- △ REF. USCAR DRAWING 064-U-016-2-Z02.
- △ REF. USCAR DRAWING 150-U-016-2-Z01.
- △ REF. USCAR DRAWING 280-U-008-2-Z01.
- 4. TERMINAL BLADE GEOMETRY DEFINED BY USCAR DRAWING EWCAP-001.
- 5. MATERIALS:
 HEADER HOUSING: ULTRAMID A3EG7
 PIN GUIDE: 30% GLASS FILLED PBT
 2.8mm TERMINAL: BRASS; 1.5mm AND 0.64mm TERMINALS: COPPER
- 6. KEYING OPTIONS SHOWN ARE ONLY KEYING OPTIONS AVAILABLE.
- 7. PLATING 0.0025-0.0040mm THICK MATTE TIN ON MATING END AND SOLDER TAIL AREA ALL OVER 0.00125-0.00225mm THICK NICKEL.



1456505-2
 SCALE 2:1



1456505-3
 SCALE 2:1

1456505-1 SHOWN																	
COLOR	PIN GUIDE	A	B	C	D	E	F	A	B	C	D	A	B	C	D	E	ASSEMBLY PART #
BLACK	X	X					X					X					1456505-3
BLACK	X			X			X					X					1456505-2
BLACK	X	X					X					X					1456505-1
		0.64 POCKET KEYING OPTION					1.5 POCKET KEYING OPTION					2.8 POCKET KEYING OPTION					

DIMENSIONS: mm	TOLERANCES UNLESS OTHERWISE SPECIFIED: 9 PLC ± 1 PLC ±0.3 3 PLC ±0.10 5 PLC ± 4 PLC ± ANGLES ±	DWN R. VESTAL 16MAR2006 CHK D. REVAK 16MAR2006 APVD D. REVAK 16MAR2006	Tyco Electronics Harrisburg, PA 17105-3608
MATERIAL: SEE NOTES	FINISH: SEE NOTES	PRODUCT SPEC APPLICATION SPEC WEIGHT CUSTOMER DRAWING	NAME: 40-WAY 3 POCKET AMPLIFIER HEADER ASSEMBLY SIZE: A11 00779 C=1456505 SHEET 1 OF 1 REV A5

Mouser Electronics

Authorized Distributor

Click to View Pricing, Inventory, Delivery & Lifecycle Information:

[TE Connectivity:](#)

[1456505-3](#)