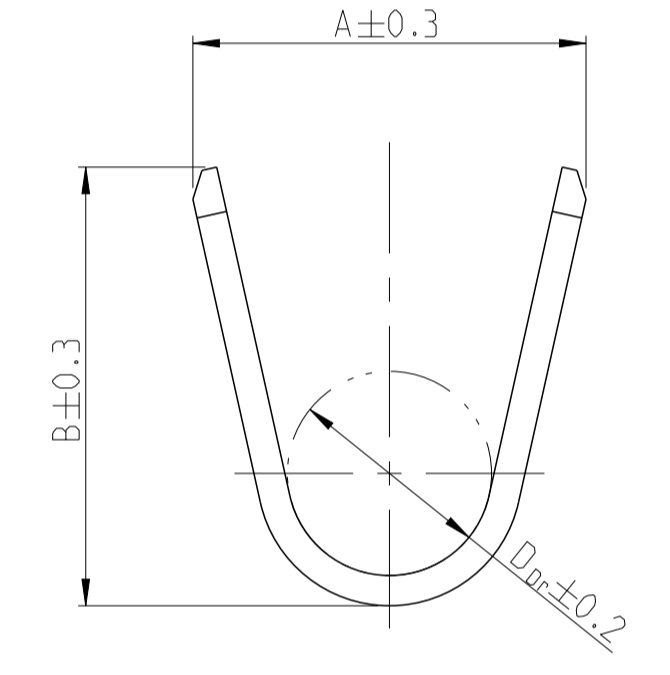
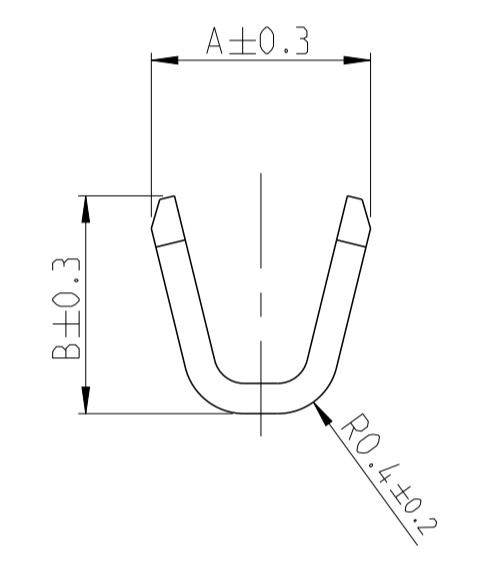
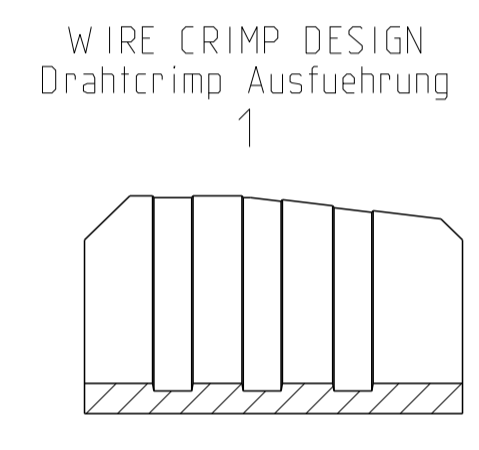
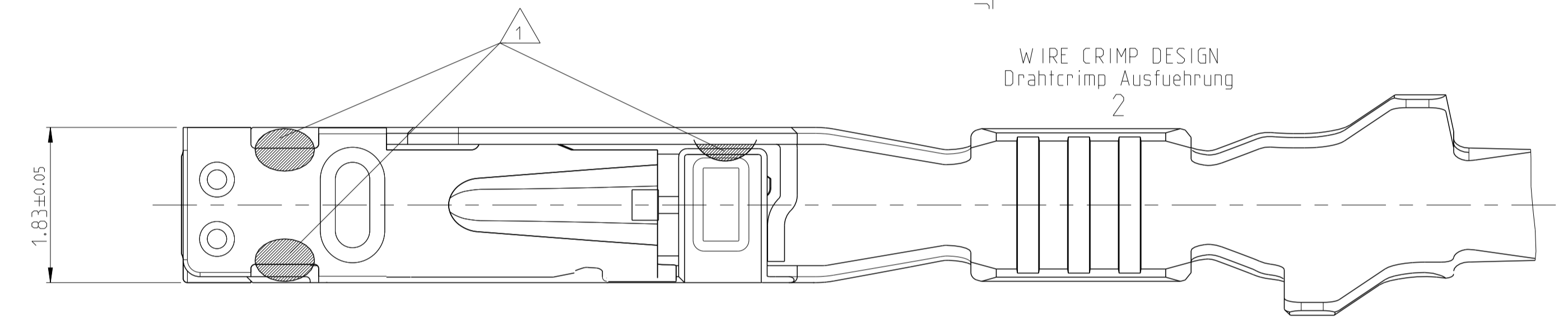
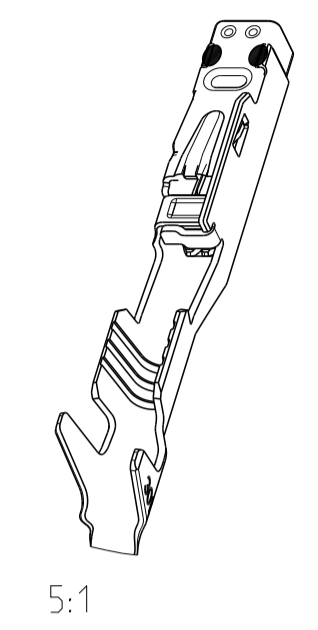
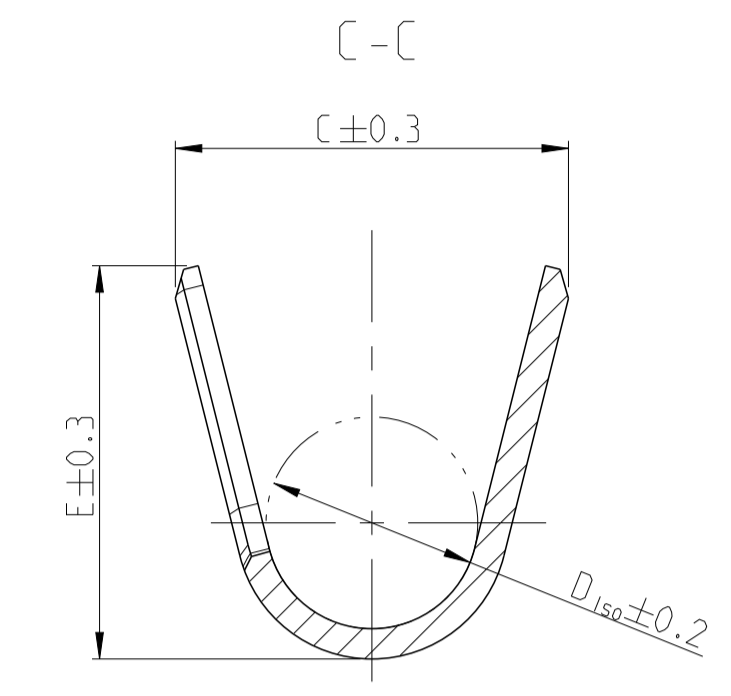
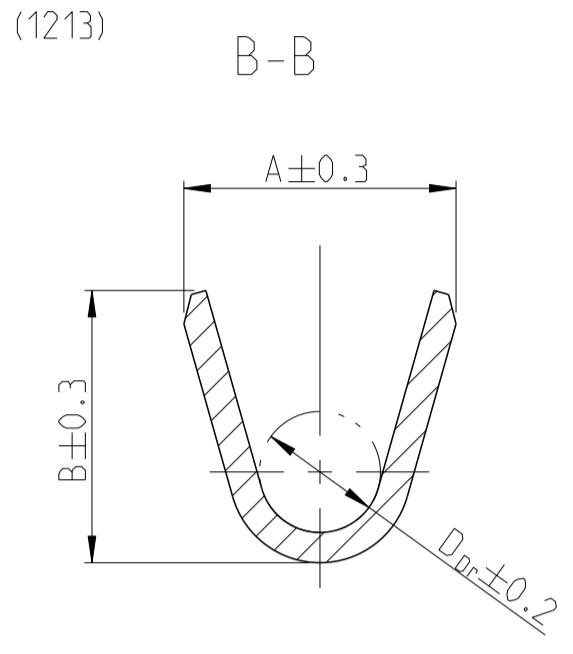
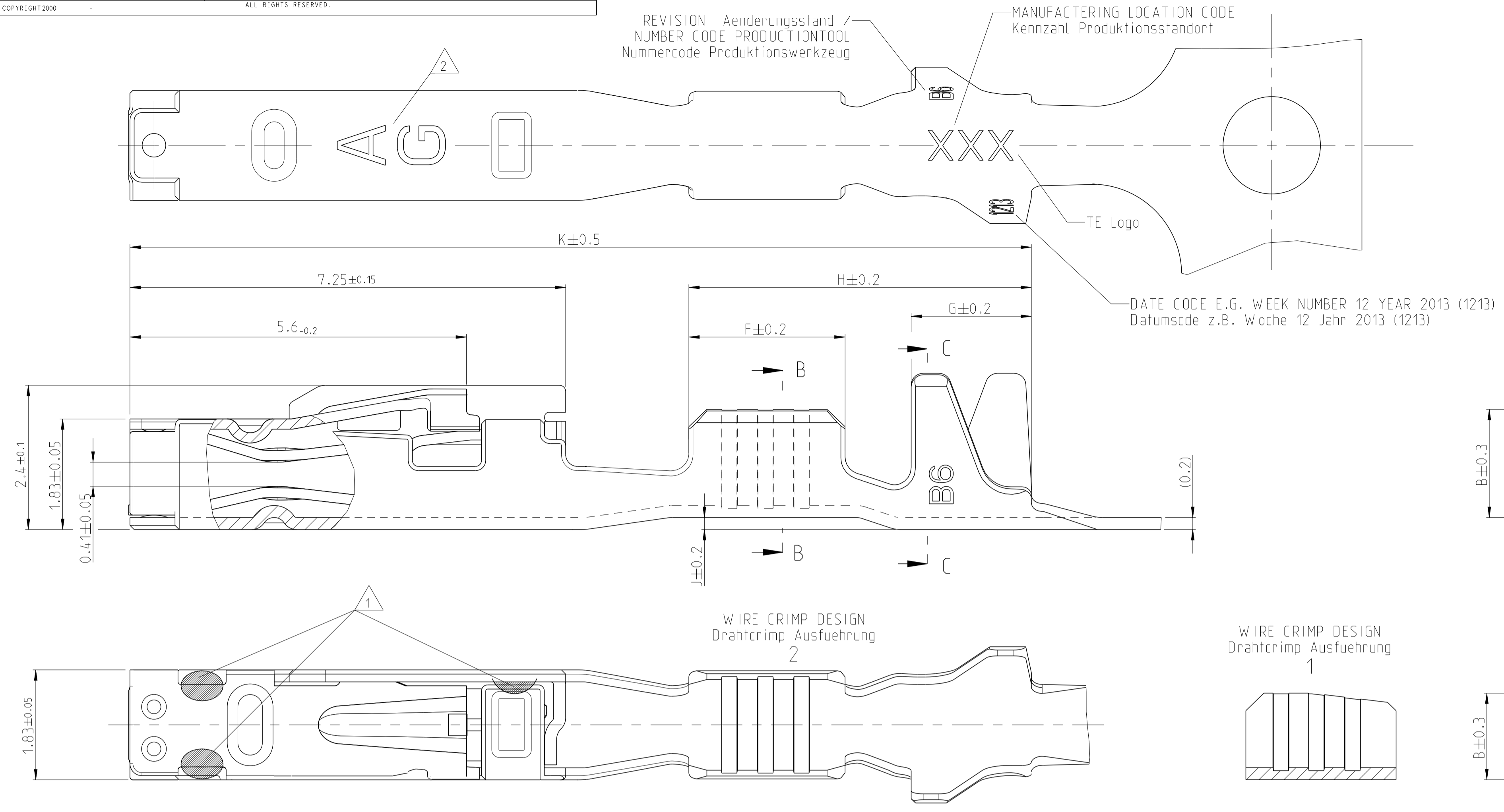


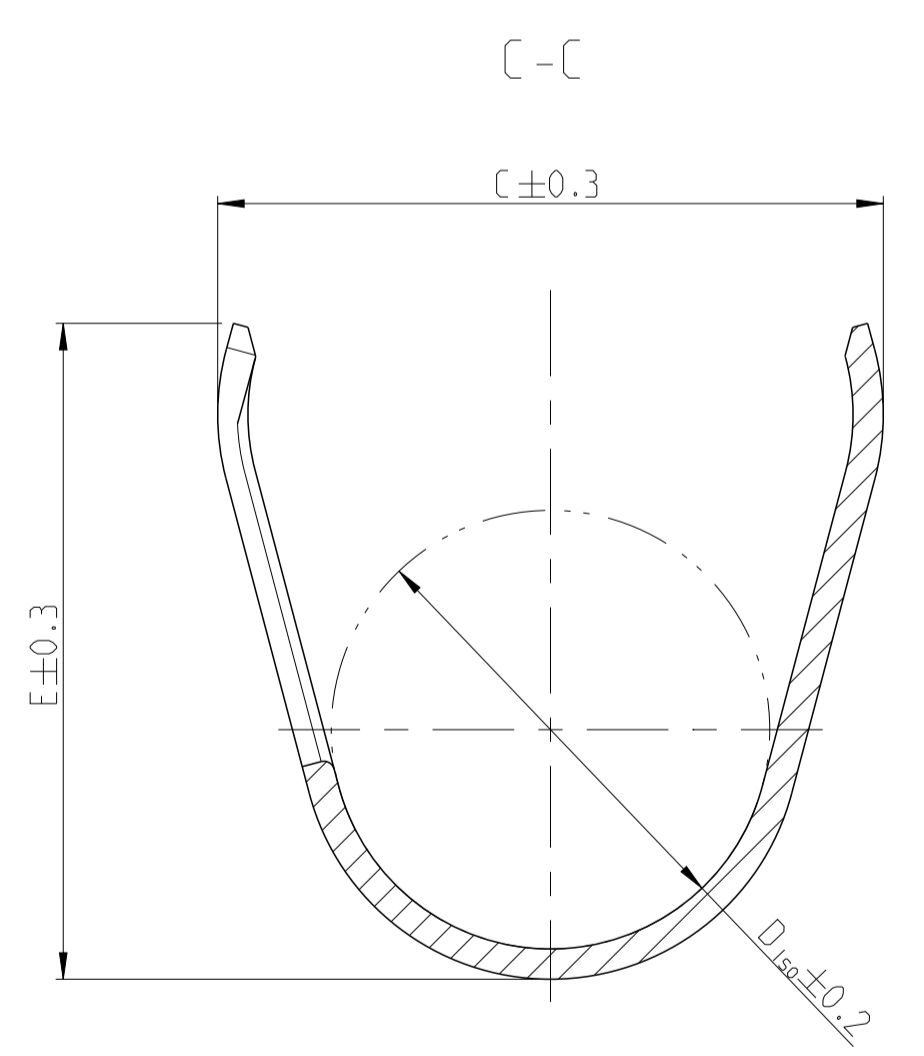
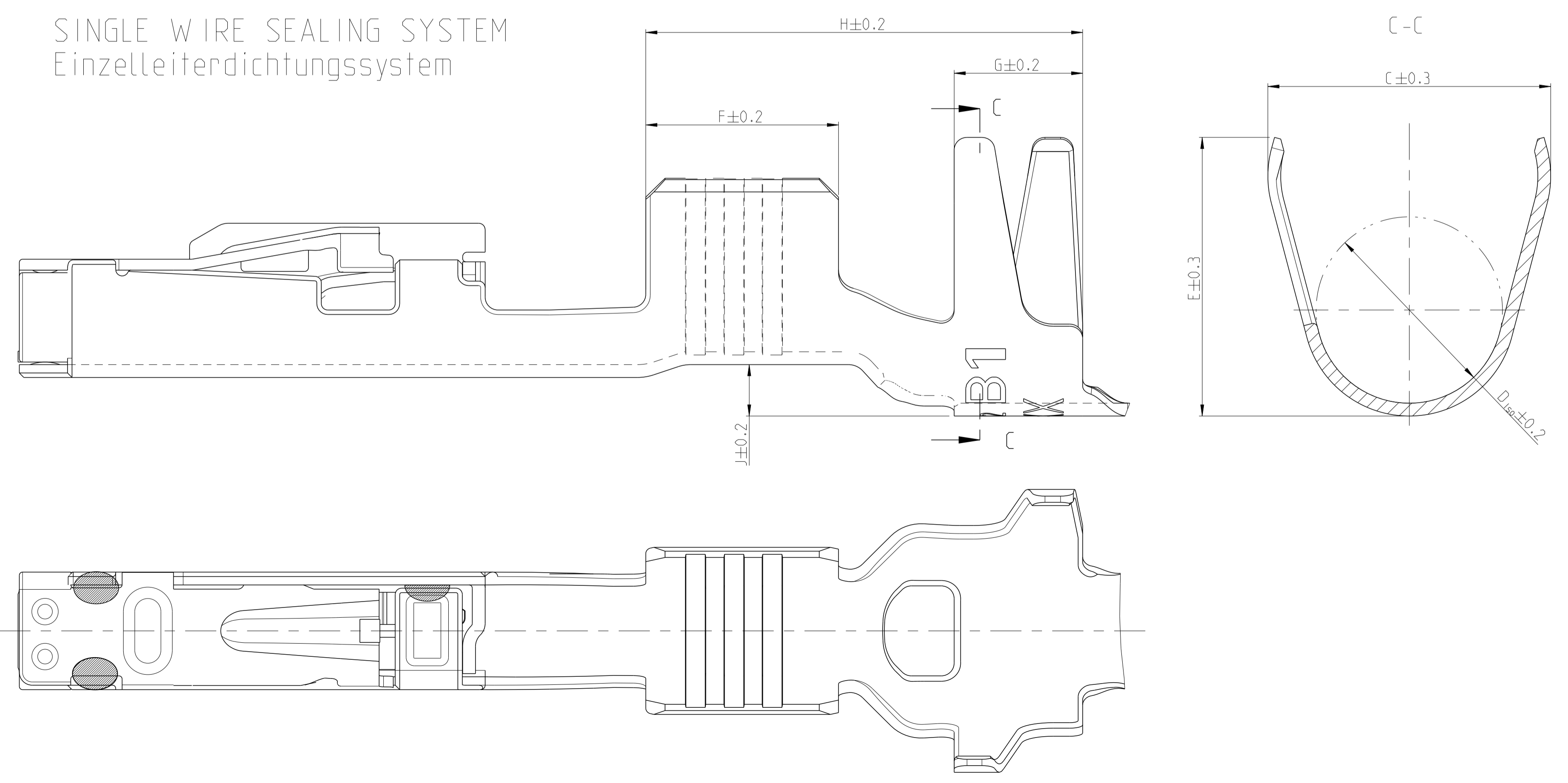
REVISION Aenderungsstand /
 NUMBER CODE PRODUCTIONTOOL
 Nummercode Produktionswerkzeug

MANUFACTURING LOCATION CODE
 Kennzahl Produktionsstandort

STANDARD APPLICATION
 Standard Anwendung

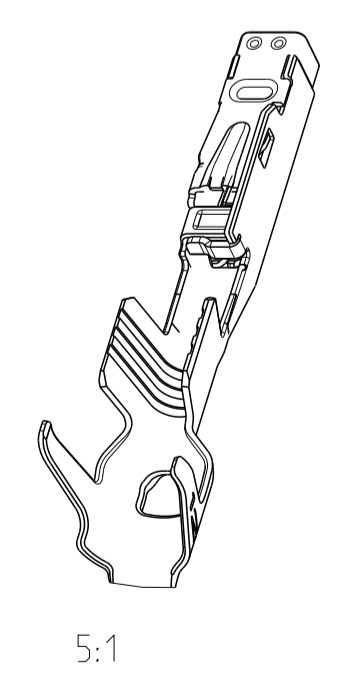


SINGLE WIRE SEALING SYSTEM
 Einzelleiterdichtungssystem



NOTES
 Bemerkungen

- 1 LASER WELDED
 Lasergeschweisst
- 2 STAMPED INDICATOR FOR PLATING:
 - AU GOLD PLATING
 - AG SILVER PLATING
 - TIN PLATING WITHOUT INDICATOR
 Markierung fuer galvanische Ausfuehrung:
 - AU vergoldet
 - AG versilbert
 - verzinkt: ohne Markierung
- 3 TO BE USED ON TAB
 1.2 ± 0.1 x 0.6 ± 0.03 MM
 geeignet fuer Flachstecker
 1.2 ± 0.1 x 0.6 ± 0.03 mm



THIS DRAWING IS A CONTROLLED DOCUMENT.		OWN E. Horn	11NOV2011	TE Connectivity NAME MCON 1.2 LL (LOCKING-LANCE)
DIMENSIONS: mm		CHK R. Meier	11NOV2011	
TOLERANCES UNLESS OTHERWISE SPECIFIED: mm		APVD V. Seipel	11NOV2011	SIZE A1
0-PLC ±0.2 1-PLC ±0.2 2-PLC ±0.2 3-PLC ±0.2 ANGLES ±1° FINISH		PRODUCT SPEC 108-18782	APPLICATION SPEC 114-18464	RESTRICTED TO -
MATERIAL		WEIGHT 0.18 g	Customer Drawing	SCALE 20:1
		SHEET 1 OF 2		REV C6

LOC		DIST		REVISIONS			
AL		P	LTN	DESCRIPTION	DATE	OWN	APVD
		-		SEE SHEET 1	-	-	-

VERSION / Ausführung	REV.	RANGE Bereich	INSULATION-Ø Isolations-Ø [mm]	AWG	mm ²	BODY Kontakt-körper	SPRING Kontakt-feder	BODY Kontakt-körper	SPRING Kontakt-feder	DESIGN WIRE-CRIMP Ausführung Draht-Crimp	DIMENSIONS											Ø3.55 [mm]	Ø3.95 [mm]	BLINDPLUG ORDER NO. B (indisoption Bestell-Nr.)	APPLICATION TOOLS Verarbeitungswerkzeuge	
											A	B	D _{Dr}	C	E	D _{ISO}	F	G	H	J	K					
SINGLE WIRE SEAL / Einzelzeichnung	2141970-3	A	0.13-	0.95-	-	0.13	CuSn4	CuNiSi	8	7	1	1.5	1.4	-	4.1	4.0	2.6	2.5	1.9	6.2	0.6	16	967067-2	963142-2	967056-1 for Ø 3.55 963143-1 for Ø 3.95	SEE APPLICATION SPEC. 114-18464 Siehe Verarbeitungsspez. 114-18464
	2141970-2	A	0.22	1.2	-	0.17				6	1	1.5	1.4	-	4.1	4.0	2.6	2.5	1.9	6.2	0.6	16	967067-2	963142-2		
	2141970-1	A	9	1.2	-	0.22				5	1	1.5	1.4	-	4.1	4.0	2.6	2.5	1.9	6.2	0.6	16	967067-2	963142-2		
	7-1452665-3	A	0.25-	1.1-	-	0.25				7	2	1.8	1.8	0.8	4.2	4.3	2.6	2.6	2.0	6.4	0.8	16	967067-2	963142-2		
	7-1452665-2	A	0.35	1.75	24	-				6	2	1.8	1.8	0.8	4.2	4.3	2.6	2.6	2.0	6.4	0.8	16	967067-2	963142-2		
	7-1452665-1	A	0.35	1.75	22	-				5	2	1.8	1.8	0.8	4.2	4.3	2.6	2.6	2.0	6.4	0.8	16	967067-1	963142-2		
	7-1452668-3	A	0.5-	1.4-	20	0.5				7	2	2.0	2.1	1.1	4.2	4.3	2.7	2.6	2.0	6.4	0.8	16	967067-1	963142-2		
	7-1452668-2	A	0.75	1.9	-	0.75				6	2	2.0	2.1	1.1	4.2	4.3	2.7	2.6	2.0	6.4	0.8	16	967067-1	963142-2		
	7-1452668-1	A	0.75	1.9	-	0.75				5	2	2.0	2.1	1.1	4.2	4.3	2.7	2.6	2.0	6.4	0.8	16	967067-1	963142-2		
	7-1452671-3	A	1-	1.9-	18	-				7	2	2.6	2.9	1.35	4.4	4.3	2.9	3.0	2.0	6.8	0.8	16.55	967067-1	967067-1 OPTIONAL 963142-1		
	7-1452671-2	A	1.5	2.4	16	-				6	2	2.6	2.9	1.35	4.4	4.3	2.9	3.0	2.0	6.8	0.8	16.55	-	967067-1 OPTIONAL 963142-1		
	7-1452671-1	A	1.5	2.4	-	1.5				5	2	2.6	2.9	1.35	4.4	4.3	2.9	3.0	2.0	6.8	0.8	16.55	-	967067-1 OPTIONAL 963142-1		

VERSION / Ausführung	REV.	RANGE Bereich	INSULATION-Ø Isolations-Ø [mm]	AWG	mm ²	BODY Kontakt-körper	SPRING Kontakt-feder	BODY Kontakt-körper	SPRING Kontakt-feder	DESIGN WIRE-CRIMP Ausführung Draht-Crimp	DIMENSIONS											Ø3.55 [mm]	Ø3.95 [mm]	BLINDPLUG ORDER NO. B (indisoption Bestell-Nr.)	APPLICATION TOOLS Verarbeitungswerkzeuge	
											A	B	D _{Dr}	C	E	D _{ISO}	F	G	H	J	K					
SINGLE WIRE SEAL / Einzelzeichnung	0-1452665-3	B	0.25-	1.1-	-	0.25	CuSn0.15/0.2	CuNiSi	5	7	2	1.8	1.8	0.8	4.2	4.3	2.6	2.6	2.0	6.4	0.8	16	967067-2	963142-2	967056-1 for Ø 3.55 963143-1 for Ø 3.95	SEE APPLICATION SPEC. 114-18464 Siehe Verarbeitungsspez. 114-18464
	0-1452665-2	B	0.35	1.75	24	-				6	2	1.8	1.8	0.8	4.2	4.3	2.6	2.6	2.0	6.4	0.8	16	967067-2	963142-2		
	0-1452665-1	B	0.35	1.75	22	-				5	2	1.8	1.8	0.8	4.2	4.3	2.6	2.6	2.0	6.4	0.8	16	967067-1	963142-2		
	0-1452668-3	C	0.5-	1.4-	20	0.5				7	2	2.0	2.1	1.1	4.2	4.3	2.7	2.6	2.0	6.4	0.8	16	967067-1	963142-2		
	0-1452668-2	C	0.75	1.9	-	0.75				6	2	2.0	2.1	1.1	4.2	4.3	2.7	2.6	2.0	6.4	0.8	16	967067-1	963142-2		
	0-1452668-1	C	0.75	1.9	-	0.75				5	2	2.0	2.1	1.1	4.2	4.3	2.7	2.6	2.0	6.4	0.8	16	967067-1	963142-2		
	0-1452671-3	B	1-	1.9-	18	-				7	3	2.6	2.9	1.35	4.4	4.3	2.9	3.0	2.0	6.8	0.8	16.55	967067-1	967067-1 OPTIONAL 963142-1		
	0-1452671-2	B	1.5	2.4	16	-				6	3	2.6	2.9	1.35	4.4	4.3	2.9	3.0	2.0	6.8	0.8	16.55	-	967067-1 OPTIONAL 963142-1		
	0-1452671-1	B	1.5	2.4	-	1.5				5	3	2.6	2.9	1.35	4.4	4.3	2.9	3.0	2.0	6.8	0.8	16.55	-	967067-1 OPTIONAL 963142-1		
	0-1452653-3	B	0.25-	1.1-	-	0.25				7	2	1.8	1.8	0.8	2.6	2.6	1.4	2.6	2.0	5.7	0.2	15	-	-		
	0-1452653-2	B	0.35	1.75	24	-				6	2	1.8	1.8	0.8	2.6	2.6	1.4	2.6	2.0	5.7	0.2	15	-	-		
	0-1452653-1	B	0.35	1.75	22	-				5	2	1.8	1.8	0.8	2.6	2.6	1.4	2.6	2.0	5.7	0.2	15	-	-		
0-1452656-3	C	0.5-	1.4-	20	0.5	7	2	2.0	2.1	1.1	2.7	2.9	1.6	3.0	2.0	6.1	0.2	16	-	-						
0-1452656-2	C	0.75	1.9	-	0.75	6	2	2.0	2.1	1.1	2.7	2.9	1.6	3.0	2.0	6.1	0.2	16	-	-						
0-1452656-1	C	0.75	1.9	-	0.75	5	2	2.0	2.1	1.1	2.7	2.9	1.6	3.0	2.0	6.1	0.2	16	-	-						
0-1452659-3	B	1-	1.9-	18	-	7	3	2.6	2.9	1.35	3.7	3.9	2.1	3.0	2.0	6.1	0.2	16	-	-						
0-1452659-2	B	1.5	2.4	16	-	6	3	2.6	2.9	1.35	3.7	3.9	2.1	3.0	2.0	6.1	0.2	16	-	-						
0-1452659-1	B	1.5	2.4	-	1.5	5	3	2.6	2.9	1.35	3.7	3.9	2.1	3.0	2.0	6.1	0.2	16	-	-						

7- VARIANTS FOR NEW APPLICATIONS

- NOTES
Bemerkungen
- 4 ONLY FOR FLR-WIRE SEE DIN 72551, PART 6 AND AWG WIRE ACCORDING DC-SPEC: MS-8288 ; MS-7889 ; MS-9532
Nur fuer FLR-Leitung nach DIN 72551, Teil 6 und AWG Leitung nach DC-SPEC: MS-8288 ; MS-7889 ; MS-9532
 - 5 PRE TIN SnAg 1.0 TO 3.0µm
Vorverzinkt SnAg 1.0 bis 3.0µm
 - 6 SPRING GOLD PLATED MIN. 0.8µm (only contact area)
Kontaktfeder galv. vergoldet min.0.8µm (nur Kontaktzone)
 - 7 SPRING SILVER PLATED 2.0 TO 5.0µm (only contact area)
Kontaktfeder galv. versilbert 2.0 bis 5.0µm (nur Kontaktzone)
 - 8 BODY PRE TIN Sn 1.0 TO 3.0µm
Kontaktkoerper vorverzinkt Sn 1.0 bis 3.0µm
 - 9 REINFORCED WIRE ACCORDING TO LV 112-4
Zugverstaerkte Leitung nach LV 112-4

0- VARIANTS SUPERSEDED BY 7- VARIANTS (SEE TABLE ON TOP) NOT FOR NEW APPLICATIONS

THIS DRAWING IS A CONTROLLED DOCUMENT.

OWN E. Horn	11NOV2011	TE Connectivity MCON 1.2 LL (LOCKING-LANCE)
CHK R. Meier	11NOV2011	
APVD V. Seigel	11NOV2011	
NAME		
DIMENSIONS: mm	TOLERANCES UNLESS OTHERWISE SPECIFIED: ±0.2	SIZE CAGE CODE DRAWING NO. RESTRICTED TO
MATERIAL	FINISH	A1 00779 ©=1452674
Customer Drawing		SCALE - SHEET 2 OF 2 REV C6

Mouser Electronics

Authorized Distributor

Click to View Pricing, Inventory, Delivery & Lifecycle Information:

[TE Connectivity:](#)

[1452671-2](#)