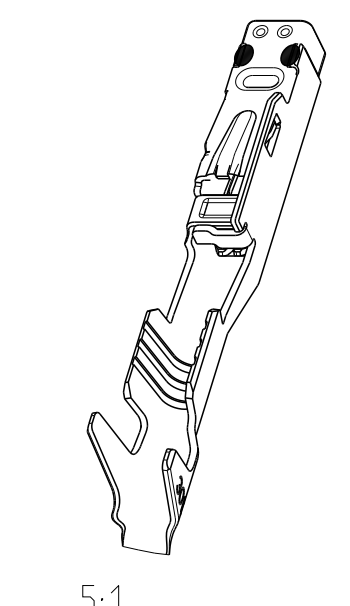
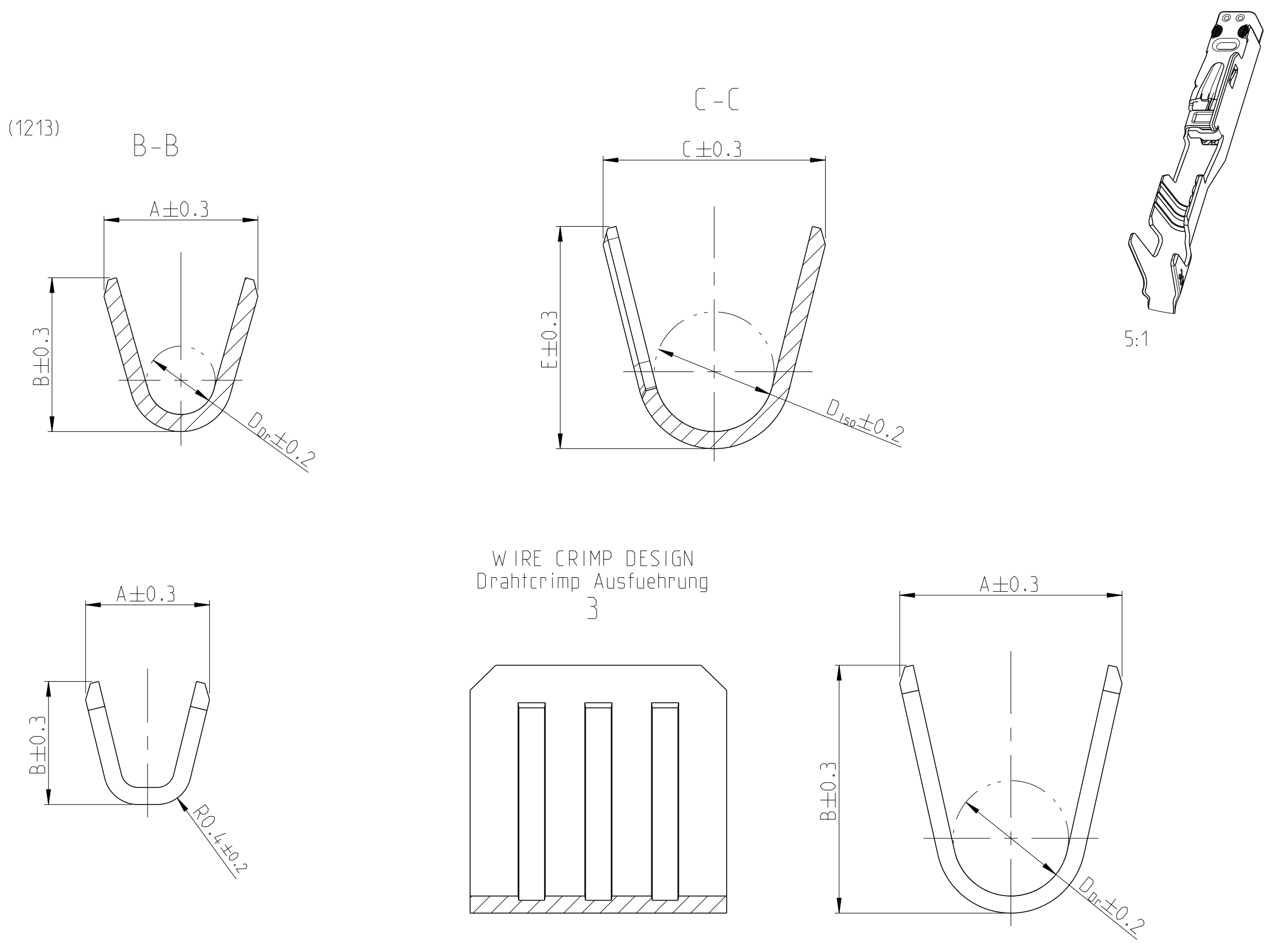
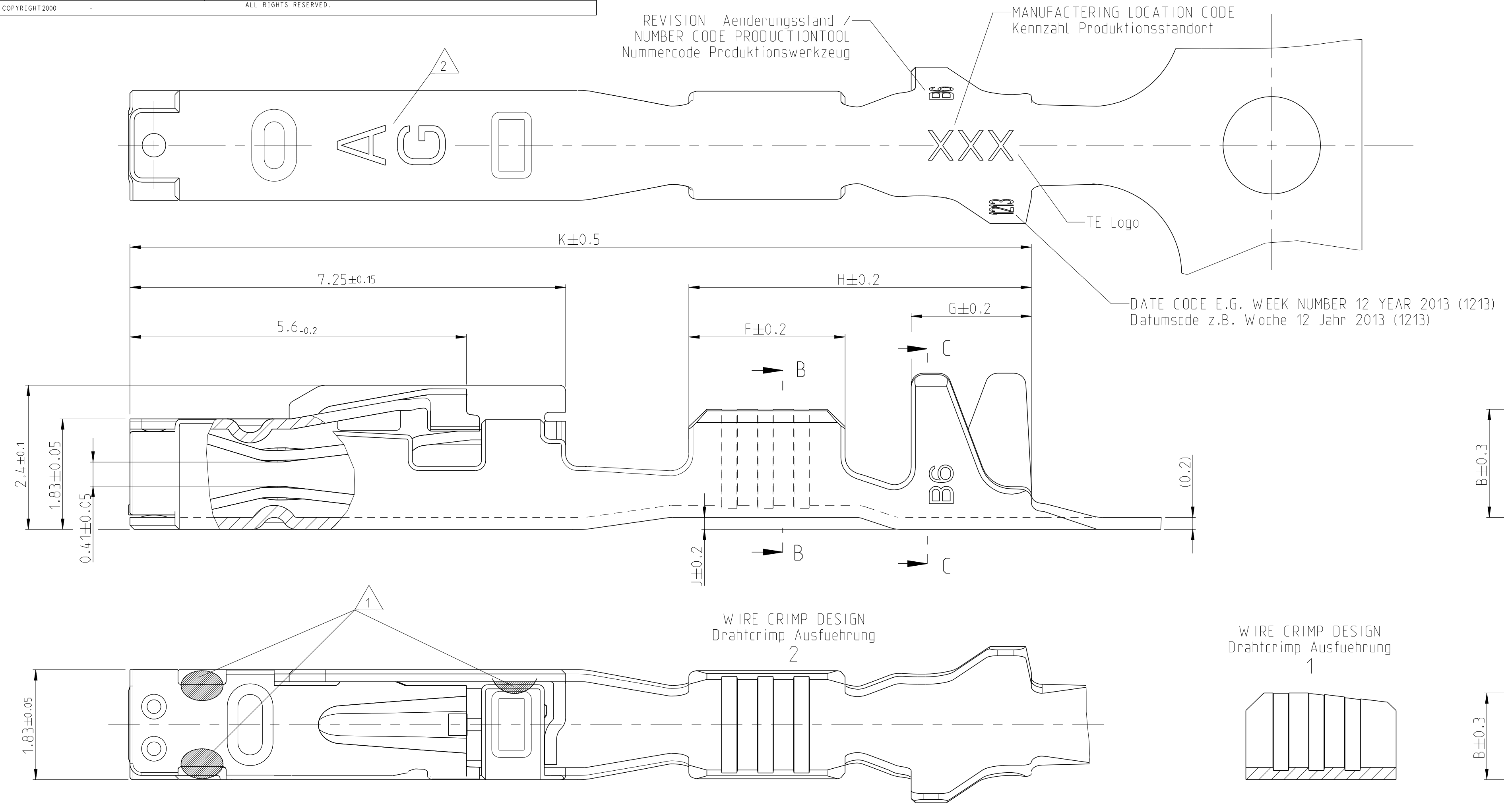


Project No. PRJ-11-000001417	Loc A1	Dist -	REVISIONS			
			REV	DATE	BY	APPV
			C3	24APR2013	Abr	Raab
			C4	06FEB2014	Abr	Raab
			C5	12JUN2014	Abr	Raab
			C6	25AUG2014	Abr	Raab

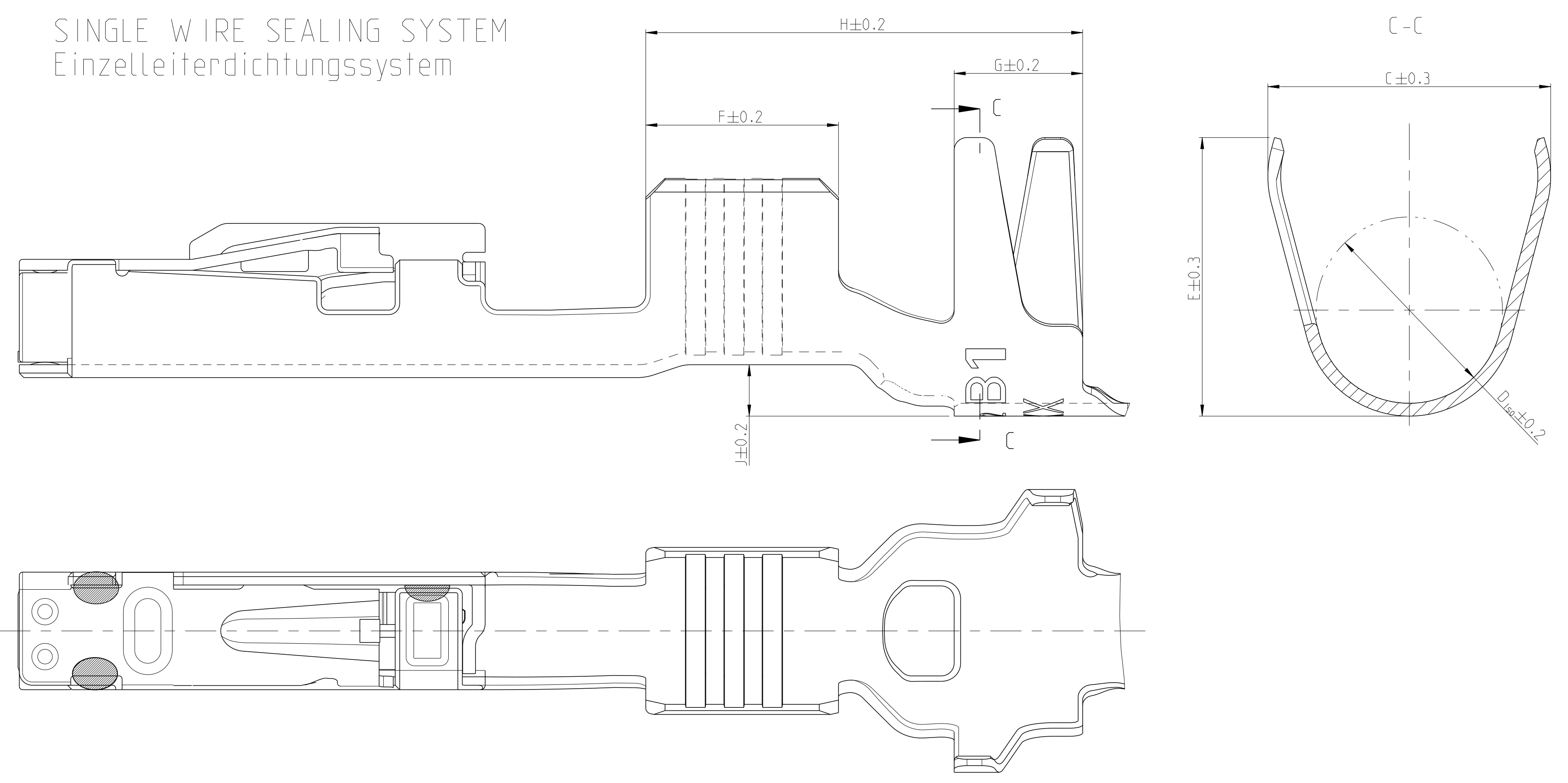
REVISION Aenderungsstand /
 NUMBER CODE PRODUCTIONTOOL
 Nummercode Produktionswerkzeug

MANUFACTURING LOCATION CODE
 Kennzahl Produktionsstandort

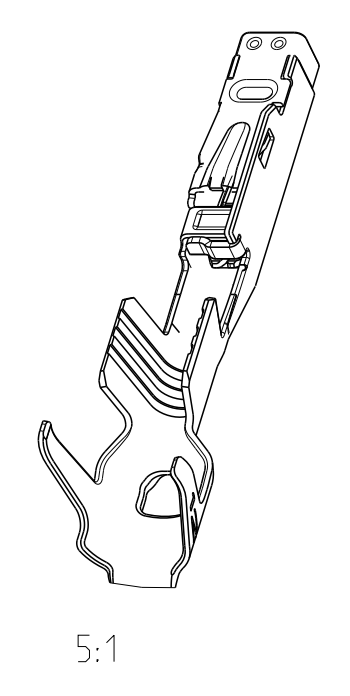
STANDARD APPLICATION
 Standard Anwendung



SINGLE WIRE SEALING SYSTEM
 Einzelleiterdichtungssystem



- NOTES
 Bemerkungen
- 1 LASER WELDED
 Lasergeschweisst
 - 2 STAMPED INDICATOR FOR PLATING:
 - AU GOLD PLATING
 - AG SILVER PLATING
 - TIN PLATING WITHOUT INDICATOR
 Markierung fuer galvanische Ausfuehrung:
 - AU vergoldet
 - AG versilbert
 - verzinkt: ohne Markierung
 - 3 TO BE USED ON TAB
 1.2±0.1 x 0.6±0.03 MM
 geeignet fuer Flachstecker
 1.2±0.1 x 0.6±0.03 mm



THIS DRAWING IS A CONTROLLED DOCUMENT.		OWN E. Horn	11NOV2011	TE Connectivity NAME MCON 1.2 LL (LOCKING-LANCE)
DIMENSIONS: mm		CHK R. Meier	11NOV2011	
TOLERANCES UNLESS OTHERWISE SPECIFIED: mm		APVD V. Seipel	11NOV2011	SIZE A1
0-PLC ±0.2 1-PLC ±0.2 2-PLC ±0.2 3-PLC ±0.2 ANGLES ±1° FINISH		PRODUCT SPEC 108-18782	APPLICATION SPEC 114-18464	CAGE CODE 00779
MATERIAL		WEIGHT 0.18 g	Customer Drawing	RESTRICTED TO -
		SCALE 20:1	SHEET 1 OF 2	REV C6

LOC	DIST	REVISIONS					
		P	LTN	DESCRIPTION	DATE	OWN	APVD
A1	-	-	-	SEE SHEET 1	-	-	-

VERSION / Ausführung	REV.	RANGE Bereich	WIRE-SIZE RANGE INSULATION DIAMETER Leiterschnitt Isolationsdurchmesser	AWG	mm ²	BODY Kontakt-körper	SPRING Kontakt-feder	BODY Kontakt-körper	SPRING Kontakt-feder	DESIGN WIRE-CRIMP Ausführung Draht-Crimp	Cavity Dimensions											Ø3.55 [mm]	Ø3.95 [mm]	BLINDPLUG ORDER NO. B (indisoption Bestell-Nr.)	APPLICATION TOOLS Verarbeitungswerkzeuge			
											A	B	D _{Dr}	C	E	D _{ISO}	F	G	H	J	K							
SINGLE WIRE SEAL / Einzelzeichnung												7	1	1.5	1.4	-	4.1	4.0	2.6	2.5	1.9	6.2	0.6	16	967067-2	963142-2	967056-1 for Ø 3.55 963143-1 for Ø 3.95	SEE APPLICATION SPEC. 114-18464 Sichtbare Verarbeitungsspez. 114-18464
2141970-3	A	0.13-	0.95-	-	0.13						6	2	1.8	1.8	0.8	4.2	4.3	2.6	2.6	2.0	6.4	0.8	16	967067-2	963142-2			
2141970-2	A	0.22	1.2	-	0.17						7	2	2.0	2.1	1.1	4.2	4.3	2.7	2.6	2.0	6.4	0.8	16	967067-1	963142-2			
2141970-1	A	9		-	0.22						5	2	2.6	2.9	1.35	4.4	4.3	2.9	3.0	2.0	6.8	0.8	16.55	967067-1	967067-1 OPTIONAL 963142-1			
7-1452665-3	A	0.25-	1.1-	-	0.25						7	1	1.5	1.4	-	2.0	1.9	1.1	2.5	1.7	5.4	0	15	-	-			
7-1452665-2	A	0.35	1.75	24	-						6	2	1.8	1.8	0.8	2.6	2.6	1.4	2.6	2.0	5.7	0.2	15	-	-			
7-1452665-1	A			22	-						5	2	2.0	2.1	1.1	2.7	2.9	1.6	3.0	2.0	6.1	0.2	16	-	-			
7-1452668-3	A	0.5-	1.4-	20	0.5						7	1	1.5	1.4	-	2.0	1.9	1.1	2.5	1.7	5.4	0	15	-	-			
7-1452668-2	A	0.75	1.9	-	0.75						6	2	1.8	1.8	0.8	2.6	2.6	1.4	2.6	2.0	5.7	0.2	15	-	-			
7-1452668-1	A			22	-						5	2	2.0	2.1	1.1	2.7	2.9	1.6	3.0	2.0	6.1	0.2	16	-	-			
7-1452671-3	A	1-	1.9-	18	-						7	1	1.5	1.4	-	2.0	1.9	1.1	2.5	1.7	5.4	0	15	-	-			
7-1452671-2	A	1.5	2.4	-	1						6	2	1.8	1.8	0.8	2.6	2.6	1.4	2.6	2.0	5.7	0.2	15	-	-			
7-1452671-1	A			-	1.5						5	2	2.0	2.1	1.1	2.7	2.9	1.6	3.0	2.0	6.1	0.2	16	-	-			

7- VARIANTS FOR NEW APPLICATIONS

- NOTES
Bemerkungen
- 4 ONLY FOR FLR-WIRE SEE DIN 72551, PART 6 AND AWG WIRE ACCORDING DC-SPEC: MS-8288 ; MS-7889 ; MS-9532
Nur fuer FLR-Leitung nach DIN 72551, Teil 6 und AWG Leitung nach DC-SPEC: MS-8288 ; MS-7889 ; MS-9532
 - 5 PRE TIN SnAg 1.0 TO 3.0µm
Vorverzinkt SnAg 1.0 bis 3.0µm
 - 6 SPRING GOLD PLATED MIN. 0.8µm (only contact area)
Kontaktfeder galv. vergoldet min.0.8µm (nur Kontaktzone)
 - 7 SPRING SILVER PLATED 2.0 TO 5.0µm (only contact area)
Kontaktfeder galv. versilbert 2.0 bis 5.0µm (nur Kontaktzone)
 - 8 BODY PRE TIN Sn 1.0 TO 3.0µm
Kontaktkoerper vorverzinkt Sn 1.0 bis 3.0µm
 - 9 REINFORCED WIRE ACCORDING TO LV 112-4
Zugverstaerkte Leitung nach LV 112-4

VERSION / Ausführung	REV.	RANGE Bereich	WIRE-SIZE RANGE INSULATION DIAMETER Leiterschnitt Isolationsdurchmesser	AWG	mm ²	BODY Kontakt-körper	SPRING Kontakt-feder	BODY Kontakt-körper	SPRING Kontakt-feder	DESIGN WIRE-CRIMP Ausführung Draht-Crimp	Cavity Dimensions											Ø3.55 [mm]	Ø3.95 [mm]	BLINDPLUG ORDER NO. B (indisoption Bestell-Nr.)	APPLICATION TOOLS Verarbeitungswerkzeuge			
											A	B	D _{Dr}	C	E	D _{ISO}	F	G	H	J	K							
SINGLE WIRE SEAL / Einzelzeichnung												7	2	1.8	1.8	0.8	4.2	4.3	2.6	2.6	2.0	6.4	0.8	16	967067-2	963142-2	967056-1 for Ø 3.55 963143-1 for Ø 3.95	SEE APPLICATION SPEC. 114-18464 Sichtbare Verarbeitungsspez. 114-18464
0-1452665-3	B	0.25-	1.1-	-	0.25						6	2	1.8	1.8	0.8	4.2	4.3	2.6	2.6	2.0	6.4	0.8	16	967067-1	963142-2			
0-1452665-2	B	0.35	1.75	24	-						5	2	2.0	2.1	1.1	4.2	4.3	2.7	2.6	2.0	6.4	0.8	16	967067-1	963142-2			
0-1452665-1	B			22	-						7	2	2.0	2.1	1.1	4.2	4.3	2.7	2.6	2.0	6.4	0.8	16	967067-1	963142-2			
0-1452668-3	C	0.5-	1.4-	20	0.5						6	2	2.0	2.1	1.1	4.2	4.3	2.7	2.6	2.0	6.4	0.8	16	967067-1	967067-1 OPTIONAL 963142-1			
0-1452668-2	C	0.75	1.9	-	0.75						5	2	2.6	2.9	1.35	4.4	4.3	2.9	3.0	2.0	6.8	0.8	16.55	-	-			
0-1452668-1	C			22	-						7	1	1.5	1.4	-	2.0	1.9	1.1	2.5	1.7	5.4	0	15	-	-			
0-1452671-3	B	1-	1.9-	18	-						6	2	1.8	1.8	0.8	2.6	2.6	1.4	2.6	2.0	5.7	0.2	15	-	-			
0-1452671-2	B	1.5	2.4	-	1						5	2	2.0	2.1	1.1	2.7	2.9	1.6	3.0	2.0	6.1	0.2	16	-	-			
0-1452671-1	B			-	1.5						7	1	1.5	1.4	-	2.0	1.9	1.1	2.5	1.7	5.4	0	15	-	-			
0-1452653-3	B	0.25-	1.1-	-	0.25						6	2	1.8	1.8	0.8	2.6	2.6	1.4	2.6	2.0	5.7	0.2	15	-	-			
0-1452653-2	B	0.35	1.75	24	-						5	2	2.0	2.1	1.1	2.7	2.9	1.6	3.0	2.0	6.1	0.2	16	-	-			
0-1452653-1	B			22	-						7	1	1.5	1.4	-	2.0	1.9	1.1	2.5	1.7	5.4	0	15	-	-			
0-1452656-3	C	0.5-	1.4-	20	0.5						6	2	2.0	2.1	1.1	2.7	2.9	1.6	3.0	2.0	6.1	0.2	16	-	-			
0-1452656-2	C	0.75	1.9	-	0.75						5	2	2.6	2.9	1.35	3.7	3.9	2.1	3.0	2.0	6.1	0.2	16	-	-			
0-1452656-1	C			22	-						7	1	1.5	1.4	-	2.0	1.9	1.1	2.5	1.7	5.4	0	15	-	-			
0-1452659-3	B	1-	1.9-	18	-						6	2	1.8	1.8	0.8	2.6	2.6	1.4	2.6	2.0	5.7	0.2	15	-	-			
0-1452659-2	B	1.5	2.4	-	1						5	2	2.0	2.1	1.1	2.7	2.9	1.6	3.0	2.0	6.1	0.2	16	-	-			
0-1452659-1	B			-	1.5						7	1	1.5	1.4	-	2.0	1.9	1.1	2.5	1.7	5.4	0	15	-	-			

0- VARIANTS SUPERSEDED BY 7- VARIANTS (SEE TABLE ON TOP) NOT FOR NEW APPLICATIONS

THIS DRAWING IS A CONTROLLED DOCUMENT.

OWN: E. Horn	11NOV2011	TE Connectivity MCON 1.2 LL (LOCKING-LANCE)
CHK: R. Meier	11NOV2011	
APVD: V. Seigel	11NOV2011	
PRODUCT SPEC		
108-18782		SIZE: 114-18464
APPLICATION SPEC		CAGE CODE: 00779
WEIGHT: -		DRAWING NO: C=1452674
Customer Drawing		RESTRICTED TO: -
		SCALE: -
		SHEET: 2 OF 2
		REV: C6

Mouser Electronics

Authorized Distributor

Click to View Pricing, Inventory, Delivery & Lifecycle Information:

[TE Connectivity:](#)

[7-1452668-3](#)