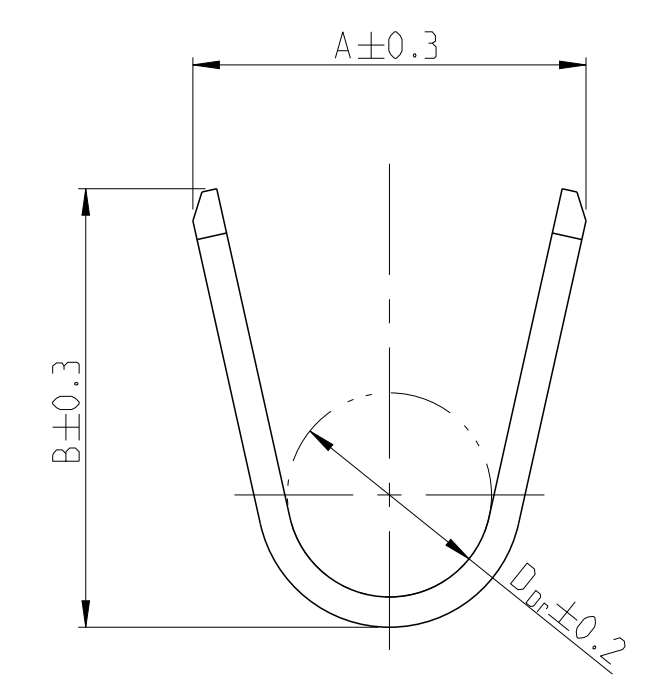
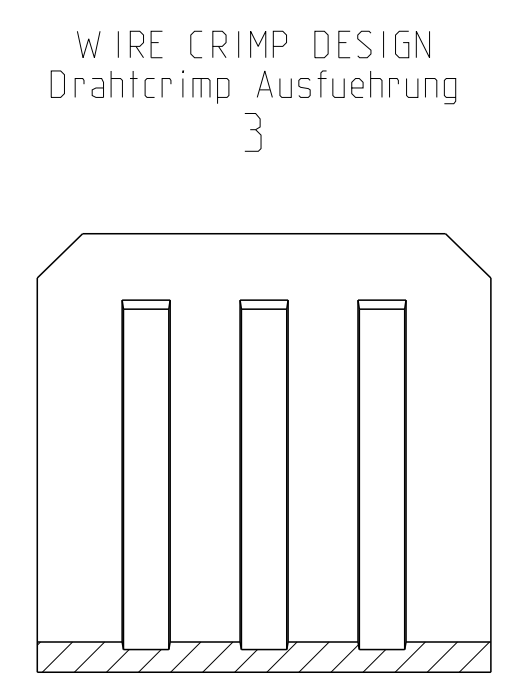
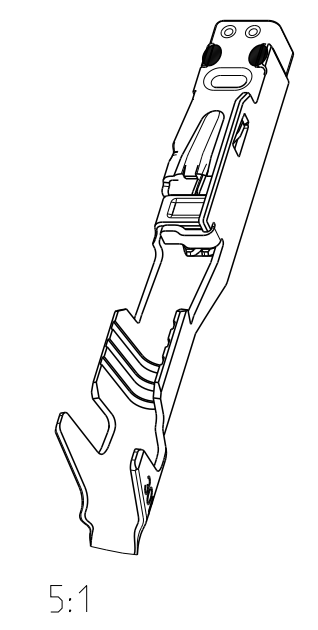
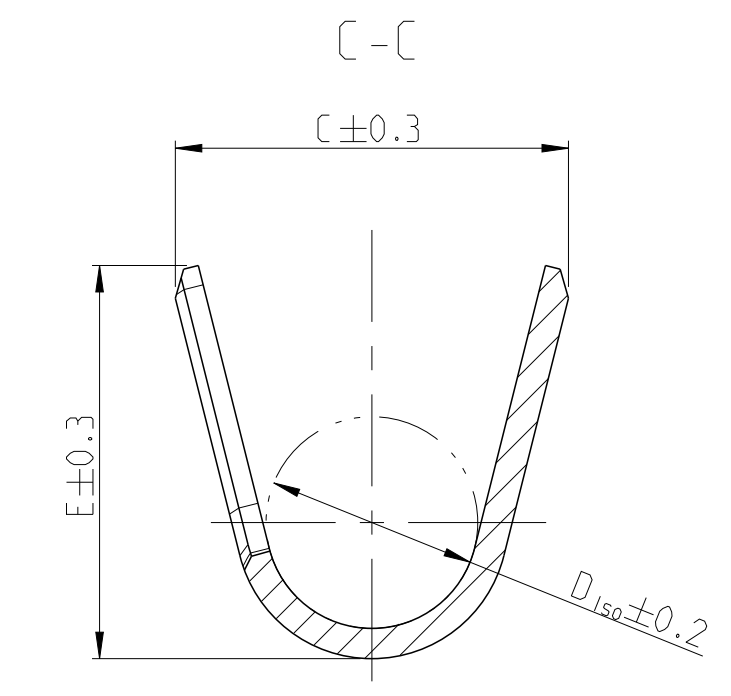
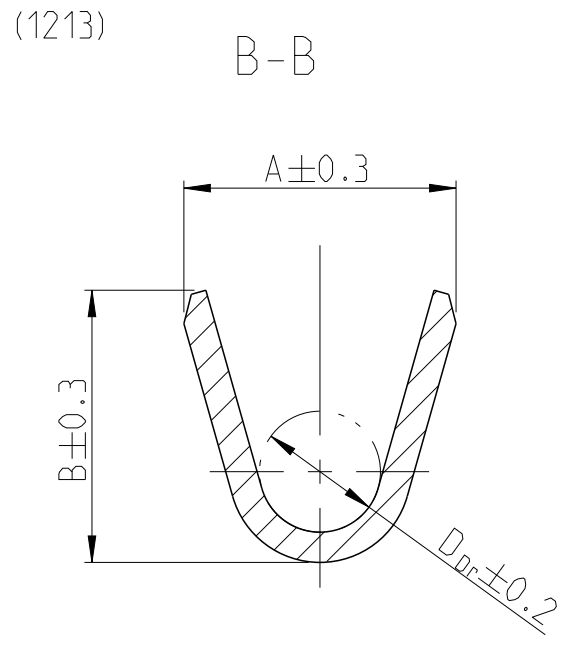
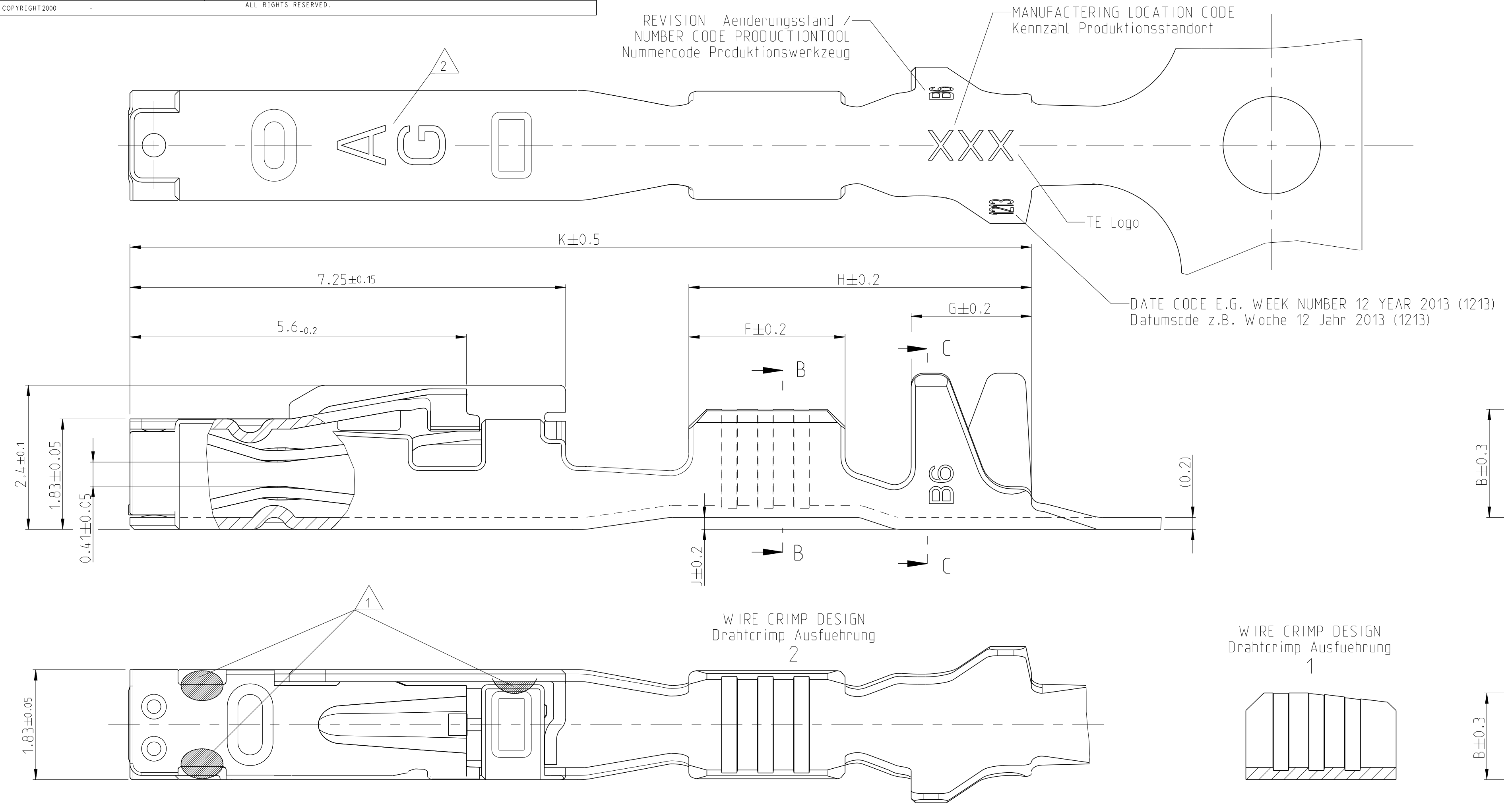


Project No. PRJ-11-000001417	Loc A1	Dist -	REVISIONS			
			REV	DATE	BY	APPV
			C3	24APR2013	Abr	Raab
			C4	06FEB2014	Abr	Raab
			C5	12JUN2014	Abr	Raab
			C6	25AUG2014	Abr	Raab

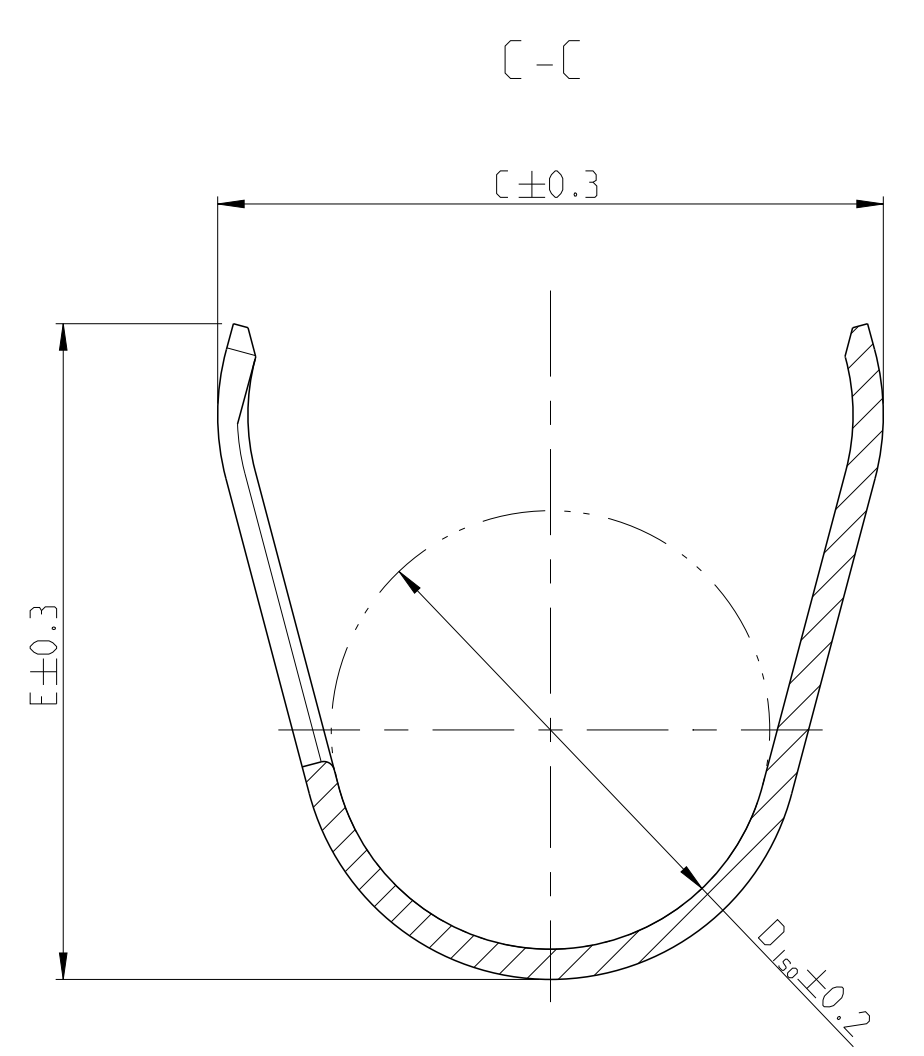
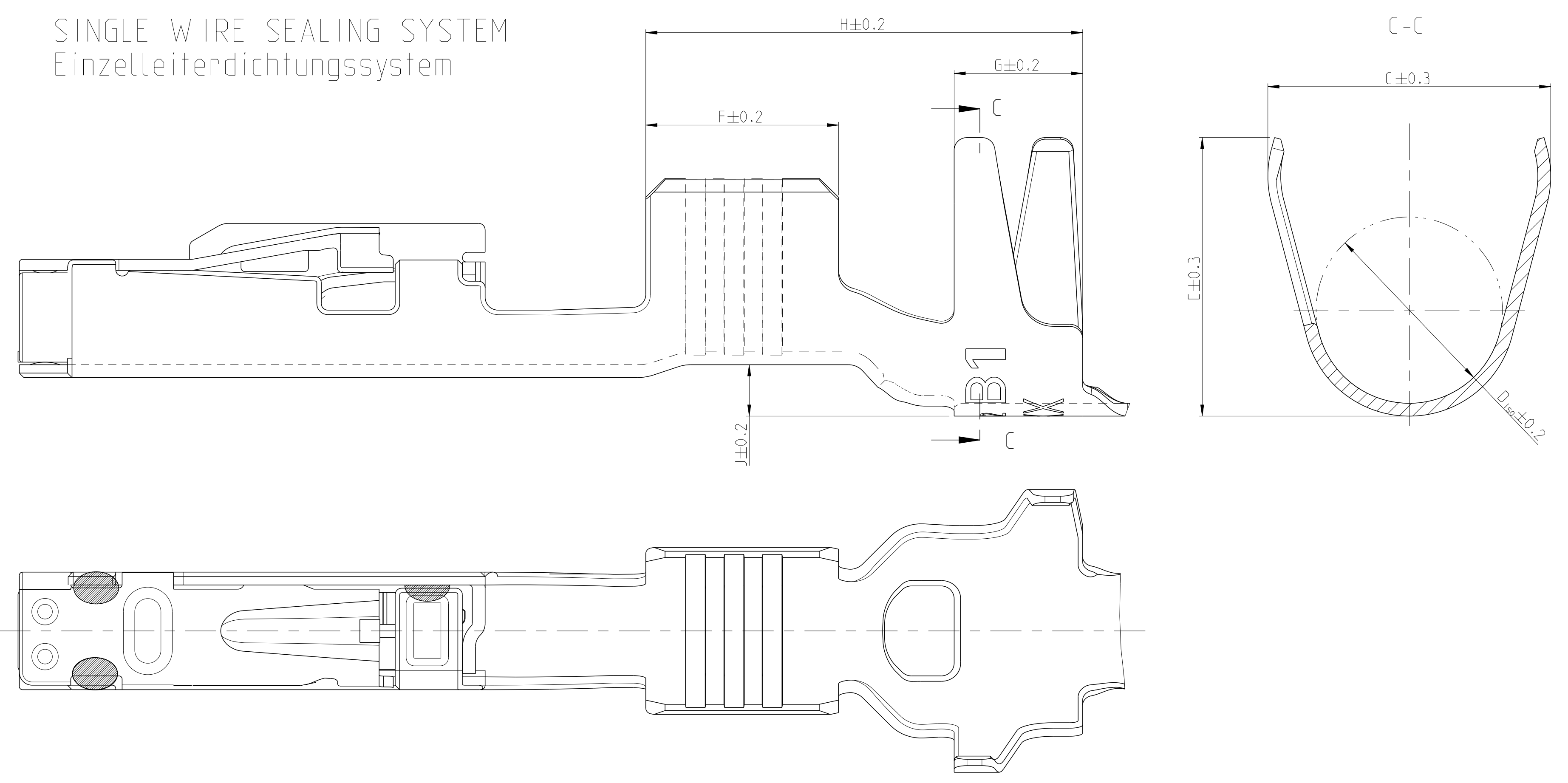
REVISION Aenderungsstand /
 NUMBER CODE PRODUCTIONTOOL
 Nummercode Produktionswerkzeug

MANUFACTURING LOCATION CODE
 Kennzahl Produktionsstandort

STANDARD APPLICATION
 Standard Anwendung

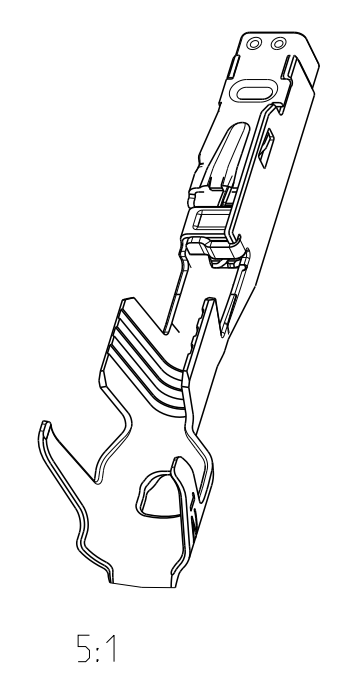


SINGLE WIRE SEALING SYSTEM
 Einzelleiterdichtungssystem



NOTES
 Bemerkungen

- 1 LASER WELDED
Lasergeschweisst
- 2 STAMPED INDICATOR FOR PLATING:
 - AU GOLD PLATING
 - AG SILVER PLATING
 - TIN PLATING WITHOUT INDICATOR
 Markierung fuer galvanische Ausfuehrung:
 - AU vergoldet
 - AG versilbert
 - verzinkt: ohne Markierung
- 3 TO BE USED ON TAB
 $1.2 \pm 0.1 \times 0.6 \pm 0.03$ MM
 geeignet fuer Flachstecker
 $1.2 \pm 0.1 \times 0.6 \pm 0.03$ mm



THIS DRAWING IS A CONTROLLED DOCUMENT.		OWN E. Horn	11NOV2011	TE Connectivity NAME MCON 1.2 LL (LOCKING-LANCE)
DIMENSIONS: mm		CHK R. Meier	11NOV2011	
TOLERANCES UNLESS OTHERWISE SPECIFIED: mm		APVD V. Seipel	11NOV2011	SIZE A1
0-2 PLC ± 0.2 3-5 PLC ± 0.2 6-8 PLC ± 0.2 ANGLES ± 0.1 FINISH ± 0.1		PRODUCT SPEC 108-18782	APPLICATION SPEC 114-18464	RESTRICTED TO -
MATERIAL		WEIGHT 0.18 g	Customer Drawing	SCALE 20:1
		SHEET 1 OF 2		REV C6

LOC		DIST		REVISIONS			
AL		P	LTN	DESCRIPTION	DATE	OWN	APVD
		-		SEE SHEET 1	-	-	-

SINGLE WIRE SEAL / Einzelzeichnung	REV.	RANGE Bereich	INSULATION Ø Isolations-Ø [mm]	AWG	mm ²	BODY Kontakt-körper	SPRING Kontakt-feder	BODY Kontakt-körper	SPRING Kontakt-feder	DESIGN WIRE-CRIMP Ausführung Draht-Crimp	DIMENSIONS											Ø3.55 [mm]	Ø3.95 [mm]	BLINDPLUG ORDER NO. B (indisoption Bestell-Nr.)	APPLICATION TOOLS Verarbeitungswerkzeuge		
											A	B	D _{Dr}	C	E	D _{ISO}	F	G	H	J	K						
2141970-3	A	0.13-	0.95-	-	0.13						7	1	1.5	1.4	-	4.1	4.0	2.6	2.5	1.9	6.2	0.6	16	967067-2	963142-2		
2141970-2	A	0.22	1.2	-	0.17						6	1	1.5	1.4	-	4.1	4.0	2.6	2.5	1.9	6.2	0.6	16	967067-2	963142-2		
2141970-1	A	9	1.2	-	0.22						5	1	1.5	1.4	-	4.1	4.0	2.6	2.5	1.9	6.2	0.6	16	967067-2	963142-2		
7-1452665-3	A	0.25-	1.1-	-	0.25						7	2	1.8	1.8	0.8	4.2	4.3	2.6	2.6	2.0	6.4	0.8	16	967067-2	963142-2		
7-1452665-2	A	0.35	1.75	24	-						6	2	1.8	1.8	0.8	4.2	4.3	2.6	2.6	2.0	6.4	0.8	16	967067-2	963142-2		
7-1452665-1	A	0.35	1.75	22	-						5	2	1.8	1.8	0.8	4.2	4.3	2.6	2.6	2.0	6.4	0.8	16	967067-1	963142-2		
7-1452668-3	A	0.5-	1.4-	20	0.5						7	2	2.0	2.1	1.1	4.2	4.3	2.7	2.6	2.0	6.4	0.8	16	967067-1	963142-2		
7-1452668-2	A	0.75	1.9	-	0.75						6	2	2.0	2.1	1.1	4.2	4.3	2.7	2.6	2.0	6.4	0.8	16	967067-1	963142-2		
7-1452668-1	A	0.75	1.9	-	0.75						5	2	2.0	2.1	1.1	4.2	4.3	2.7	2.6	2.0	6.4	0.8	16	967067-1	963142-2		
7-1452671-3	A	1-	1.9-	18	-						7	2	2.6	2.9	1.35	4.4	4.3	2.9	3.0	2.0	6.8	0.8	16.55	967067-1	967067-1		
7-1452671-2	A	1.5	2.4	16	-						6	2	2.6	2.9	1.35	4.4	4.3	2.9	3.0	2.0	6.8	0.8	16.55	-	OPTIONAL		
7-1452671-1	A	1.5	2.4	-	1.5						5	2	2.6	2.9	1.35	4.4	4.3	2.9	3.0	2.0	6.8	0.8	16.55	-	963142-1		

SINGLE WIRE SEAL / Einzelzeichnung	REV.	RANGE Bereich	INSULATION Ø Isolations-Ø [mm]	AWG	mm ²	BODY Kontakt-körper	SPRING Kontakt-feder	BODY Kontakt-körper	SPRING Kontakt-feder	DESIGN WIRE-CRIMP Ausführung Draht-Crimp	DIMENSIONS											Ø3.55 [mm]	Ø3.95 [mm]	BLINDPLUG ORDER NO. B (indisoption Bestell-Nr.)	APPLICATION TOOLS Verarbeitungswerkzeuge		
											A	B	D _{Dr}	C	E	D _{ISO}	F	G	H	J	K						
0-1452665-3	B	0.25-	1.1-	-	0.25						7	2	1.8	1.8	0.8	4.2	4.3	2.6	2.6	2.0	6.4	0.8	16	967067-2	963142-2		
0-1452665-2	B	0.35	1.75	24	-						6	2	1.8	1.8	0.8	4.2	4.3	2.6	2.6	2.0	6.4	0.8	16	967067-2	963142-2		
0-1452665-1	B	0.35	1.75	22	-						5	2	1.8	1.8	0.8	4.2	4.3	2.6	2.6	2.0	6.4	0.8	16	967067-1	963142-2		
0-1452668-3	C	0.5-	1.4-	20	0.5						7	2	2.0	2.1	1.1	4.2	4.3	2.7	2.6	2.0	6.4	0.8	16	967067-1	963142-2		
0-1452668-2	C	0.75	1.9	-	0.75						6	2	2.0	2.1	1.1	4.2	4.3	2.7	2.6	2.0	6.4	0.8	16	967067-1	963142-2		
0-1452668-1	C	0.75	1.9	-	0.75						5	2	2.0	2.1	1.1	4.2	4.3	2.7	2.6	2.0	6.4	0.8	16	967067-1	963142-2		
0-1452671-3	B	1-	1.9-	18	-						7	3	2.6	2.9	1.35	4.4	4.3	2.9	3.0	2.0	6.8	0.8	16.55	967067-1	967067-1		
0-1452671-2	B	1.5	2.4	16	-						6	3	2.6	2.9	1.35	4.4	4.3	2.9	3.0	2.0	6.8	0.8	16.55	-	OPTIONAL		
0-1452671-1	B	1.5	2.4	-	1.5						5	3	2.6	2.9	1.35	4.4	4.3	2.9	3.0	2.0	6.8	0.8	16.55	-	963142-1		

7- VARIANTS FOR NEW APPLICATIONS

NOTES
Bemerkungen

- 4 ONLY FOR FLR-WIRE SEE DIN 72551, PART 6 AND AWG WIRE ACCORDING DC-SPEC: MS-8288 ; MS-7889 ; MS-9532
Nur fuer FLR-Leitung nach DIN 72551, Teil 6 und AWG Leitung nach DC-SPEC: MS-8288 ; MS-7889 ; MS-9532
- 5 PRE TIN SnAg 1.0 TO 3.0µm
Vorverzinkt SnAg 1.0 bis 3.0µm
- 6 SPRING GOLD PLATED MIN. 0.8µm (only contact area)
Kontaktfeder galv. vergoldet min.0.8µm (nur Kontaktzone)
- 7 SPRING SILVER PLATED 2.0 TO 5.0µm (only contact area)
Kontaktfeder galv. versilbert 2.0 bis 5.0µm (nur Kontaktzone)
- 8 BODY PRE TIN Sn 1.0 TO 3.0µm
Kontaktkoerper vorverzinkt Sn 1.0 bis 3.0µm
- 9 REINFORCED WIRE ACCORDING TO LV 112-4
Zugverstaerkte Leitung nach LV 112-4

0- VARIANTS SUPERSEDED BY 7- VARIANTS (SEE TABLE ON TOP) NOT FOR NEW APPLICATIONS

THIS DRAWING IS A CONTROLLED DOCUMENT.		OWN E. Horn 11NOV2011	 TE Connectivity	NAME MCON 1.2 LL (LOCKING-LANCE)	
DIMENSIONS: mm		CHK R. Meier 11NOV2011		SIZE CAGE CODE DRAWING NO. RESTRICTED TO	
TOLERANCES UNLESS OTHERWISE SPECIFIED: ±0.2		APVD V. Seigel 11NOV2011		108-18782 APPLICATION SPEC	
MATERIAL: -		WEIGHT: -		114-18464	
Customer Drawing		SCALE: -		SHEET 2 OF 2	REV: C6

Mouser Electronics

Authorized Distributor

Click to View Pricing, Inventory, Delivery & Lifecycle Information:

[TE Connectivity:](#)

[1452671-3](#) [1452671-2 \(Loose Piece\)](#)