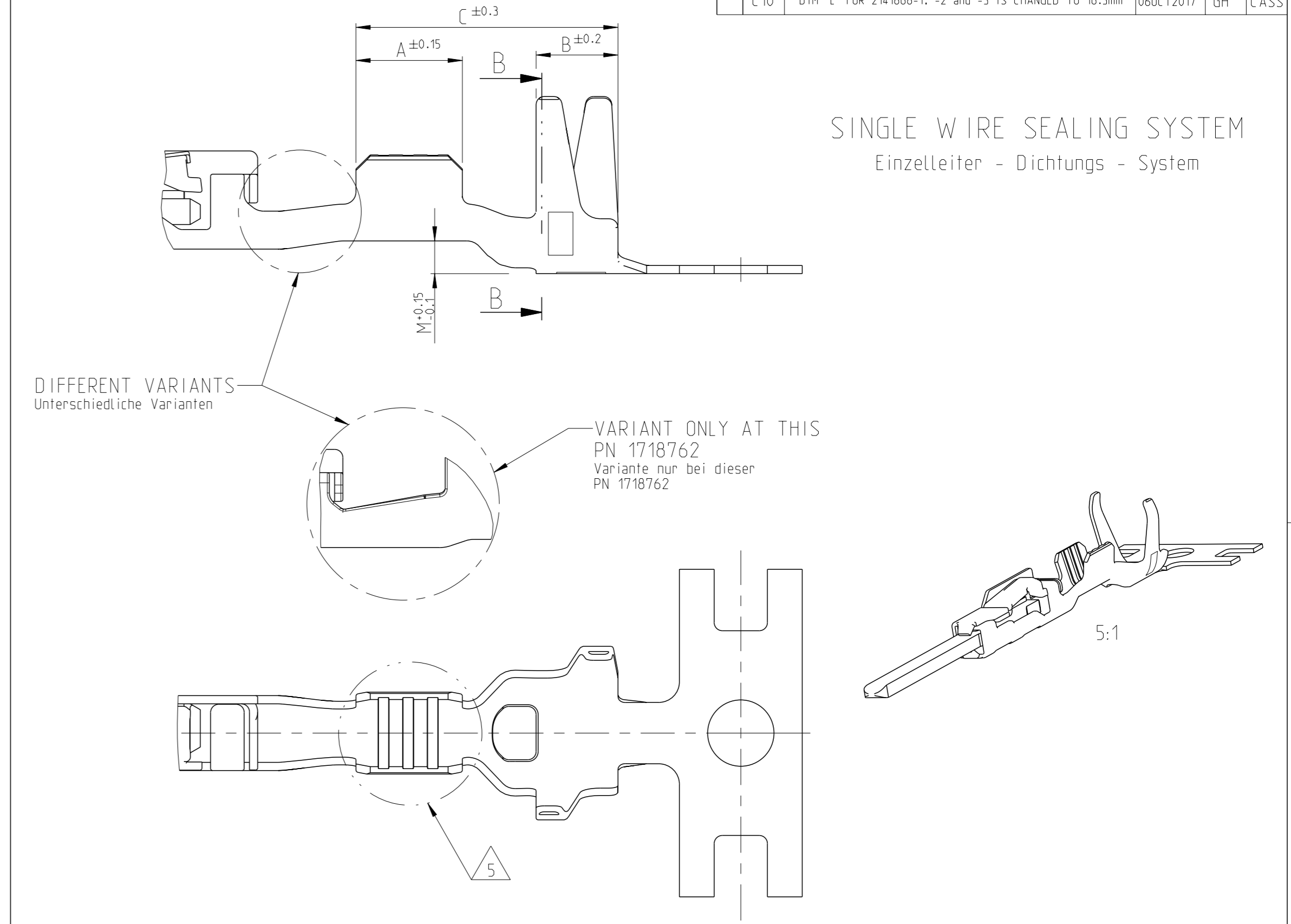
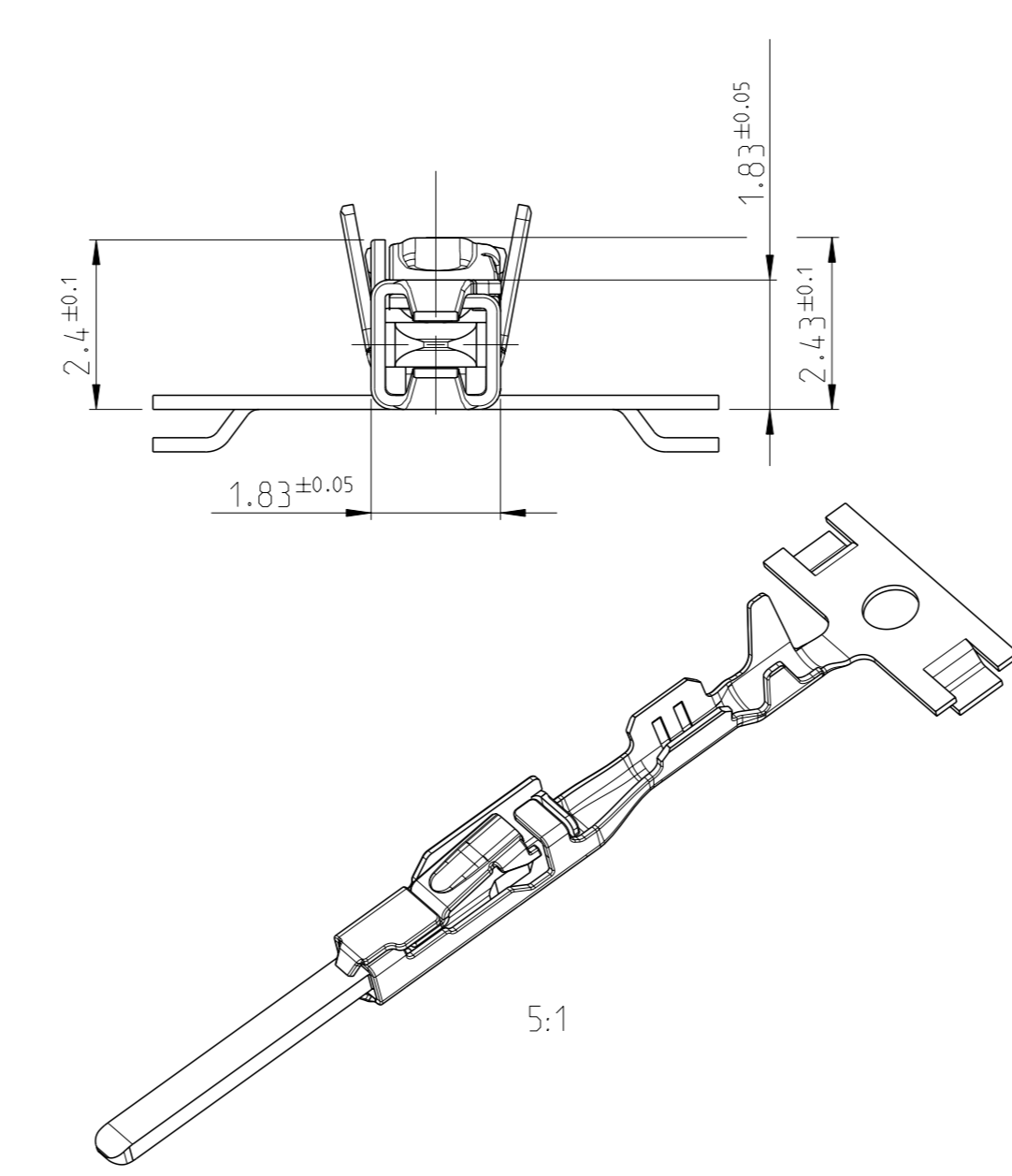
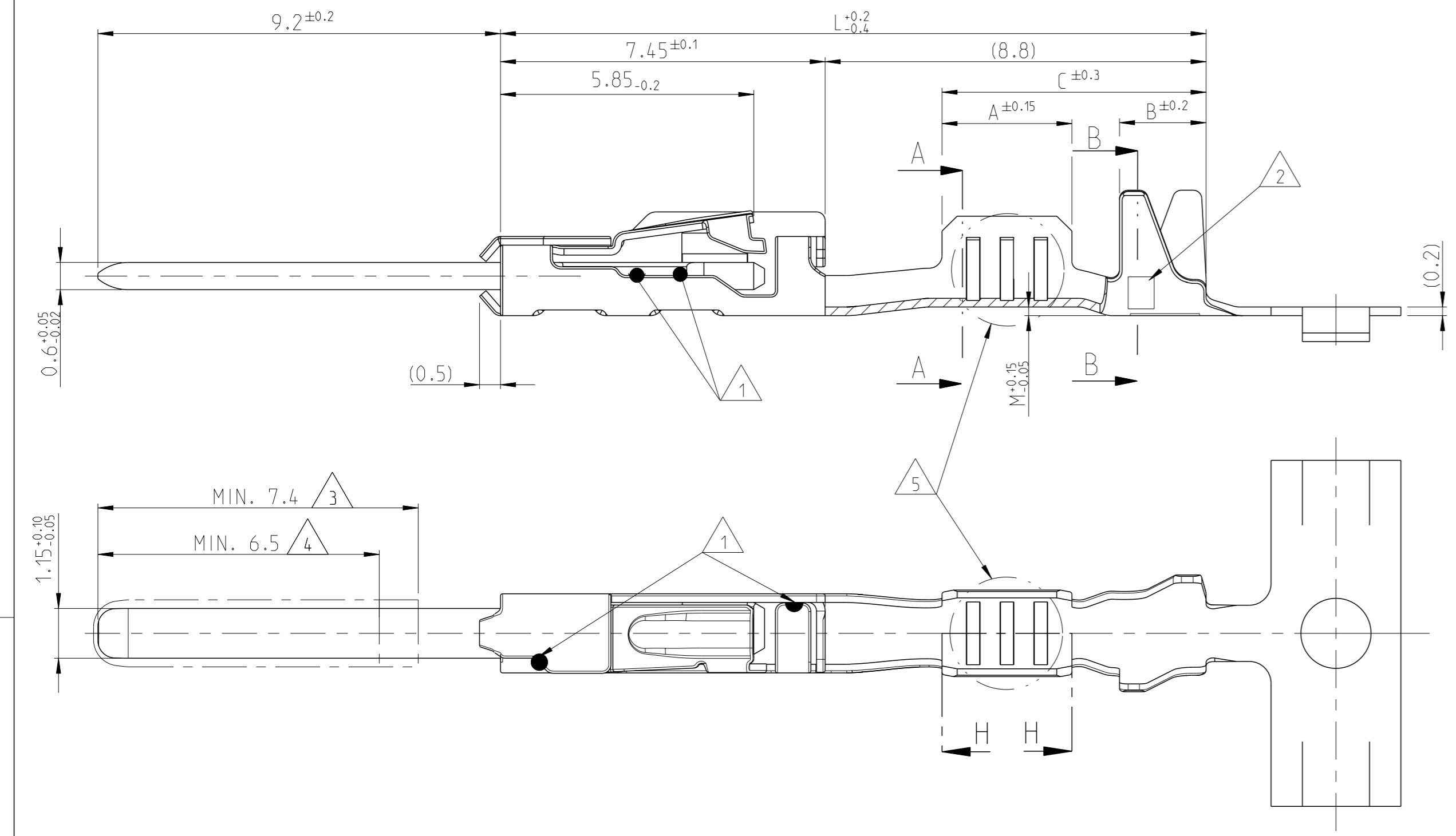


THE DRAWING SHOWS THE 2-DIMENSIONAL REFERENCE COMPONENT CONDITION OF THE ASSEMBLY TO IDENTIFY AND SPECIFY THE NECESSARY DIMENSIONS ONLY. THE DELIVERED PARTS MAY DEVIATE FROM THE DRAWING REGARDING THE ORIENTATION AND POSITION OF EACH COMPONENT (e.g. SLACK CABLE), SO FAR THE FUNCTIONALITY IS NOT CONCERNED.

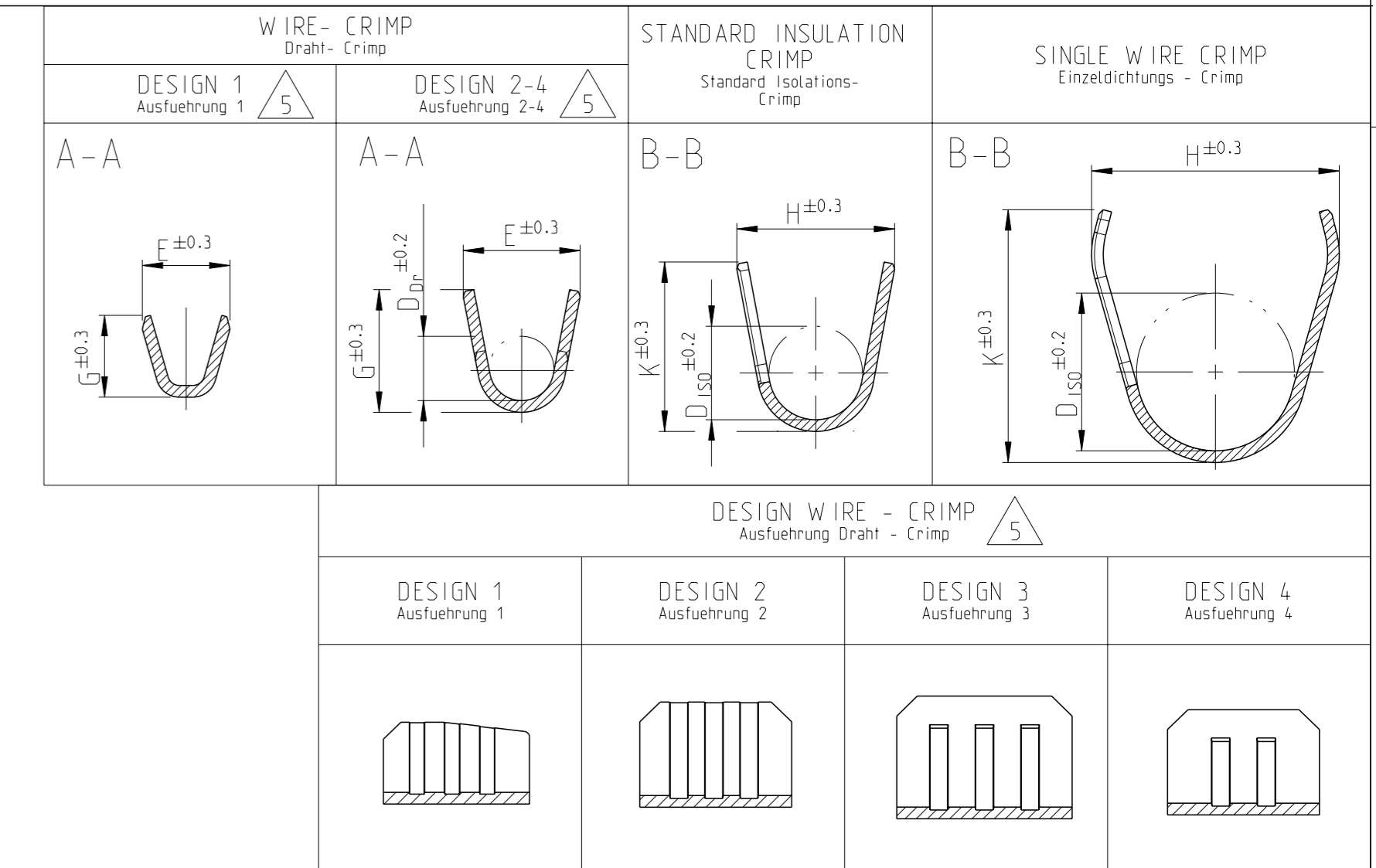
DIE ZEICHNUNG ZEIGT DEN 2-DIMENSIONAL IDEALZUSTAND DES ZUSAMMENBAUTEILS BEZÜGLICH DER KOMPONENTEN ZUR IDENTIFIKATION UND SPEZIFIKATION DER NOTWENDIGEN DIMENSIONEN. HINSICHTLICH DER ORIENTIERUNG UND DER LAGE DER KOMPONENTEN (Z.B. BIEGESCHLAPTES KABEL) KÖNNEN DIE DELIEFERTEN TEILE VON DER ZEICHNUNG ABWEICHEN, SOFERN DIE FUNKTIONALITÄT NICHT BEEINTRÄCHTIGT IST.

LOC		DIST		REVISIONS			
AI	-	F	CTH	DESCRIPTION	DATE	OWN	APVD
PROJECT No.	C7	ECR-13-002334, 2141864 + 2141868	ACTIVATED	06FEB2013	SG	RM	
EGAUT Q2021	C8	NOTE 6 NEW, REV. ADAPT. PN 1718762-1/-2/-3		09JUL2015	Mth	CASS	
	C9	ECR-15-012070		22SEP2015	JBH	BK	
	C10	DIM 'L' FOR 2141868-1, -2 and -3 IS CHANGED TO 16.3mm		06DEC2017	GH	CASS	



INSULATION CRIMP FOR ISOLATIONSPRIFUNG	ORDER NO. Bestell-Nr. STRIP Bandware	REV	WIRE RANGE Drahtgrößenbereich (mm²)	INSULATION ISOLATIONS-Ø (mm)	BODY CONTACTKÖRPER	TAB FLACHSTECKER	BODY CONTACTKÖRPER	SPRING CONTACTLEDER	DESIGN WIRE-CRIMP Ausführung	LENGTH Laenge	WIRE CRIMP Drahtcrimp	INSULATION CRIMP Isolations Crimp	DIMENSION MASS 'L' (mm)	MATERIAL Werkstoff		SURFACE Oberflaeche		
														CuNiSi	CuSn0.15/0.2	TIN PLATED verzinkt	CONTACT AREA TAB	
SINGLE WIRE SEALING SYSTEM / Einzeldichtungssystem SEE APPLICATION SPECIFICATION / siehe Verarbeitungsspezifikation	1718762-3	B	1.0 - 1.5	1.9 - 2.4	CuNiSi	CuSn0.15/0.2	TIN PLATED verzinkt	4	2	A = 3.0 B = 2.0 C = 6.8	E = 2.6 G = 2.9 D _{br} = 1.35	H = 4.4 K = 4.3 D ₁₅₀ = 2.9 M = 0.8	16.8	4	3	TIN PLATED verzinkt	CONTACT AREA TAB MIN. 0.8µm SELECTIV GOLD OVER Ni	
	1718762-2	C																
	1718762-1	B																
	FLR CABLE / Leitung SEE APPLICATION SPECIFICATION / siehe Verarbeitungsspezifikation	1718760-3	A	0.5 - 0.75	1.4 - 1.9	CuNiSi	CuSn0.15/0.2	TIN PLATED verzinkt	4	2	A = 2.6 B = 2.0 C = 6.4	E = 2.0 G = 2.1 D _{br} = 1.1	H = 4.2 K = 4.3 D ₁₅₀ = 2.7 M = 0.8	16.3	4	3	TIN PLATED verzinkt	CONTACT AREA TAB MIN. 2.0µm SELECTIV SILVER
		1718760-2	B															
		1718760-1	A															
		1718758-3	A	0.25 - 0.35	1.1 - 1.75	CuNiSi	CuSn0.15/0.2	TIN PLATED verzinkt	4	2	A = 2.6 B = 2.0 C = 6.4	E = 1.8 G = 1.8 D _{br} = 0.8	H = 4.2 K = 4.3 D ₁₅₀ = 2.6 M = 0.8	16.3	4	3	TIN PLATED verzinkt	CONTACT AREA TAB MIN. 0.8µm SELECTIV GOLD OVER Ni
		1718758-2	B															
		1718758-1	A															
	2141868-3	A	0.13 - 0.22	2.6	CuNiSi	CuSn0.15/0.2	TIN PLATED verzinkt	4	1	A = 2.5 B = 1.9 C = 6.2	E = 1.5 G = 1.4	H = 4.0 K = 4.1 D ₁₅₀ = 2.6 M = 0.6	16.3	4	3	TIN PLATED verzinkt	CONTACT AREA TAB MIN. 2.0µm SELECTIV SILVER	
	2141868-2	A																
	2141868-1	A																
INSULATION CRIMP FOR ISOLATIONSPRIFUNG	1418762-3	A	1.0 - 1.5	1.9 - 2.4	CuNiSi	CuSn0.15/0.2	TIN PLATED verzinkt	4	3	A = 3.0 B = 2.0 C = 6.1	E = 2.6 G = 2.9 D _{br} = 1.35	H = 3.7 K = 3.9 D ₁₅₀ = 2.1 M = 0.2	16.3	4	3	TIN PLATED verzinkt	CONTACT AREA TAB MIN. 0.8µm SELECTIV GOLD OVER Ni	
	1418762-2	B																
	1418762-1	A																
	5-1418760-3	A	0.5 - 0.75	1.4 - 1.9	CuNiSi	CuSn0.15/0.2	TIN PLATED verzinkt	4	2	A = 3.0 B = 2.0 C = 6.1	E = 2.0 G = 2.1 D _{br} = 1.1	H = 2.7 K = 2.9 D ₁₅₀ = 1.6 M = 0.2	16.3	4	3	TIN PLATED verzinkt	CONTACT AREA TAB MIN. 0.8µm SELECTIV GOLD OVER Ni	
	5-1418760-2	A																
	5-1418760-1	A																
	1418760-3	B	0.5 - 0.75	1.4 - 1.9	CuNiSi	CuSn0.15/0.2	TIN PLATED verzinkt	4	3	A = 3.0 B = 2.0 C = 6.1	E = 2.0 G = 2.1 D _{br} = 1.1	H = 2.7 K = 2.9 D ₁₅₀ = 1.6 M = 0.2	16.3	4	3	TIN PLATED verzinkt	CONTACT AREA TAB MIN. 0.8µm SELECTIV GOLD OVER Ni	
	1418760-2	C																
	1418760-1	B																
	5-1418758-3	A	0.25 - 0.35	1.1 - 1.75	CuNiSi	CuSn0.15/0.2	TIN PLATED verzinkt	4	2	A = 2.6 B = 2.0 C = 5.7	E = 1.8 G = 1.8 D _{br} = 0.8	H = 2.6 K = 2.6 D ₁₅₀ = 1.4 M = 0.2	16.3	4	3	TIN PLATED verzinkt	CONTACT AREA TAB MIN. 2.0µm SELECTIV SILVER	
	5-1418758-2	B																
	5-1418758-1	A																
1418758-3	A	0.25 - 0.35	1.1 - 1.75	CuNiSi	CuSn0.15/0.2	TIN PLATED verzinkt	4	4	A = 2.6 B = 2.0 C = 5.7	E = 1.8 G = 1.8 D _{br} = 0.8	H = 2.6 K = 2.6 D ₁₅₀ = 1.4 M = 0.2	16.3	4	3	TIN PLATED verzinkt	CONTACT AREA TAB MIN. 2.0µm SELECTIV SILVER		
1418758-2	B																	
1418758-1	A																	
2141864-3	A	0.13 - 0.22	0.85 - 1.2	CuNiSi	CuSn0.15/0.2	TIN PLATED verzinkt	4	1	A = 2.5 B = 1.7 C = 5.4	E = 1.5 G = 1.4	H = 2.0 K = 1.9 D ₁₅₀ = 1.1	15.3	4	3	TIN PLATED verzinkt	CONTACT AREA TAB MIN. 2.0µm SELECTIV SILVER		
2141864-2	A																	
2141864-1	A																	

C10



- 1 LASER WELDED Lasergeschweisst
- 2 REVISION STATUS Revisionsstand
- 3 CONTACT AREA TAB MIN. 0.8µm SELECTIV GOLD OVER Ni Kontaktzone selectiv vergoldet min. 0.8µm ueber Ni
- 4 CONTACT AREA TAB MIN. 2.0µm SELECTIV SILVER Kontaktzone selectiv versilbert min. 2.0µm
- 5 DIFFERENT FORM OF THE SERRATIONS AND WIRE-CRIMP POSSIBLE unterschiedliche Ausfuehrung der Ritzen und des Draht-Crimps moeglich
- 6 RELEASED WIRE, SEE APPLICATION SPEC. TE 114-18464 Freigegebene Leitung, siehe

PRODUCT CHARACTERISTICS ACC. QMP 1.12 BESONDERE MERKMALE NACH QMP 1.12	TOLERANCING ISO 8015 TOLERIERUNG ISO 8015
THIS DRAWING IS A CONTROLLED DOCUMENT. DIESER ZEICHNUNGSDRUCK IST EIN KONTROLLIERTES DOKUMENT.	OWN R. Meier 10MAR03 CHK U. Muenk 30JUL03
DIMENSIONS: mm	APVD - NAME
TOLERANCES UNLESS OTHERWISE SPECIFIED: PLC ± 0.2mm PLC ± 0.2mm PLC ± 0.2mm ANGLES ± °	PRODUCT SPEC 108-18782 APPLICATION SPEC 114-18464
MATERIAL SEE TABLE siehe Tabelle	WEIGHT - Customer Drawing
<p>PRODUCT GROUP DRAWING FOR TAB CONTACT 1.2 MM Produktgruppenzeichnung Flachstecker 1.2mm</p> <p>SIZE A1 CAGE CODE DRAWING NO. 00779 C= 1418754 RESTRICTED TO</p> <p>SCALE 10:1 SHEET 1 OF 1 REV C10</p>	

Mouser Electronics

Authorized Distributor

Click to View Pricing, Inventory, Delivery & Lifecycle Information:

[TE Connectivity:](#)

[1418760-3](#) [1418760-3 \(Cut Strip\)](#)