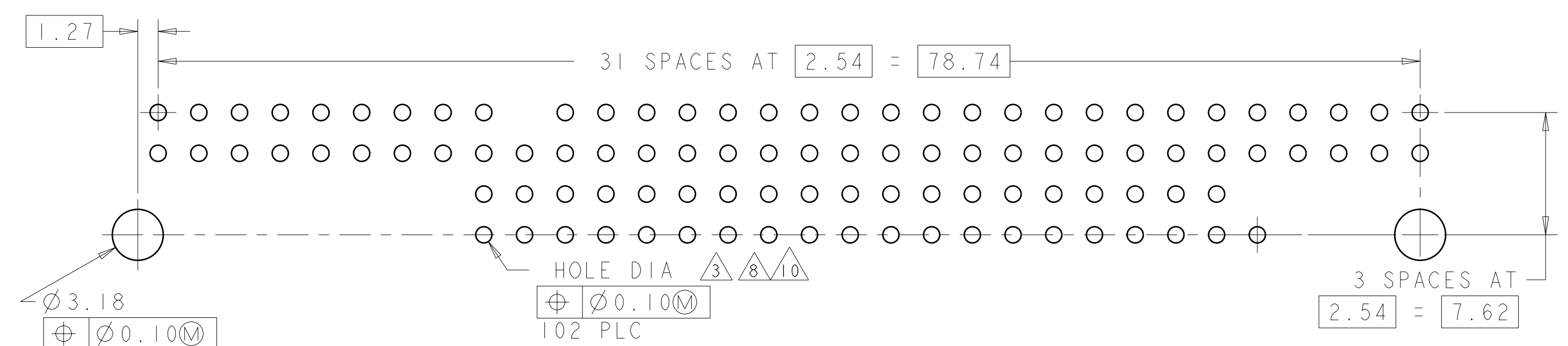
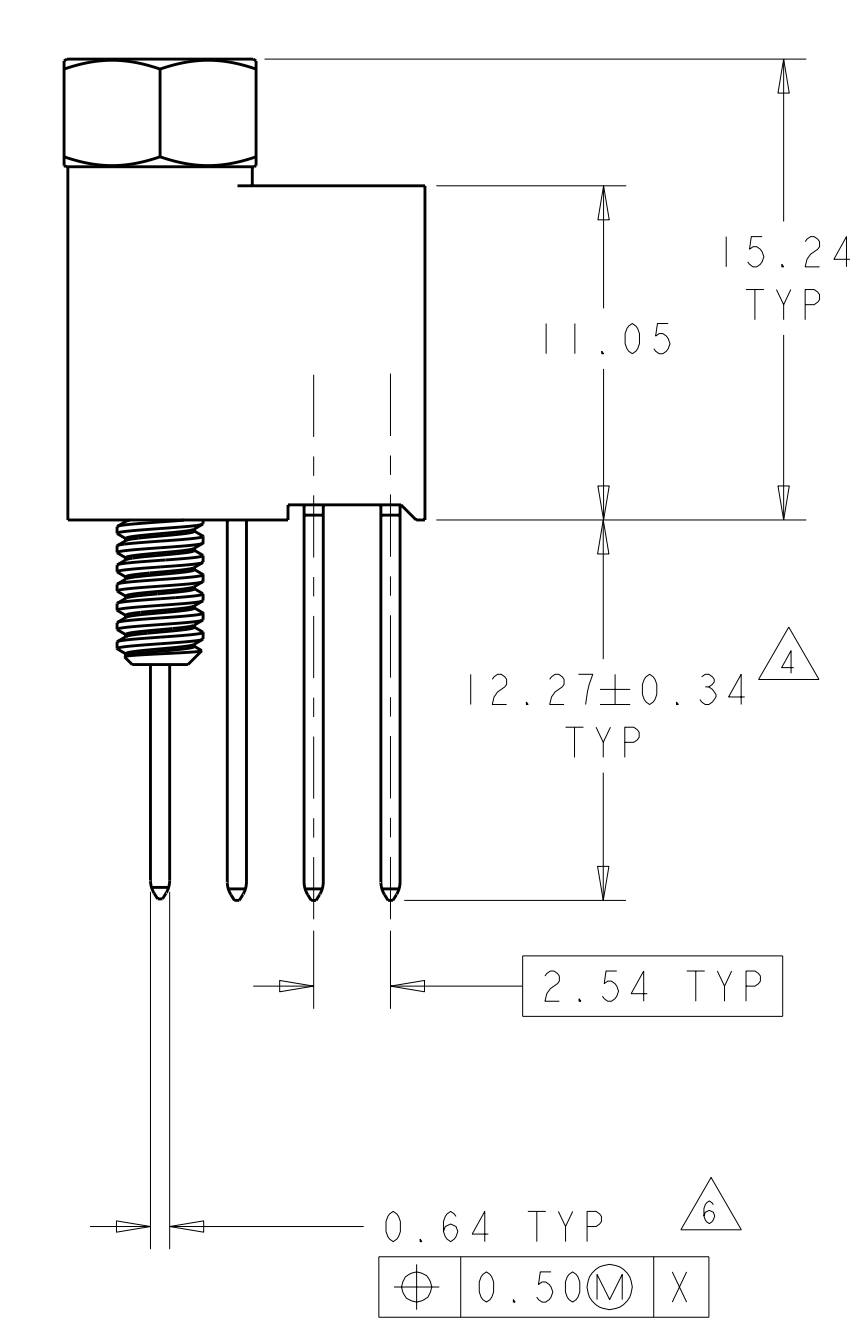
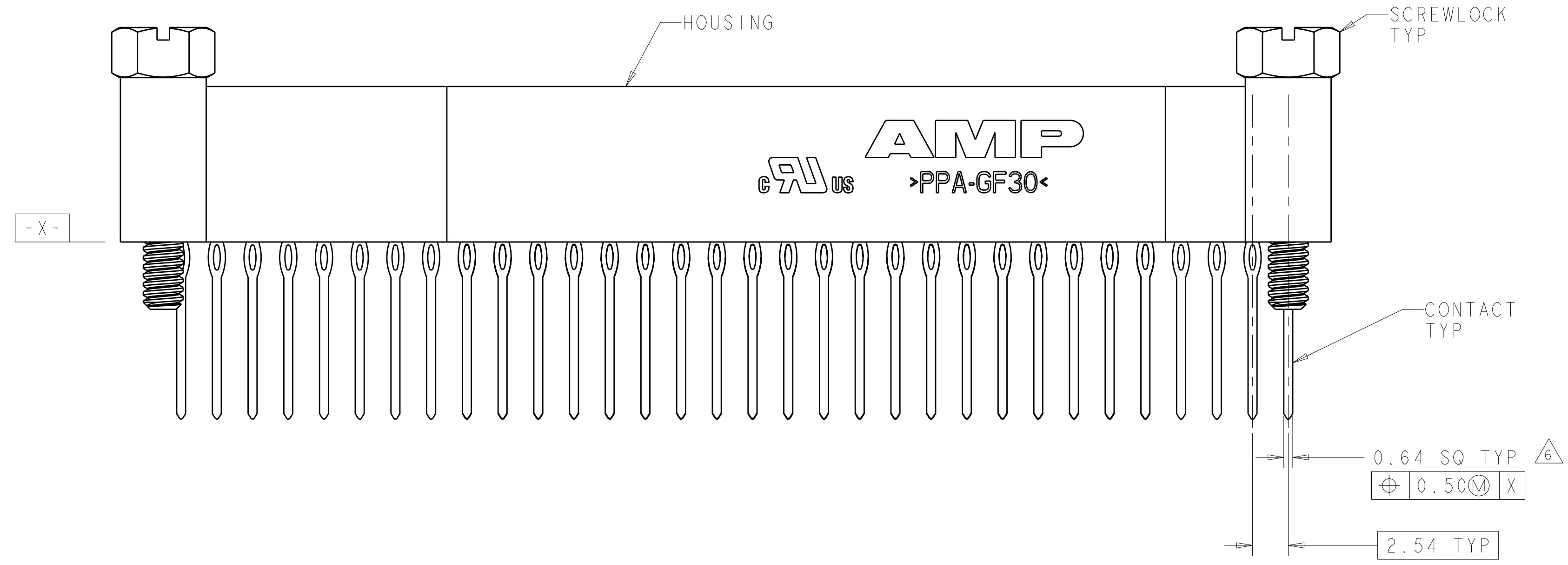
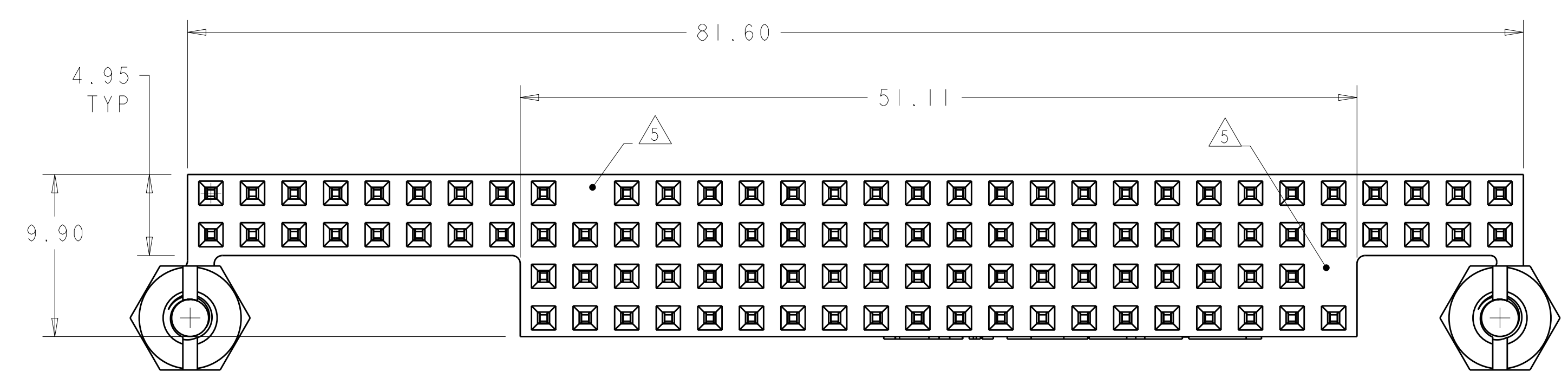
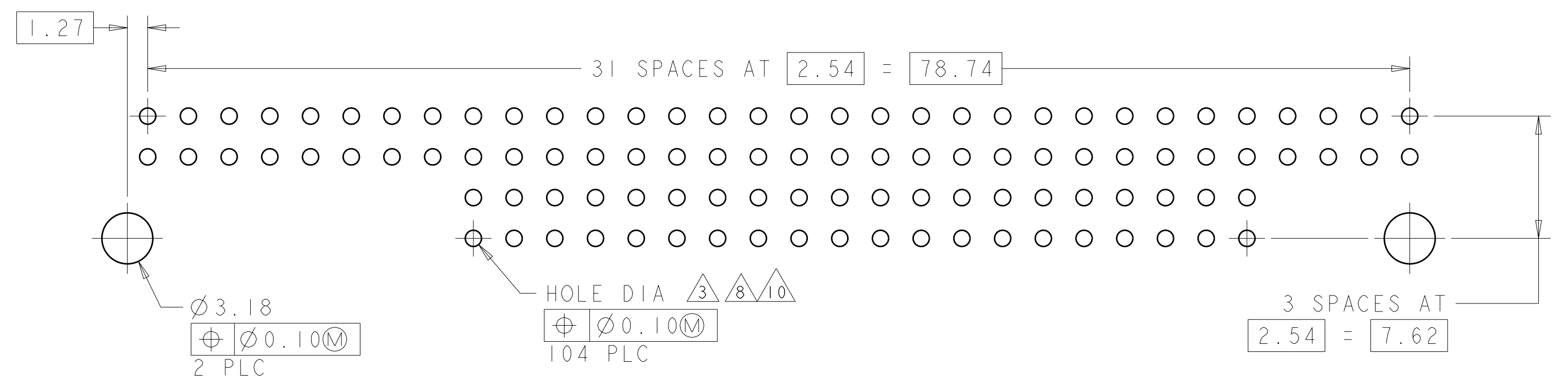


| LOC | DIST | REV | DESCRIPTION | DATE | OWN | APVD |
|-----|------|-----|---------------------------|-----------|-----|------|
| AD | 00 | F1 | REVISED PER ECO-11-005027 | 24MAR2011 | RK | HMR |



RECOMMENDED PCB LAYOUT FOR 1375793-1 & -3



RECOMMENDED PCB LAYOUT FOR 1375793-2 & -4

- △ HOUSING: HIGH TEMPERATURE, GLASS FILLED NYLON, COLOR: BLACK. CONTACTS: PHOSPHOR BRONZE. SCREWLOCKS: STEEL.
- △ CONTACTS: 0.00038 MIN GOLD ON MATING RECEPTACLE END, 0.00013 MIN GOLD ON REMAINDER, ALL OVER 0.00127 NICKEL. SCREWLOCKS: CLEAR CHROMATE OVER ZINC.
- △ PCB HOLE RECOMMENDATIONS: A. DRILL HOLE DIAMETER TO BE 1.15±0.02. B. PLATING TO BE 0.005 MIN TIN-LEAD OVER 0.025-0.075 COPPER. C. RECOMMENDED FINISH HOLE SIZE IS 1.03±0.08
- △ DIMENSION AFTER SEATING TO PCB.
- △ NO CONTACT IN THIS POSITION, FOR PART NUMBER 1375793-1 & -3, ONLY
- △ POSITION TOLERANCE APPLIES AFTER CONNECTOR IS PRESSED ONTO PC BOARD.
- △ CONTACTS: 0.00038 MIN GOLD ON MATING RECEPTACLE END, 0.00254-0.00508 MATTE TIN ON REMAINDER, ALL OVER 0.00127 NICKEL. SCREWLOCKS: CLEAR CHROMATE OVER ZINC.
- △ PCB HOLE RECOMMENDATIONS FOR SILVER IMMERSION PLATING: A. DRILL HOLE DIAMETER TO BE 1.20±0.02. B. PLATING TO BE 0.0001524-0.0004064 SILVER OVER 0.0508±0.0254 COPPER. C. RECOMMENDED FINISH HOLE SIZE IS 1.10-1.19.
- △ TO BE USED ON SILVER IMMERSION PLATED PCB'S (NOTE 8).
- △ PCB HOLE RECOMMENDATIONS FOR ENIG PLATING: A. DRILL HOLE DIAMETER TO BE 1.20±0.02. B. PLATING TO BE 0.000051-0.000127 GOLD OVER 0.00305-0.00610 NICKEL ALL OVER 0.0508±0.0254 COPPER. C. RECOMMENDED FINISH HOLE SIZE IS 1.10-1.19.
- △ TO BE USED ON STANDARD PCB (NOTE 3) OR ENIG PLATED PCB (NOTE 10).

| FINISH | KEYED CIRCUITS | PART NO |
|--------|----------------|-----------|
| NO | NO | 1375793-4 |
| YES | YES | 1375793-3 |
| NO | NO | 1375793-2 |
| YES | YES | 1375793-1 |

THIS DRAWING IS A CONTROLLED DOCUMENT.

| | | | |
|--|--|--|--|
| DIMENSIONS: mm TOLERANCES UNLESS OTHERWISE SPECIFIED: 9 PLC ± 3 PLC ±0.13 5 PLC ± 4 PLC ± ANGLES ± FINISH 1/2 | DWG: M.G. LENKER 02JUN2000 CHK: L. BREKOSKY 15JAN2001 APVD: J. OLSON 13JUN2001 NAME: ASSEMBLY, PC/104, STACKTHROUGH CONTACTS, 2 STANDOFFS PRESS FIT PRODUCT SPEC: 108-1956 APPLICATION SPEC: 114-13021 WEIGHT: - CUSTOMER DRAWING | DWN: M.G. LENKER 02JUN2000 CHK: L. BREKOSKY 15JAN2001 APVD: J. OLSON 13JUN2001 NAME: ASSEMBLY, PC/104, STACKTHROUGH CONTACTS, 2 STANDOFFS PRESS FIT PRODUCT SPEC: 108-1956 APPLICATION SPEC: 114-13021 WEIGHT: - CUSTOMER DRAWING | SCALE: 4:1 SHEET: 1 OF 1 REV: F1 |
|--|--|--|--|

Mouser Electronics

Authorized Distributor

Click to View Pricing, Inventory, Delivery & Lifecycle Information:

[TE Connectivity:](#)

[1375793-2](#)