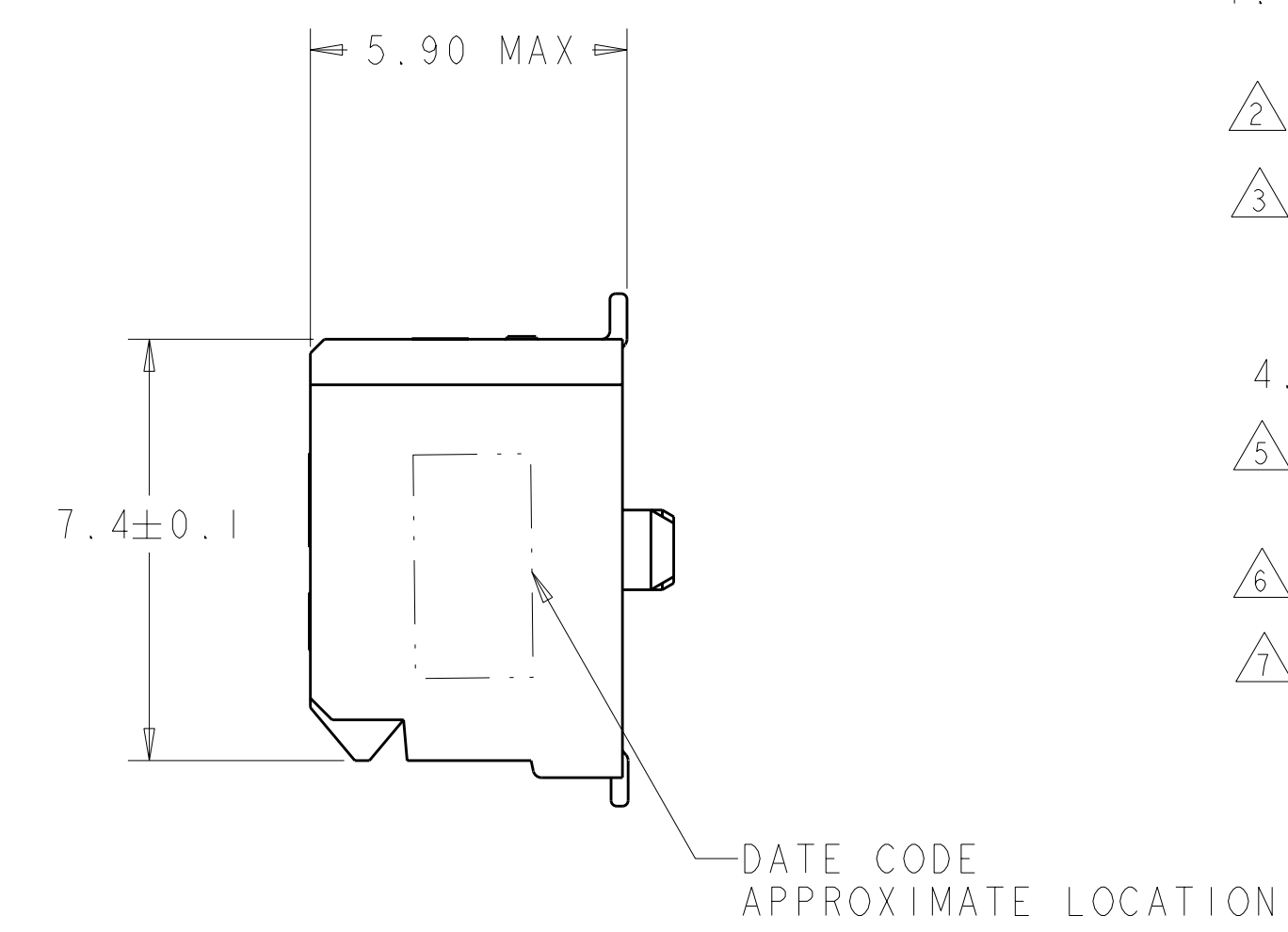
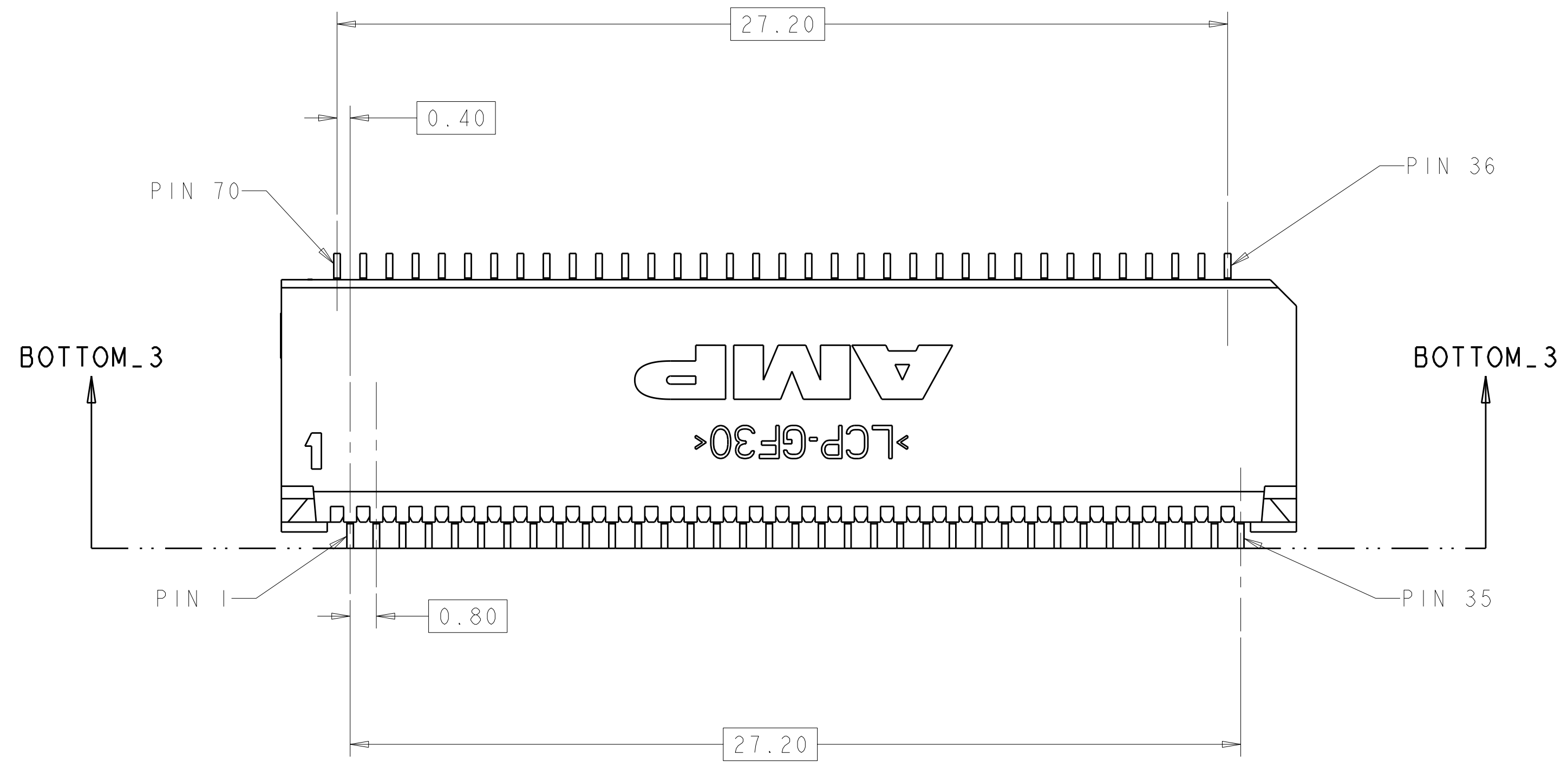
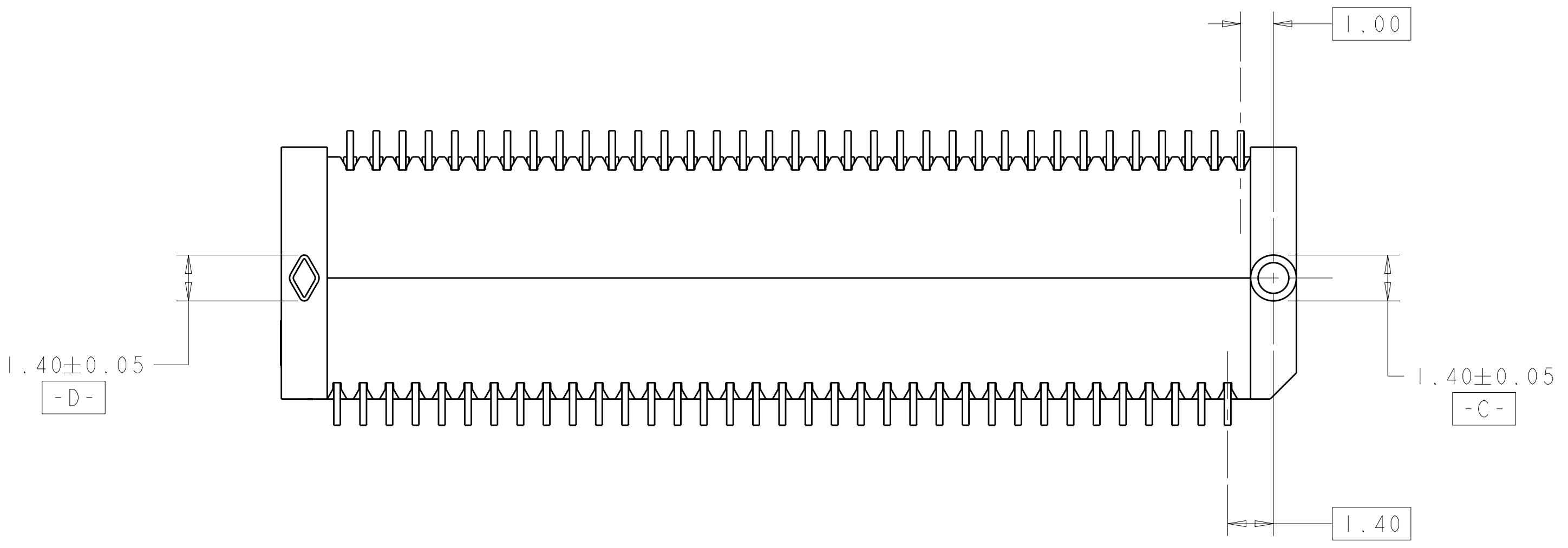
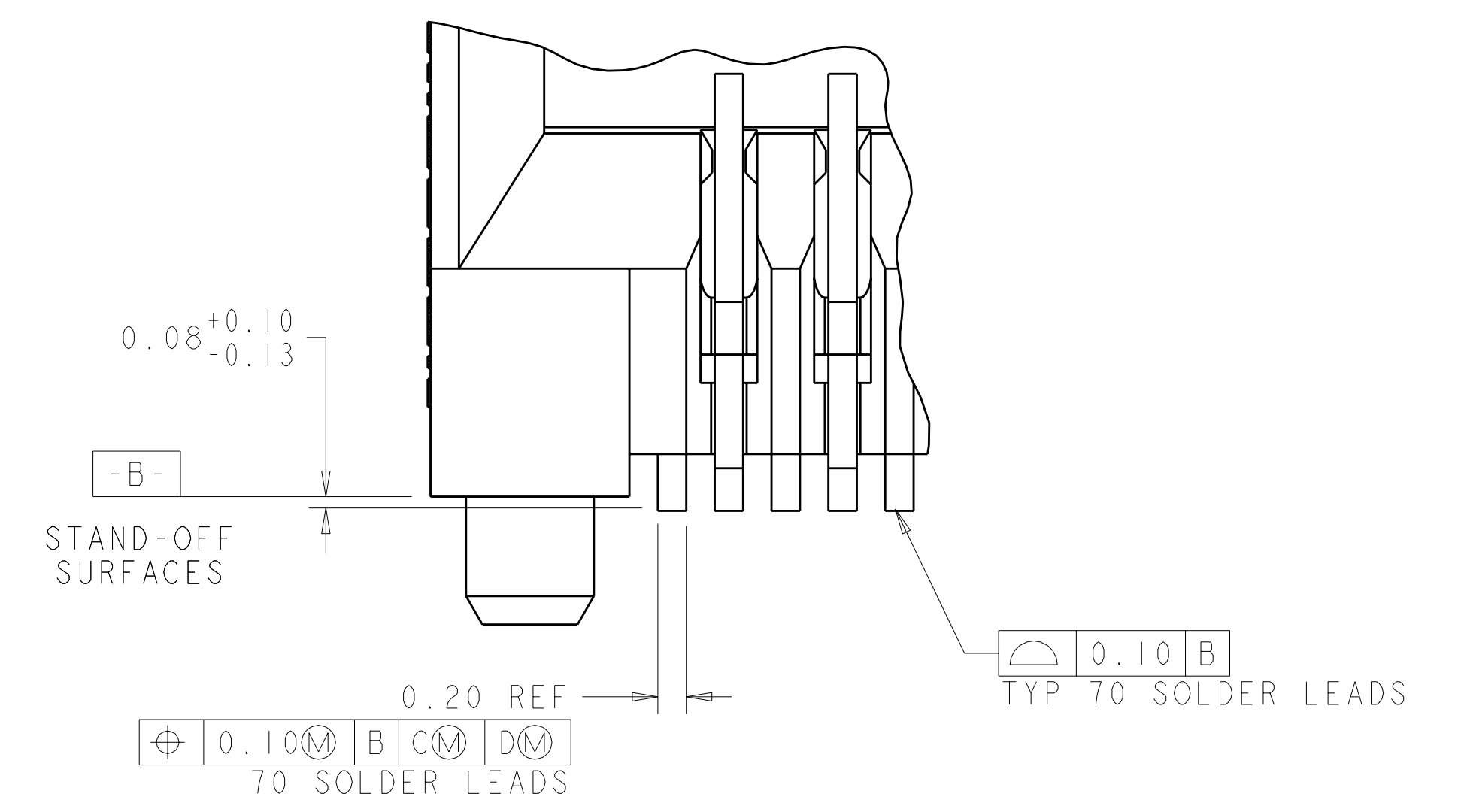
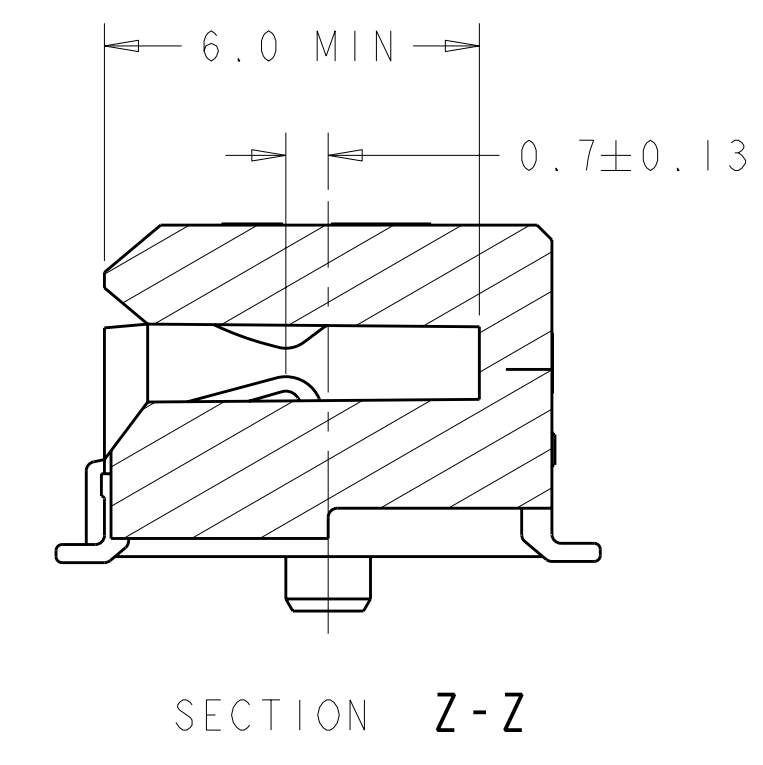
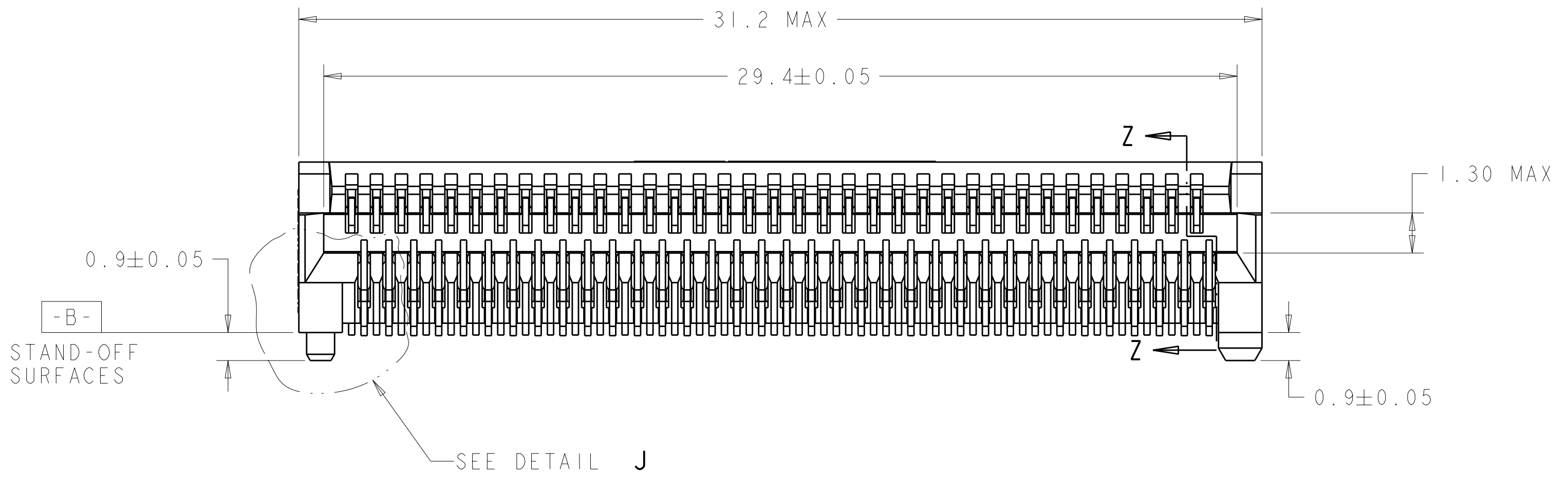
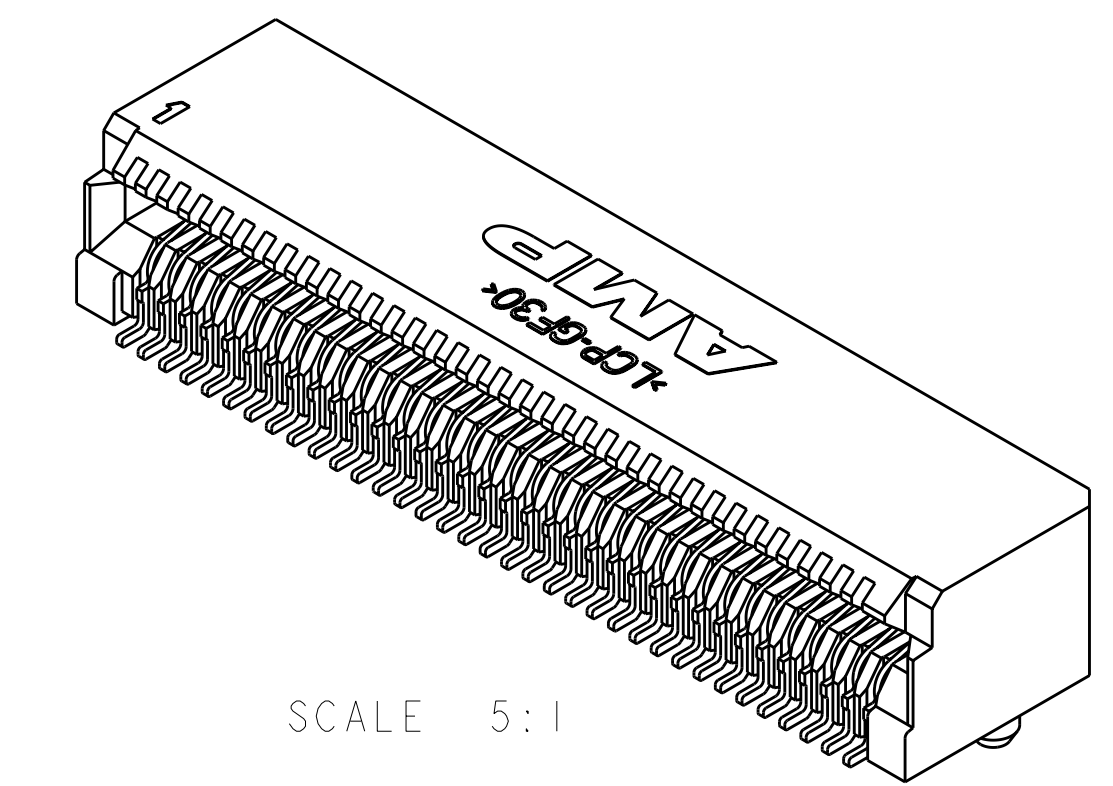


LOC	DIST	REV	DATE	BY	APPD
ES	00				
H3		ECR-11-001732	25JAN2011	KS	MO, W
H4		REVISED PER ECR-11-009789	11MAY2011	KS	MO, W



- PART COMPATABLE XENPAK & X2 MSA. REFER TO THESE MSA'S FOR DIMENSIONS NOT SHOWN ON THIS PRINT.
- HOUSING: HIGH TEMPERATURE LCP, UL 94V-0 RATED, BLACK.
- CONTACTS: 0.00038 MIN GOLD IN CONTACT AREA, 0.00013 MIN GOLD ON SOLDER AREA, OVER 0.0038 MIN NICKEL UNDERPLATE ON ENTIRE CONTACT.
- PACKAGED 480 PIECES PER REEL.
- GROUND, POWER AND SIGNAL PAD ARRANGEMENT TO BE DETERMINED BY CUSTOMER.
- DATUMS AND BASIC DIMENSIONS ESTABLISHED BY CUSTOMER.
- CONTACTS: 0.00076 MIN GOLD IN CONTACT AREA, 0.00013 MIN GOLD ON SOLDER AREA, OVER 0.0038 MIN NICKEL UNDERPLATE ON ENTIRE CONTACT.



DATE CODE	FINISH	PART NUMBER
YES	△1	1367337-4
YES	△3	1367337-3
NO	△7	1367337-2
NO	△3	1367337-1

THIS DRAWING IS A CONTROLLED DOCUMENT.

AWN: D. BROCKWAY 12FEB01
 CHK: J. KOPPENHEFFER 08JUN01
 APVD: S. GOOD 08JUN01

TE Connectivity
PT CONNECTOR ASSEMBLY, 70 POSITION, RTANG, 0.8MM

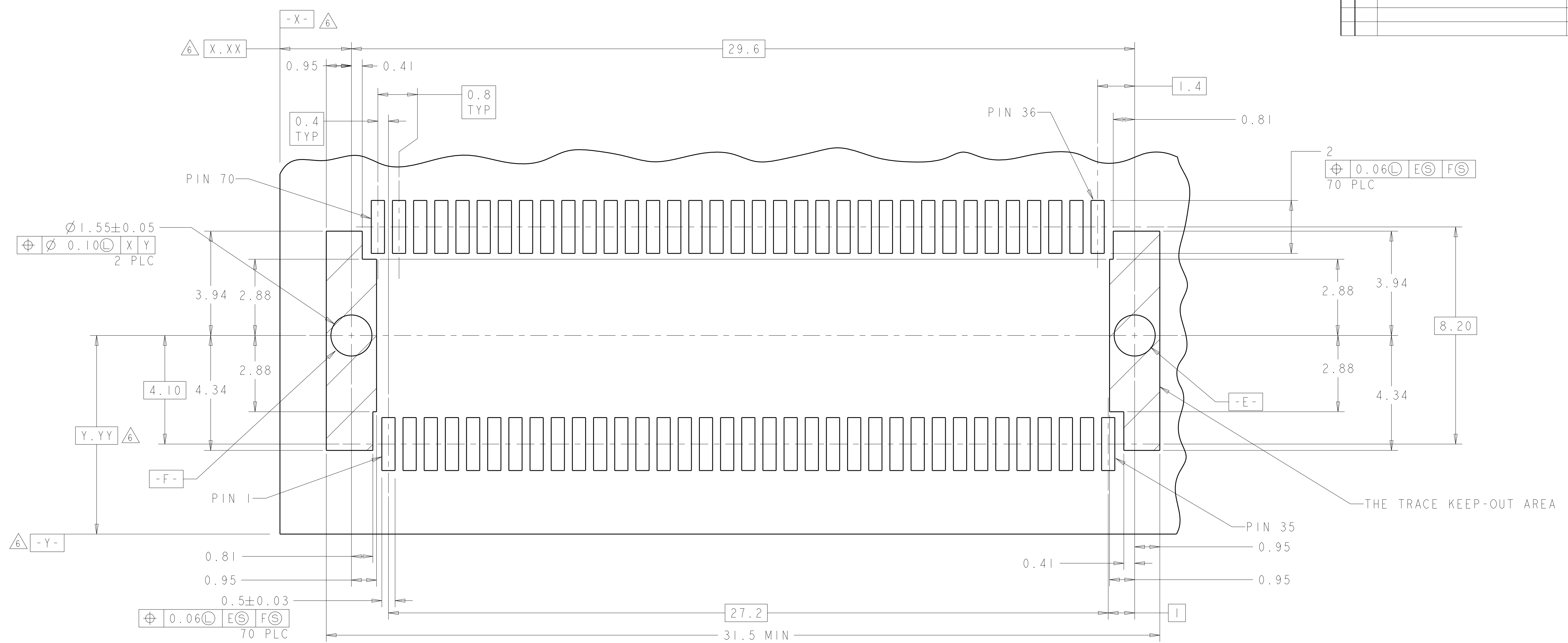
PRODUCT SPEC: 108-1949
 APPLICATION SPEC: 114-13017

SIZE: A100779 CAGE CODE: 1367337
 DRAWING NO: 1367337

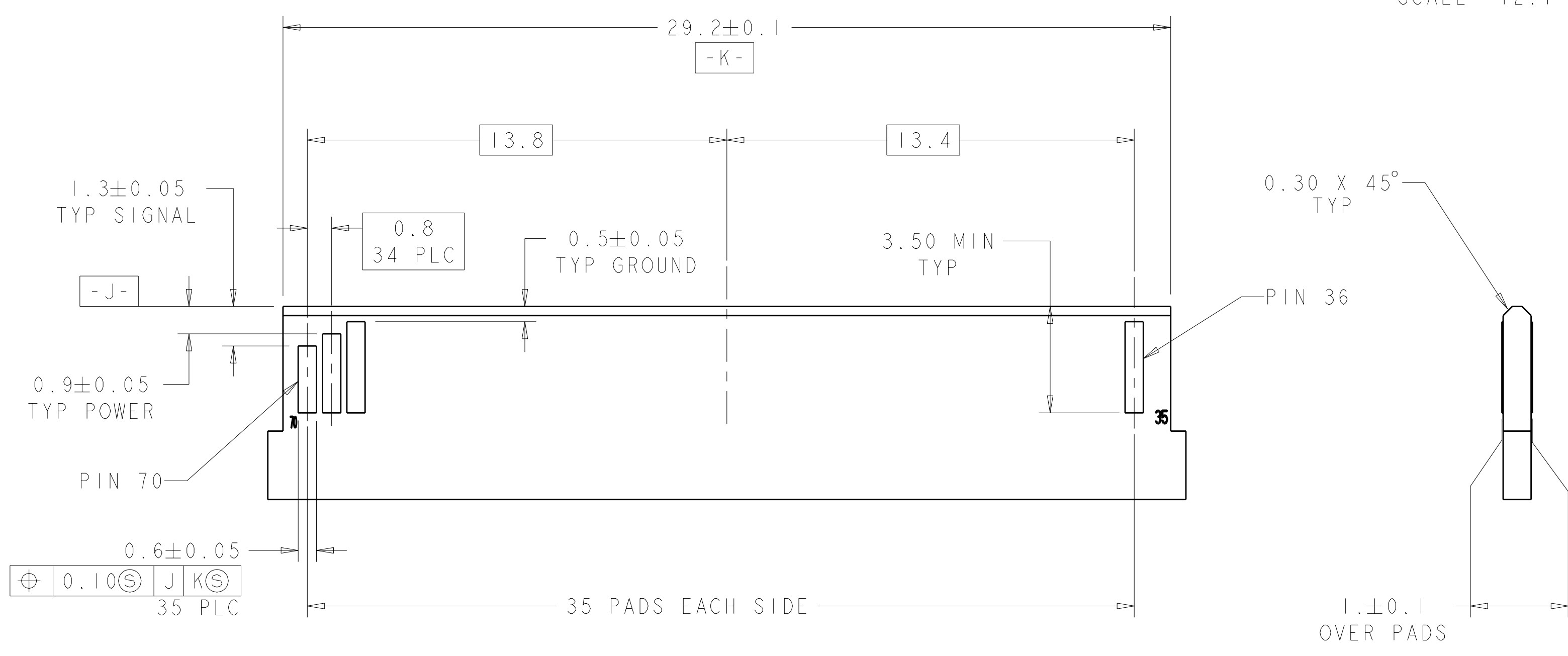
RESTRICTED TO: CUSTOMER DRAWING
 SCALE: 8:1 SHEET: 1 OF 2 REV: H4

LOC	DIST	REV	DATE	BY	APPROV
ES	00				

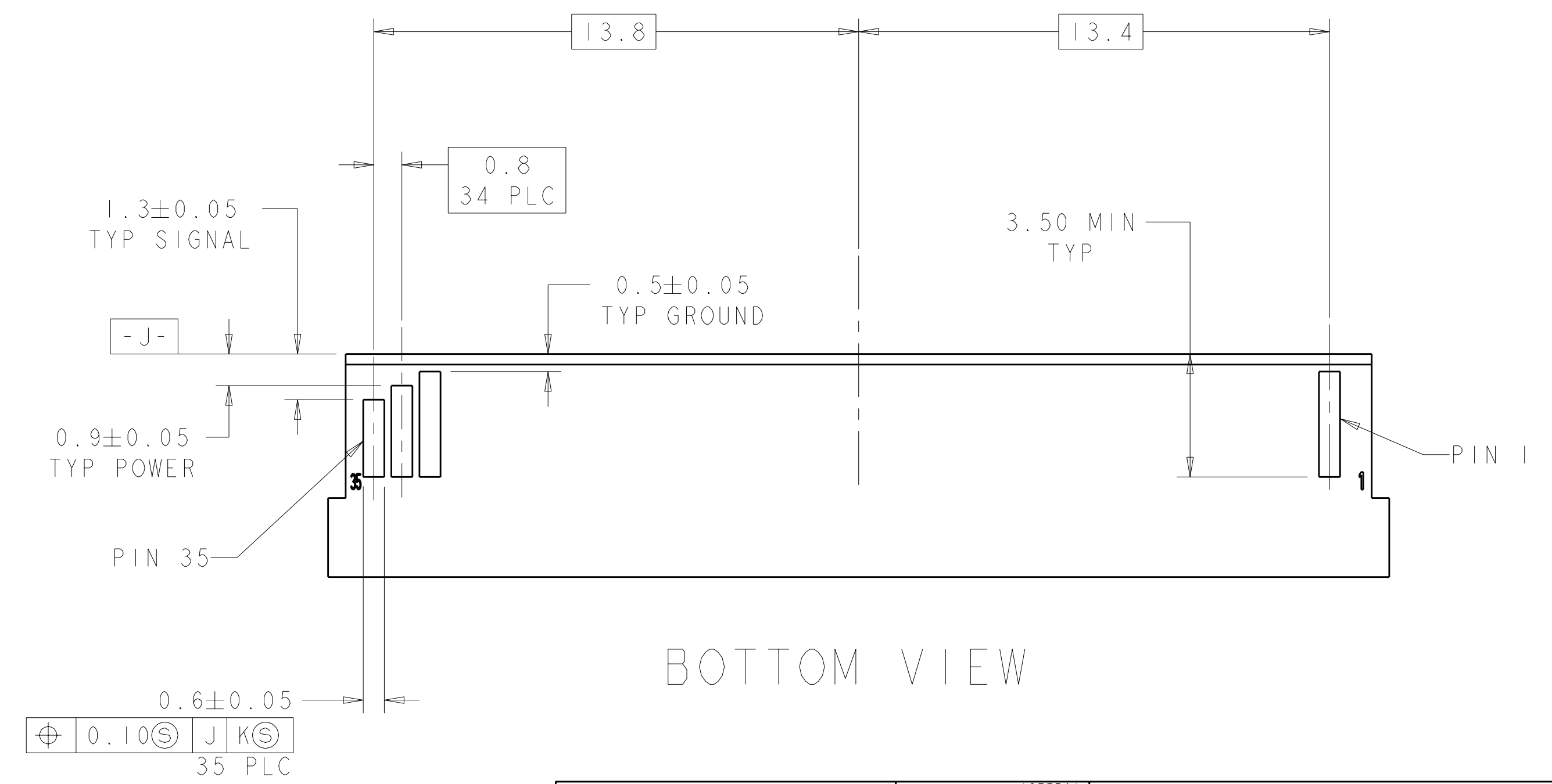
REVISIONS		DATE	BY	APPROV
1	SEE SHEET 1			



RECOMMENDED PCB LAYOUT DETAIL
 CONNECTOR MOUNTING SIDE
 SCALE 12:1



TOP VIEW



BOTTOM VIEW

RECOMMENDED LAYOUT DETAIL
 MATING PCB

THIS DRAWING IS A CONTROLLED DOCUMENT.		DWN: D. BROCKWAY 12FEB01		REV: 08JUN01	
DIMENSIONS:		TOLERANCES UNLESS OTHERWISE SPECIFIED:		MATERIAL:	
mm	9 PLC ±	3 PLC ±0.10	5 PLC ±	4 PLC ±	ANGLES ±
	SEE TABLE	FINISH:		MATERIAL:	
		CUSTOMER DRAWING		SCALE 8:1 SHEET 2 OF 2 REV H4	

NAME	PT CONNECTOR ASSEMBLY, 70 POSITION, RTANG, 0.8MM
PRODUCT SPEC	108-1949
APPLICATION SPEC	114-13017
SIZE	A100779
CAGE CODE	C=1367337
DRAWING NO	
RESTRICTED TO	

Mouser Electronics

Authorized Distributor

Click to View Pricing, Inventory, Delivery & Lifecycle Information:

[TE Connectivity:](#)

[1367337-2](#)