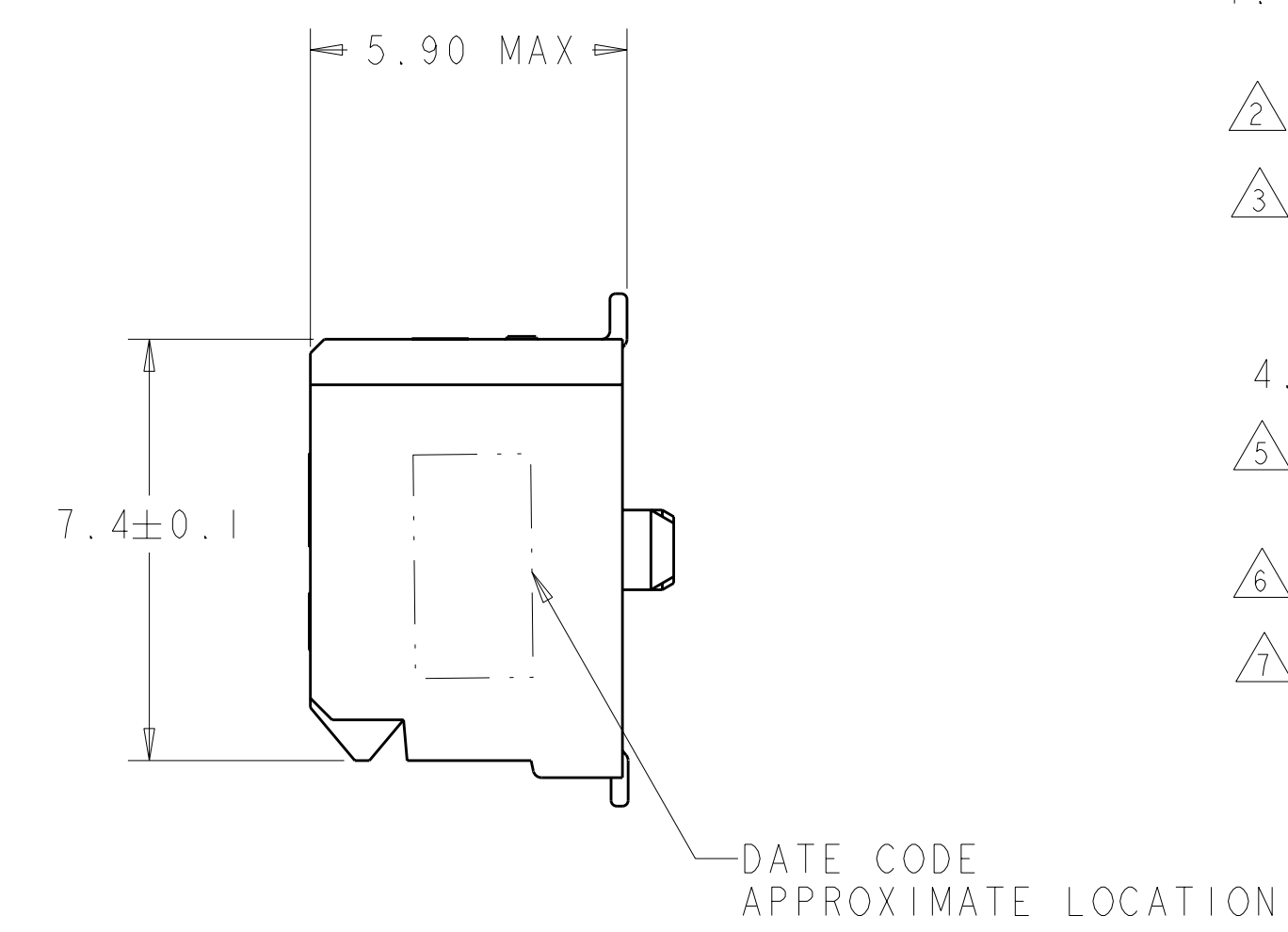
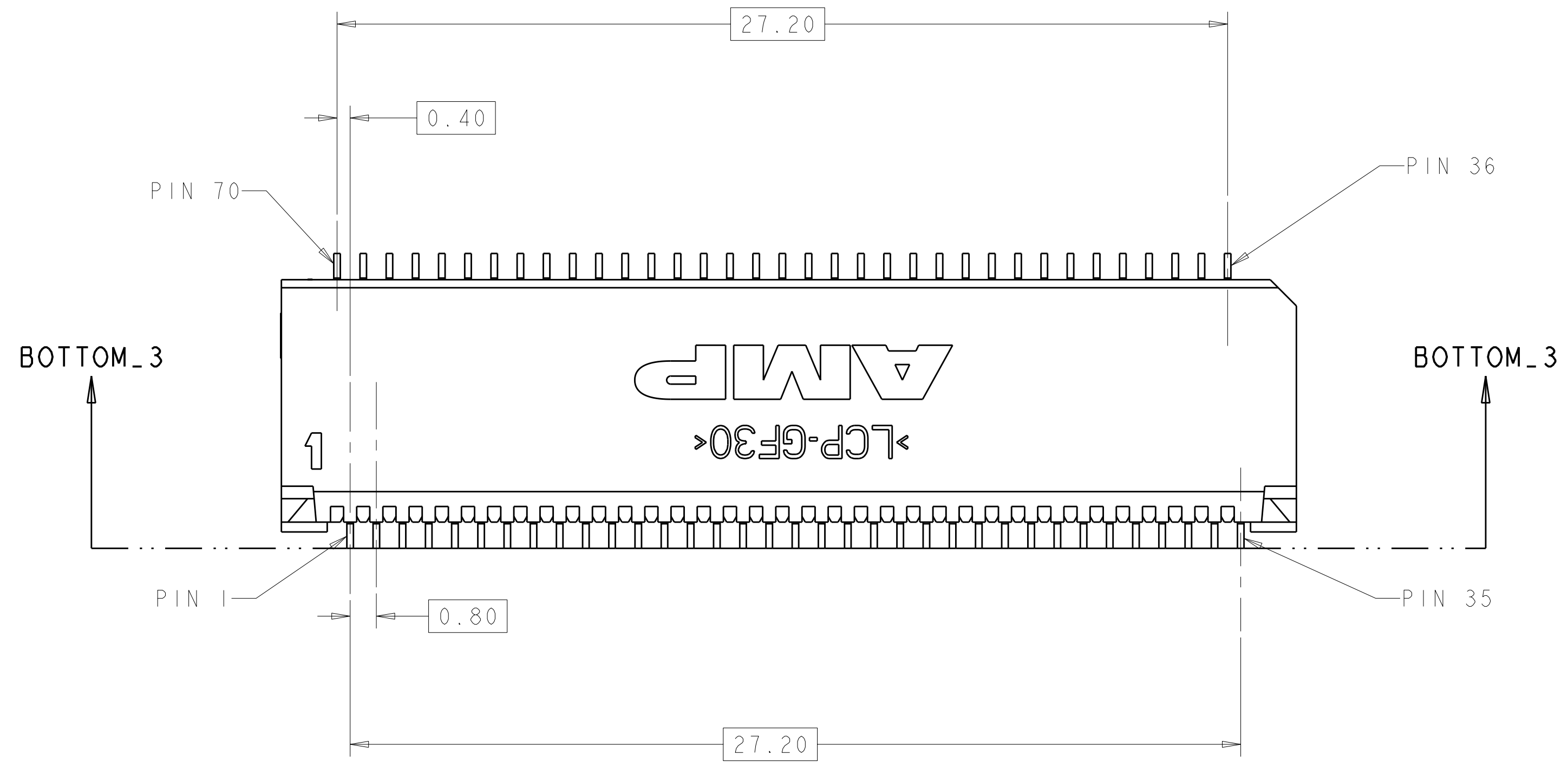
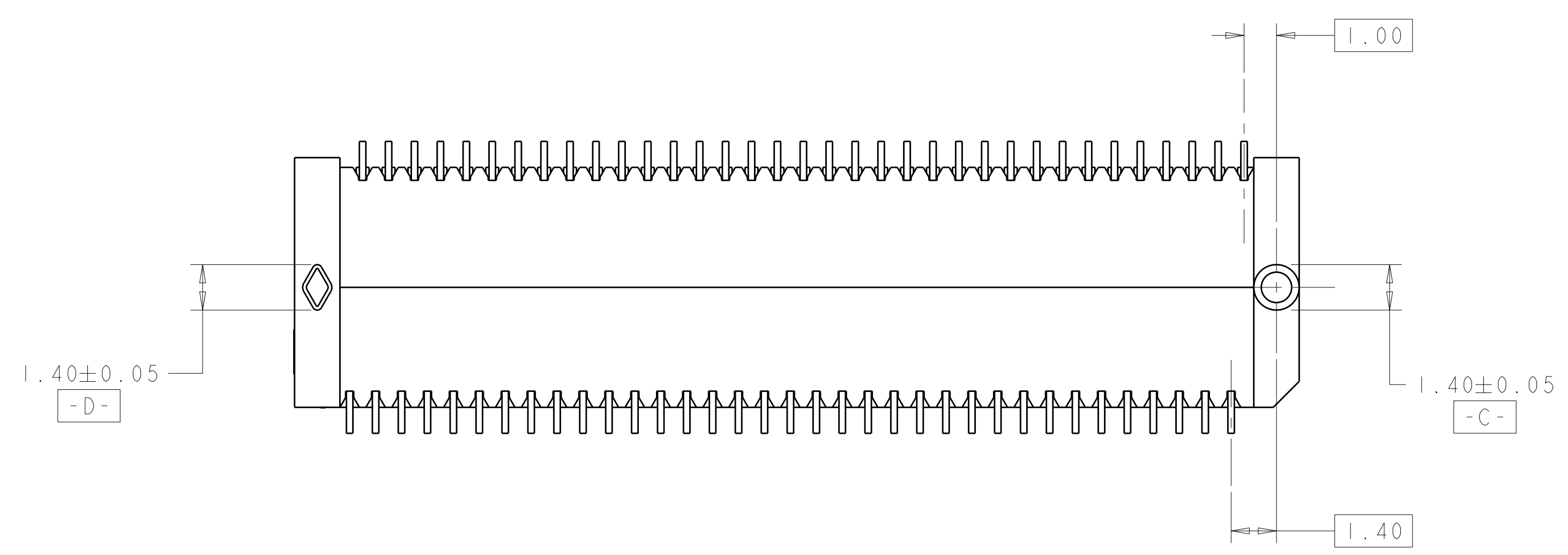
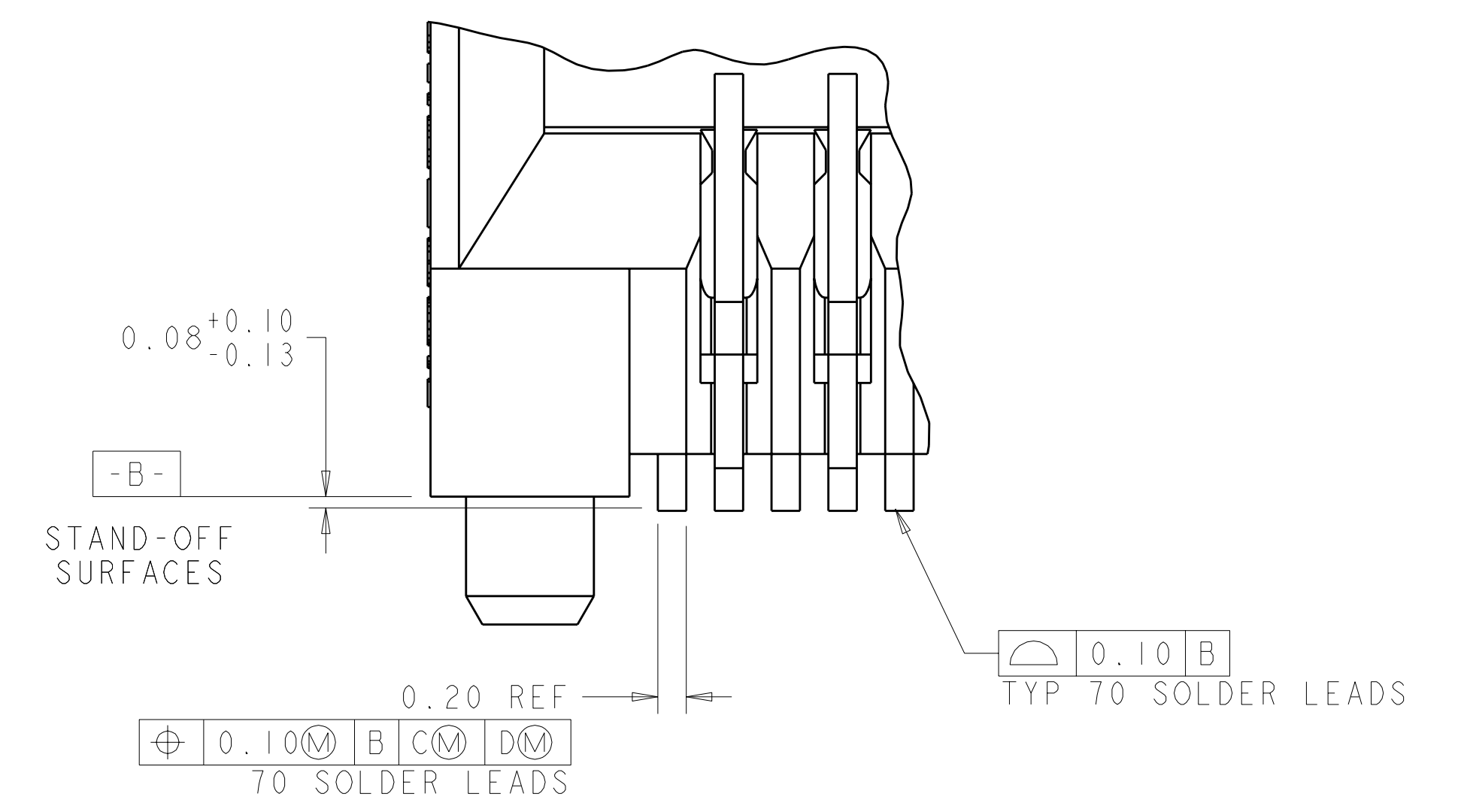
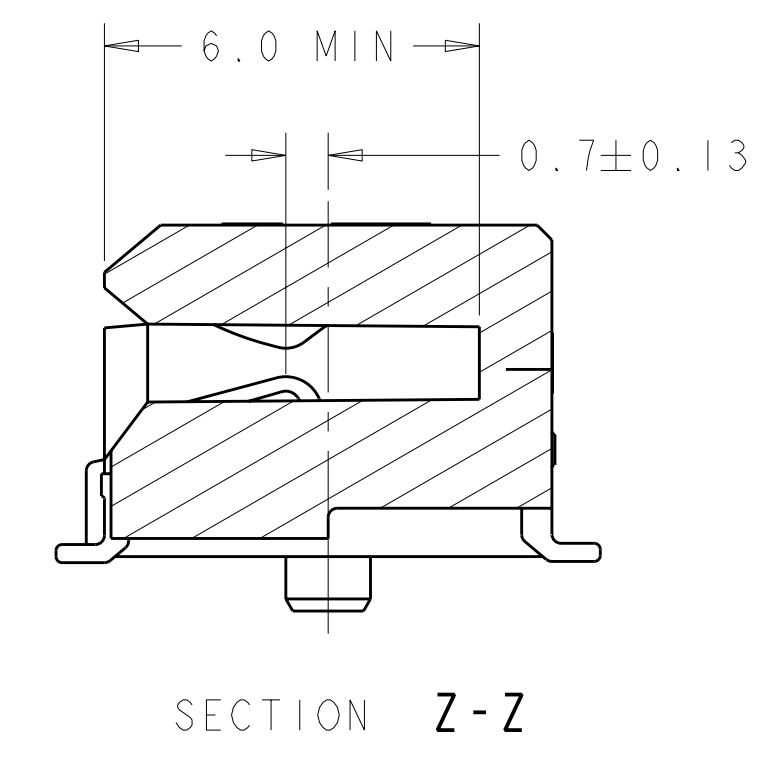
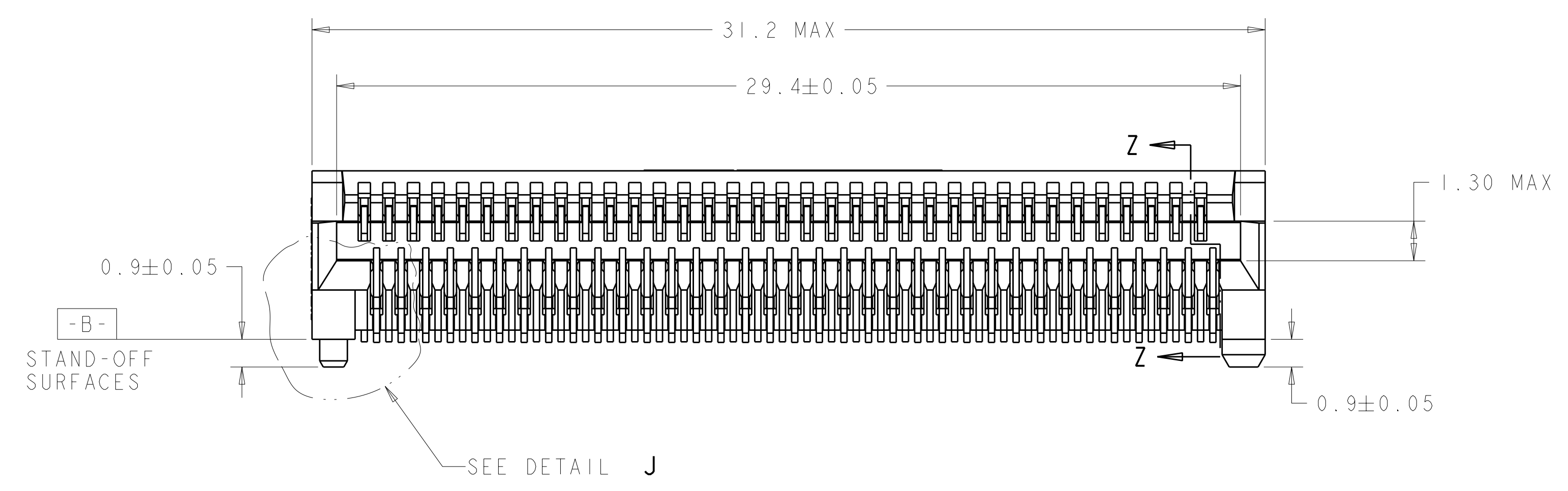
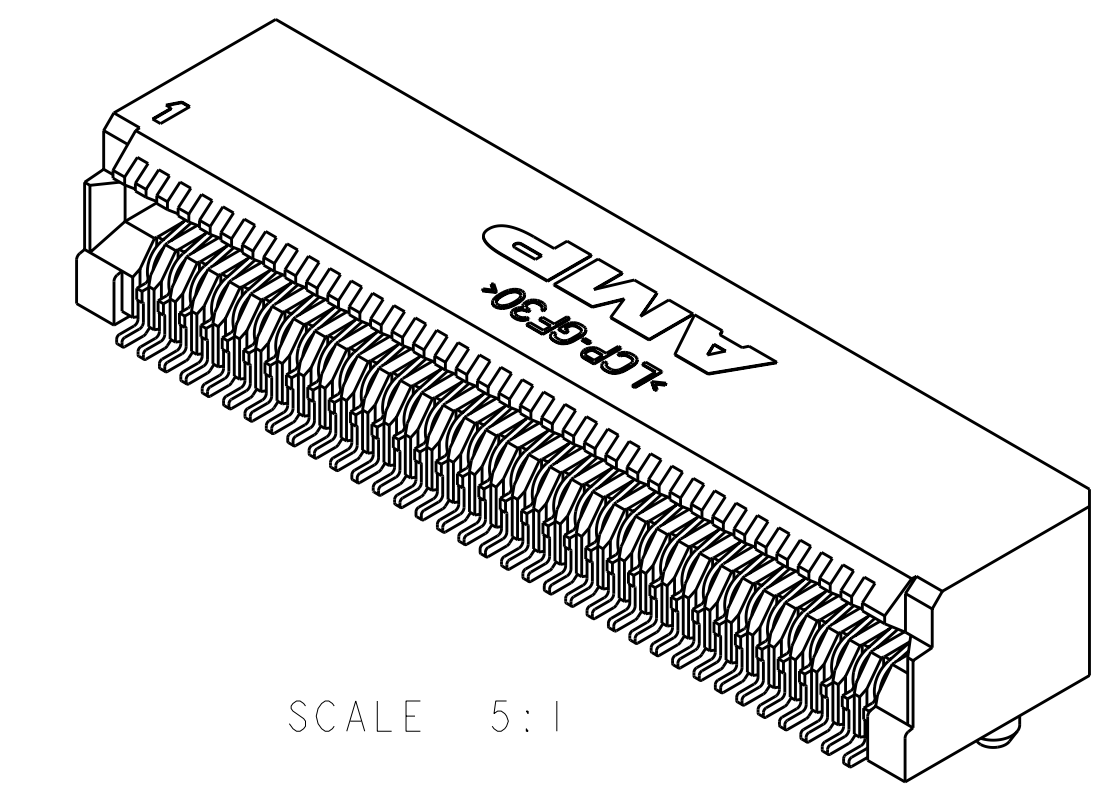


LOC	DIST	REV	DATE	BY	APPD
ES	00				
H3		ECR-11-001732	25JAN2011	KS	MO, W
H4		REVISED PER ECR-11-009789	11MAY2011	KS	MO, W



- PART COMPATABLE XENPAK & X2 MSA. REFER TO THESE MSA'S FOR DIMENSIONS NOT SHOWN ON THIS PRINT.
- HOUSING: HIGH TEMPERATURE LCP, UL 94V-0 RATED, BLACK.
- CONTACTS: 0.00038 MIN GOLD IN CONTACT AREA, 0.00013 MIN GOLD ON SOLDER AREA, OVER 0.0038 MIN NICKEL UNDERPLATE ON ENTIRE CONTACT.
- PACKAGED 480 PIECES PER REEL.
- GROUND, POWER AND SIGNAL PAD ARRANGEMENT TO BE DETERMINED BY CUSTOMER.
- DATUMS AND BASIC DIMENSIONS ESTABLISHED BY CUSTOMER.
- CONTACTS: 0.00076 MIN GOLD IN CONTACT AREA, 0.00013 MIN GOLD ON SOLDER AREA, OVER 0.0038 MIN NICKEL UNDERPLATE ON ENTIRE CONTACT.



DETAIL J
SCALE 25:1

YES	△1	1367337-4
YES	△3	1367337-3
NO	△7	1367337-2
NO	△3	1367337-1
DATE CODE	FINISH	PART NUMBER

THIS DRAWING IS A CONTROLLED DOCUMENT. DWN: D. BROCKWAY 12FEB01
 CHK: J. KOPPENHEFFER 08JUN01
 APVD: S. GOOD 08JUN01

TE Connectivity
PT CONNECTOR ASSEMBLY, 70 POSITION, RTANG, 0.8MM

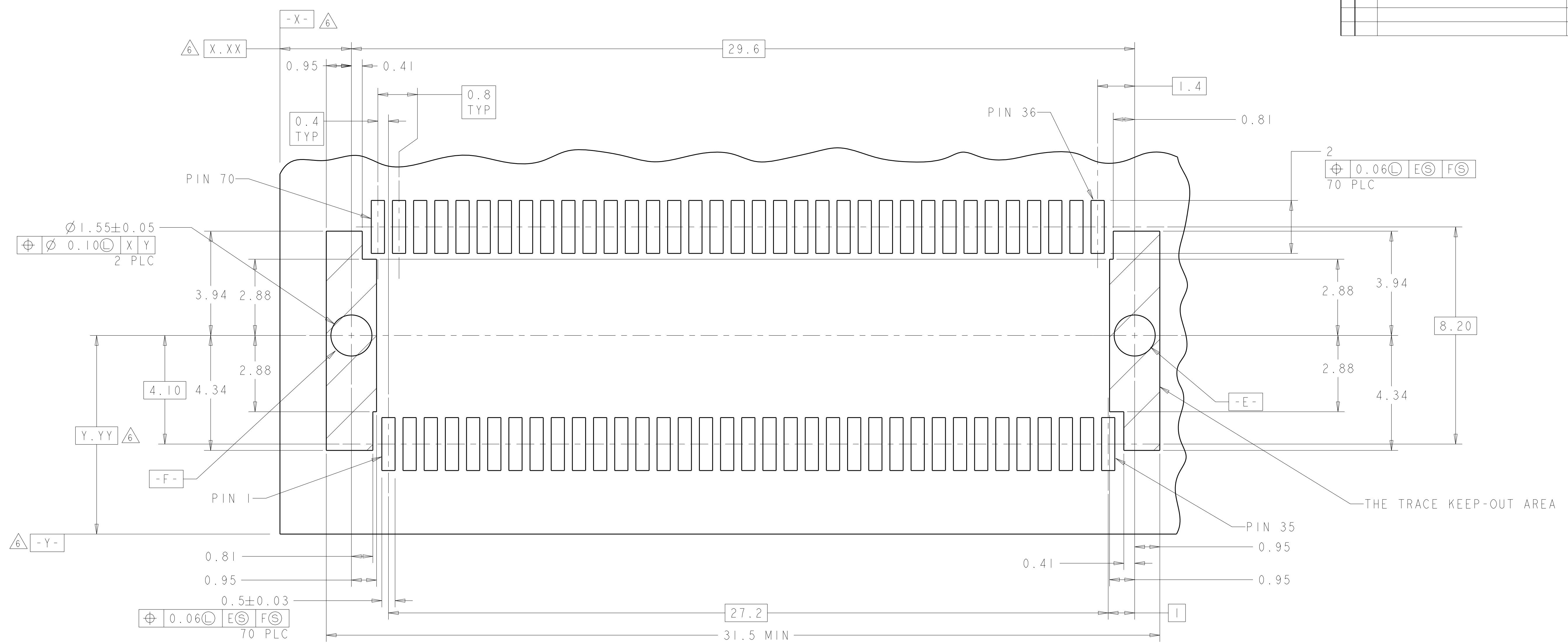
PRODUCT SPEC: 108-1949
 APPLICATION SPEC: 114-13017

SIZE: A100779 CAGE CODE: 1367337
 DRAWING NO: 1367337-4
 SHEET: 1 OF 2
 REV: H4

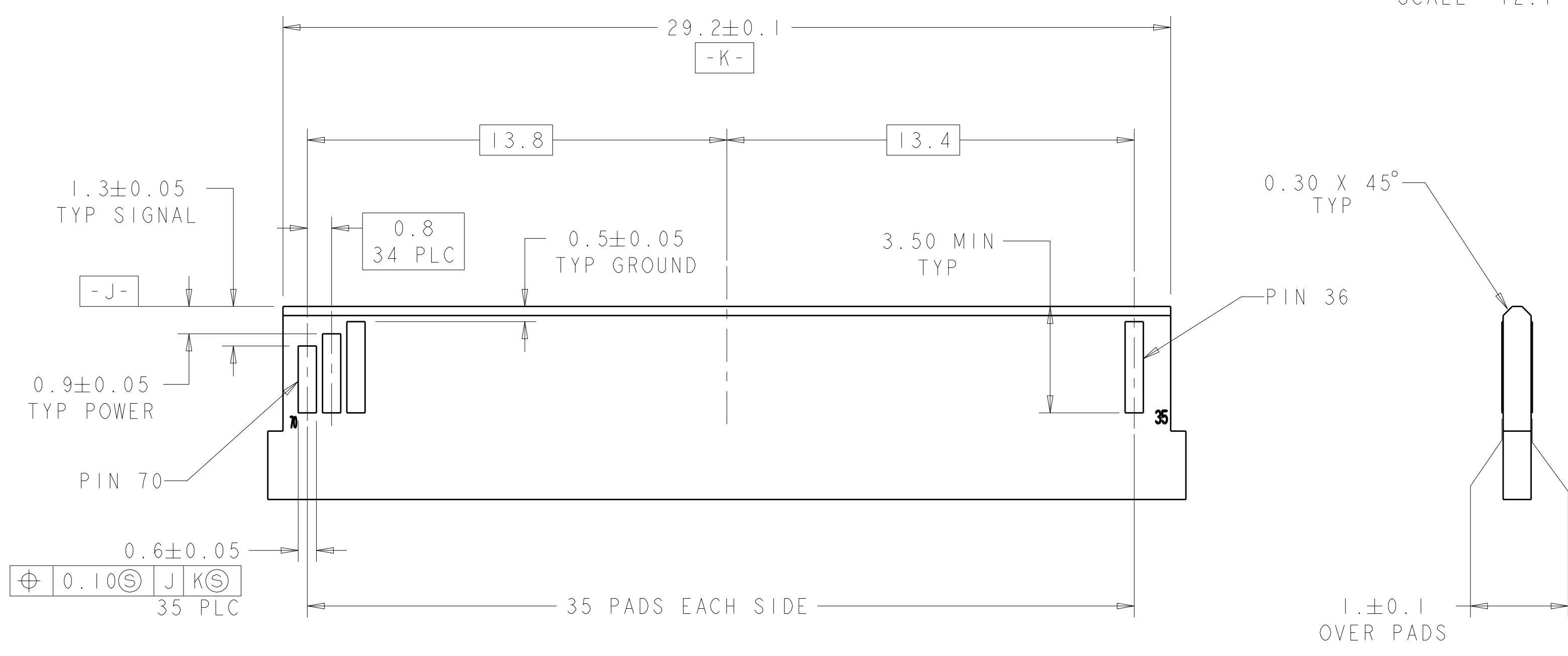
SCALE: 8:1

LOC	DIST	REV	DATE	BY	APPD
ES	00				

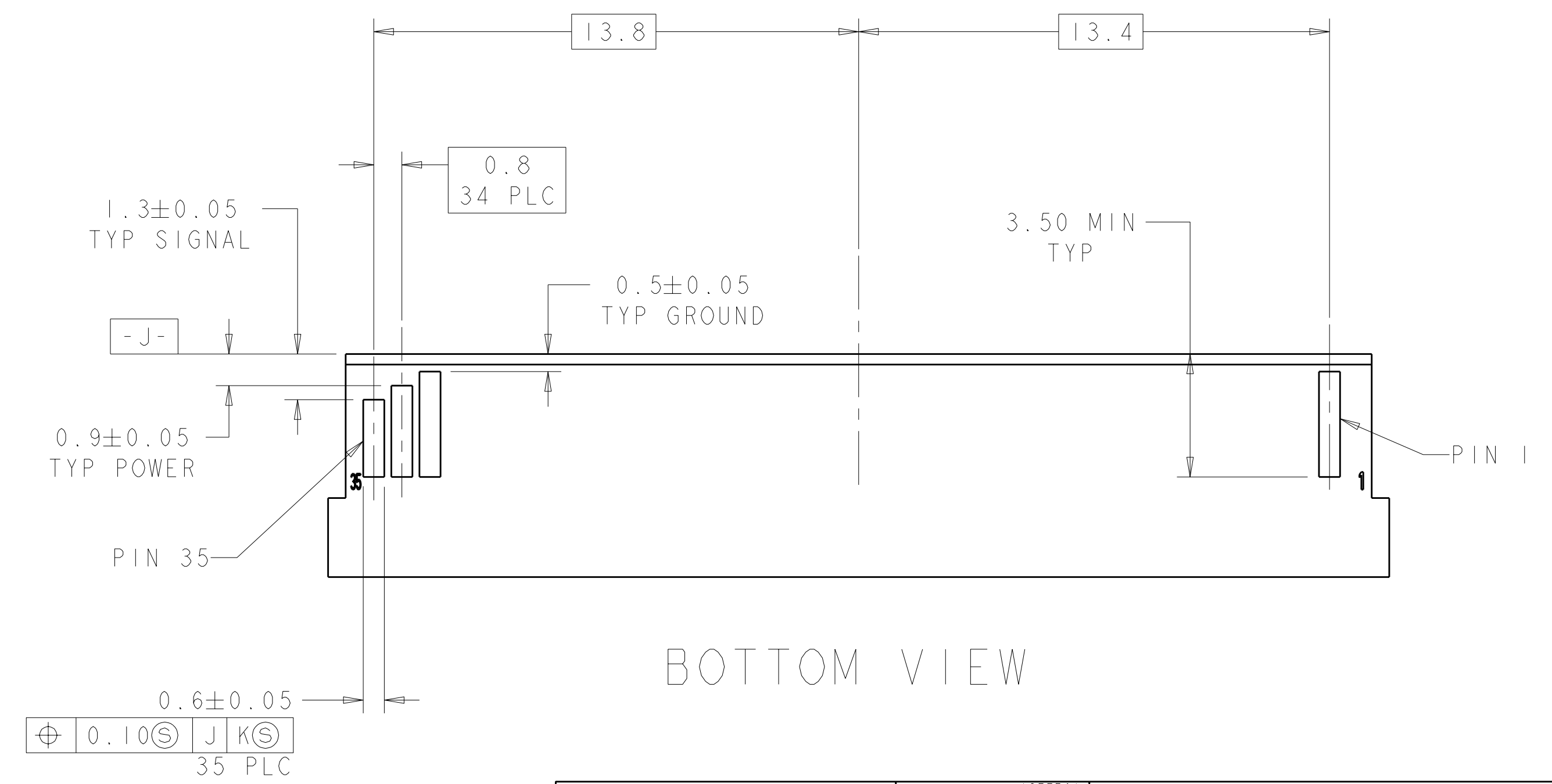
REVISIONS		DATE	BY	APPD
1	SEE SHEET 1			



RECOMMENDED PCB LAYOUT DETAIL
CONNECTOR MOUNTING SIDE
SCALE 12:1



TOP VIEW



BOTTOM VIEW

RECOMMENDED LAYOUT DETAIL
MATING PCB

THIS DRAWING IS A CONTROLLED DOCUMENT.		DWN D. BROCKWAY	12FEB01	TE Connectivity	
DIMENSIONS:		CHK J. KOPPENHEFFER	08JUN01		
TOLERANCES UNLESS OTHERWISE SPECIFIED:		APVD S. GOOD	08JUN01	NAME PT CONNECTOR ASSEMBLY, 70 POSITION, RTANG, 0.8MM	
mm	9 PLC ±	PRODUCT SPEC		SIZE CAGE CODE DRAWING NO	
	1 PLC ±0.10	108-1949		A100779C-1367337	
	5 PLC ±	APPLICATION SPEC		RESTRICTED TO	
	4 PLC ±	114-13017		SCALE 8:1 SHEET 2 OF 2 REV H4	
	ANGLES ±	WEIGHT			
MATERIAL	FINISH	CUSTOMER DRAWING			
SEE TABLE					

Mouser Electronics

Authorized Distributor

Click to View Pricing, Inventory, Delivery & Lifecycle Information:

[TE Connectivity:](#)

[1367337-1](#)