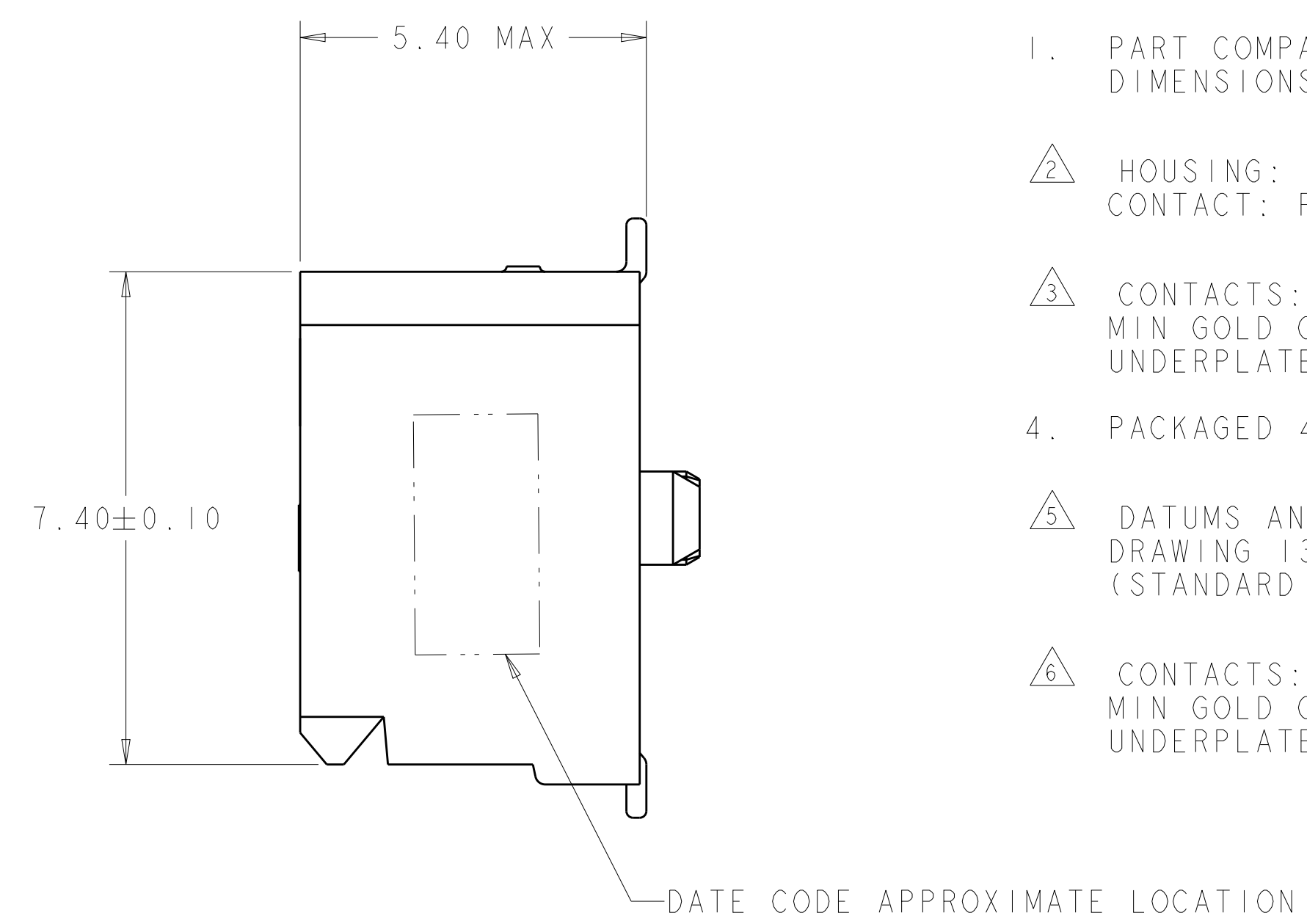
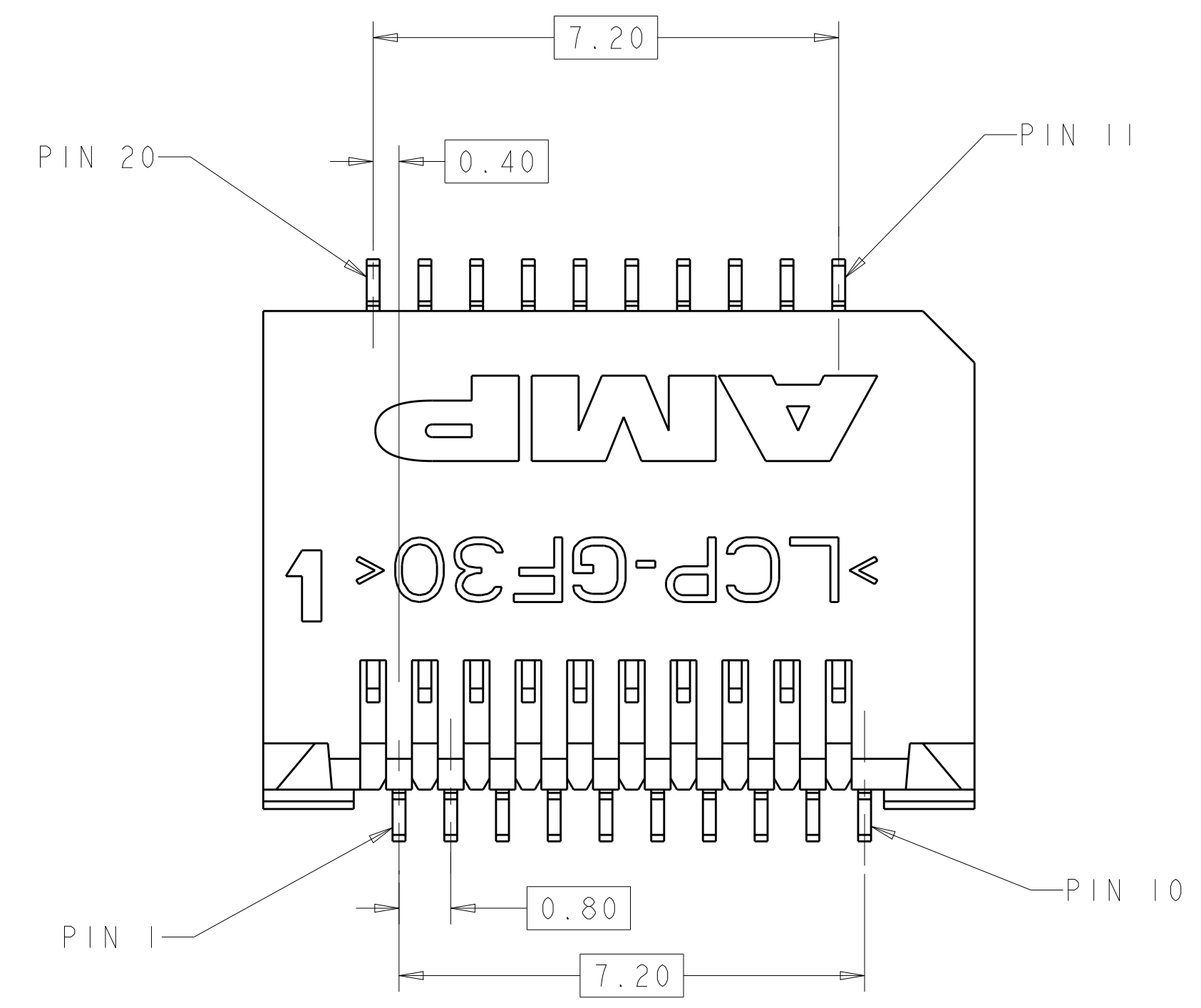
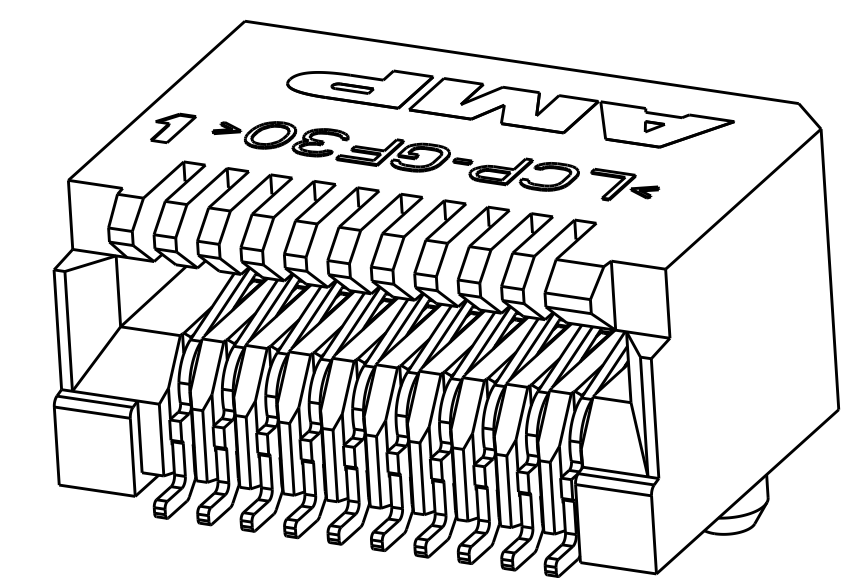
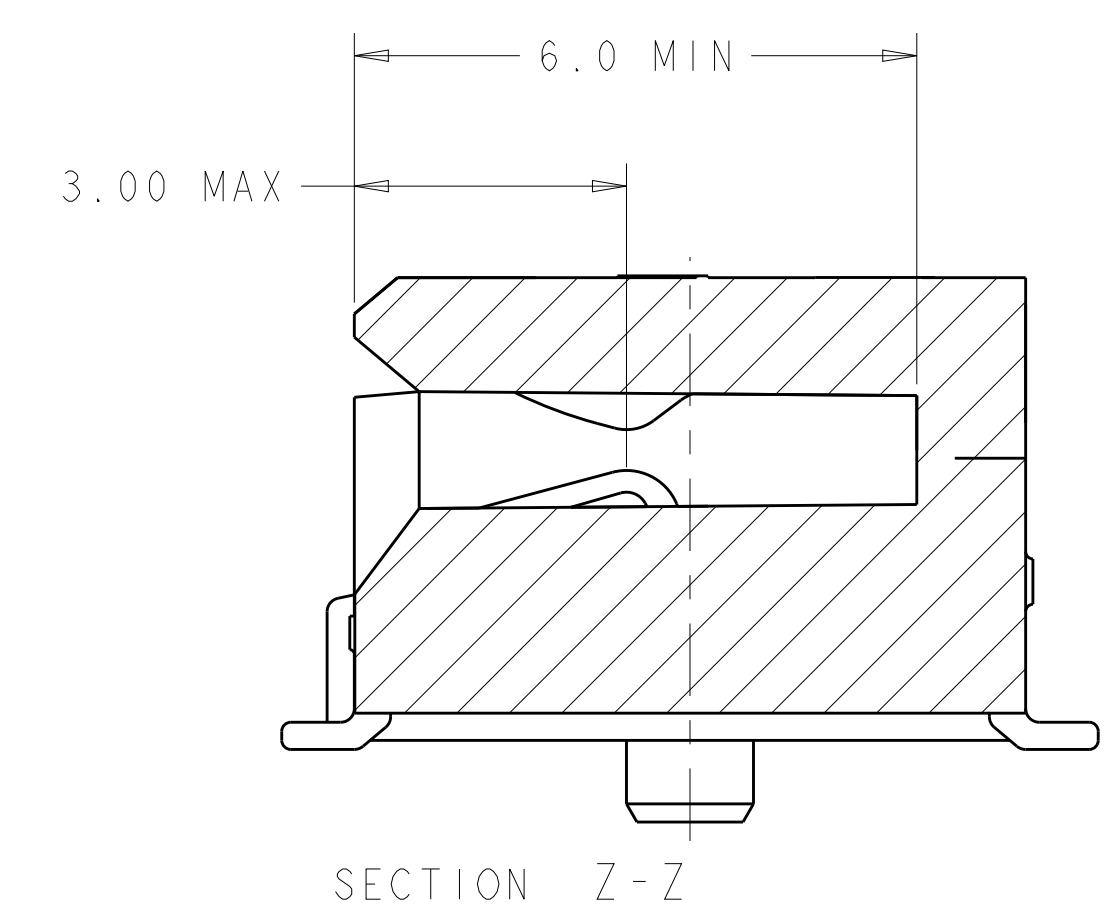
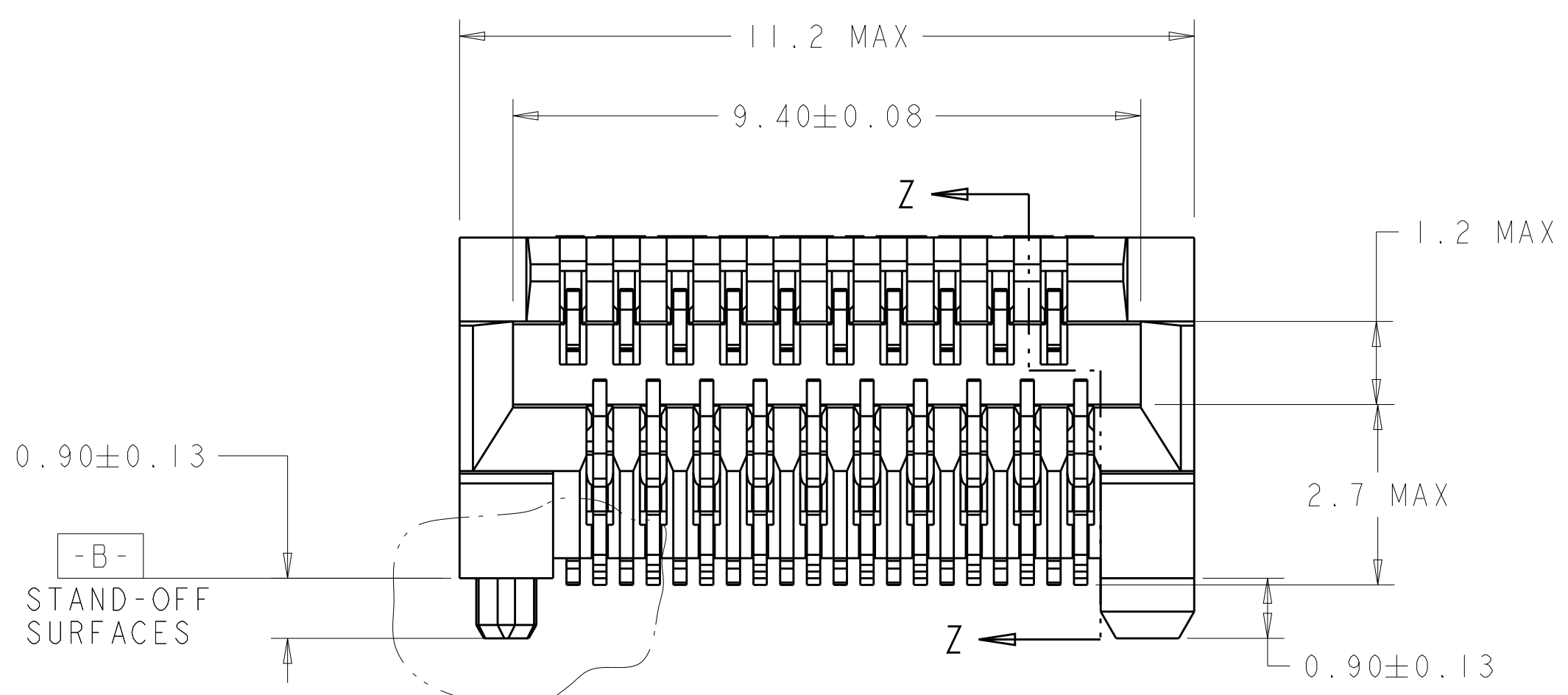


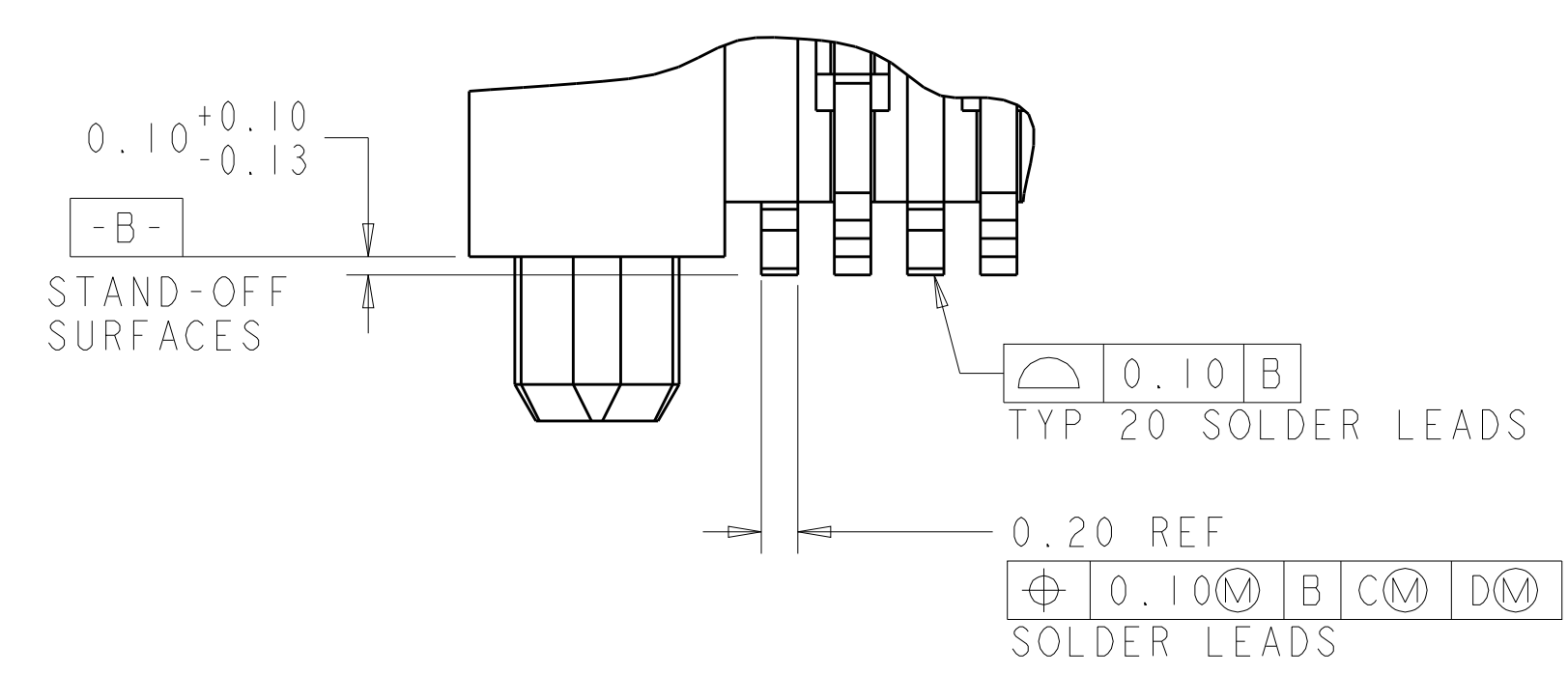
LOC	DIST	REVISIONS			
P	LTN	DESCRIPTION	DATE	DMN	APVD
J1		REVISED PER ECO-11-005033	09MAY2011	RK	HMR
K		REVISED PER ECO-12-014566	18DEC2012	JY	AC



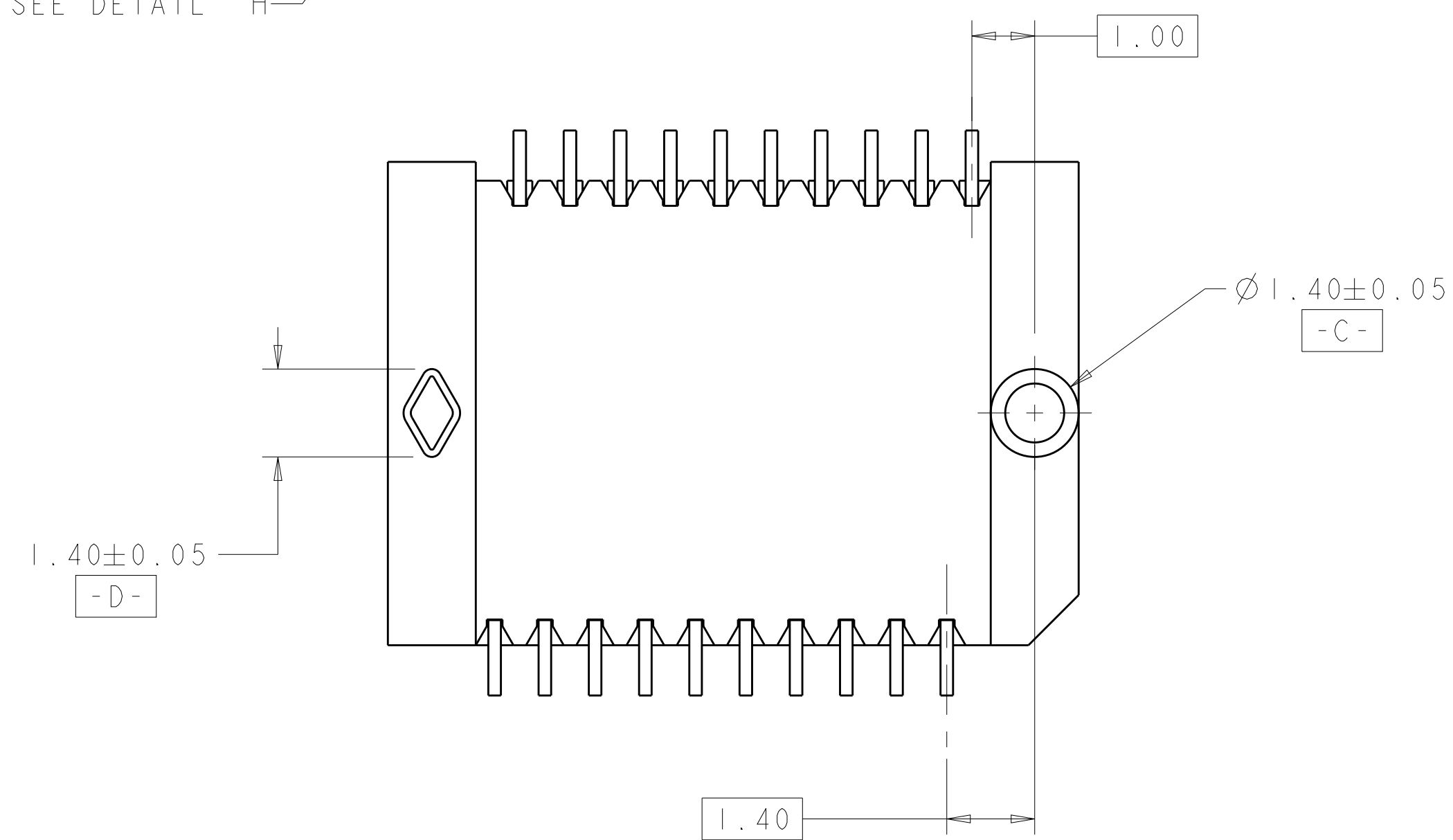
- PART COMPATIBLE WITH SFP MSA. REFER TO THE SFP MSA FOR DIMENSIONS NOT SHOWN ON THIS PRINT.
- HOUSING: HIGH TEMPERATURE LCP, UL 94V-0 RATED, BLACK. CONTACT: PHOSPHOR BRONZE.
- CONTACTS: 0.00038 MIN GOLD IN CONTACT AREA, 0.00013 MIN GOLD ON SOLDER AREA, OVER 0.0038 MIN NICKEL UNDERPLATE ON ENTIRE CONTACT.
- PACKAGED 480 PIECES PER REEL.
- DATUMS AND BASIC DIMENSIONS TO BE ESTABLISHED BY CUSTOMER, SEE DRAWING 1367034 FOR LAYOUT WHEN USED WITH 1367034-1 BOTTOM CAGE (STANDARD SFP APPLICATION).
- CONTACTS: 0.00076 MIN GOLD IN CONTACT AREA, 0.00013 MIN GOLD ON SOLDER AREA, OVER 0.0038 MIN NICKEL UNDERPLATE ON ENTIRE CONTACT.



SCALE 8:1



DETAIL H  
SCALE 25:1



YES	6	1367073-4
YES	3	1367073-3
NO	6	1367073-2
NO	3	1367073-1
DATE CODE	FINISH	PART NUMBER

DIMENSIONS:		TOLERANCES UNLESS OTHERWISE SPECIFIED:		MATERIAL:		FINISH:		MATERIAL:	
mm	0 PLC	±		SEE TABLE					
	1 PLC	±							
	2 PLC	±	0.10						
	3 PLC	±							
	4 PLC	±							
	ANGLES	±							

DMN	CHK	APVD	DATE	REV	DESCRIPTION
P. KERBLIN	E. BRIGHT	E. BRIGHT	01MAR2000	1	PT CONNECTOR ASSEMBLY, 20 POSITION, SFP, RTANG, 0.8MM

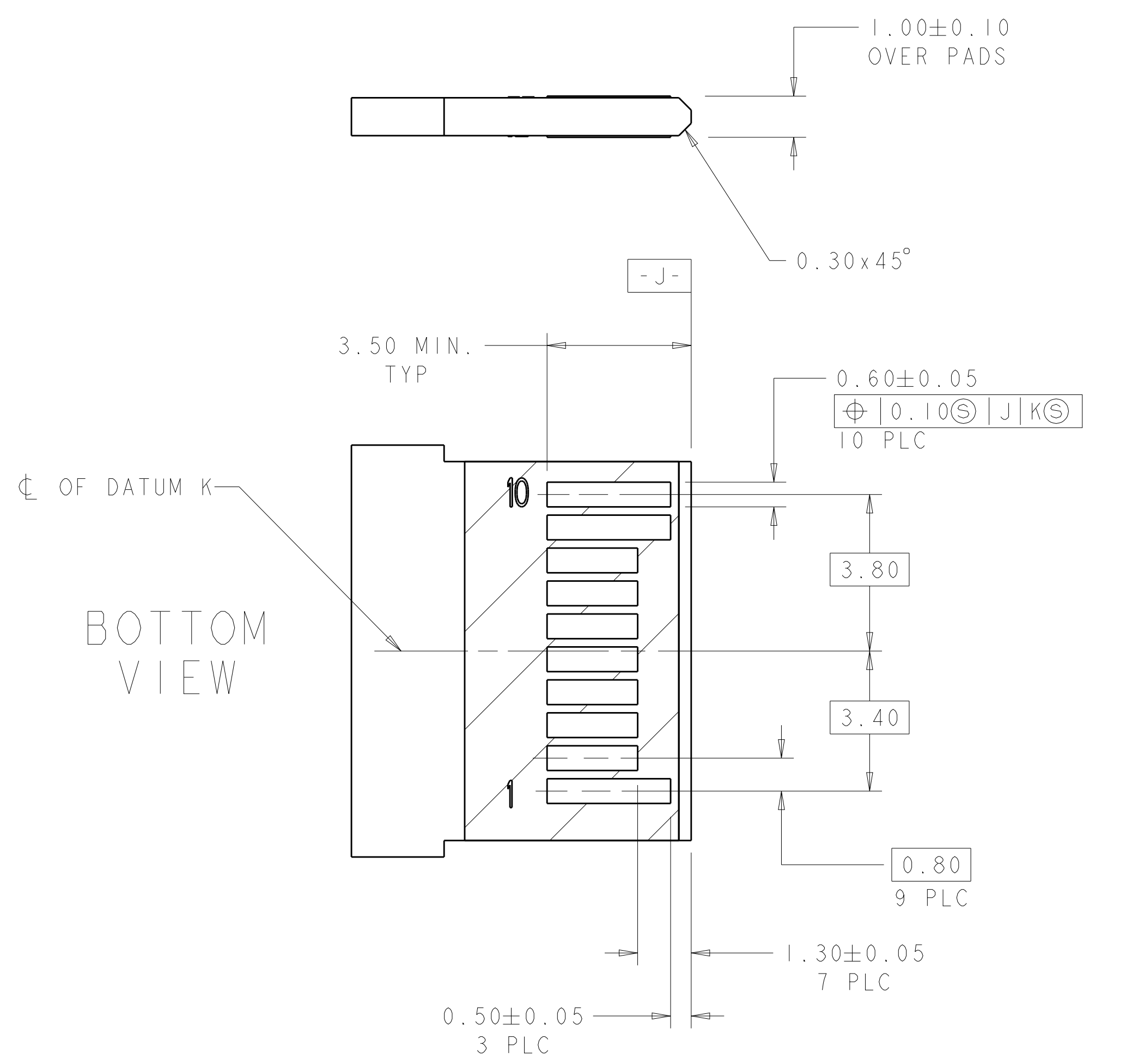
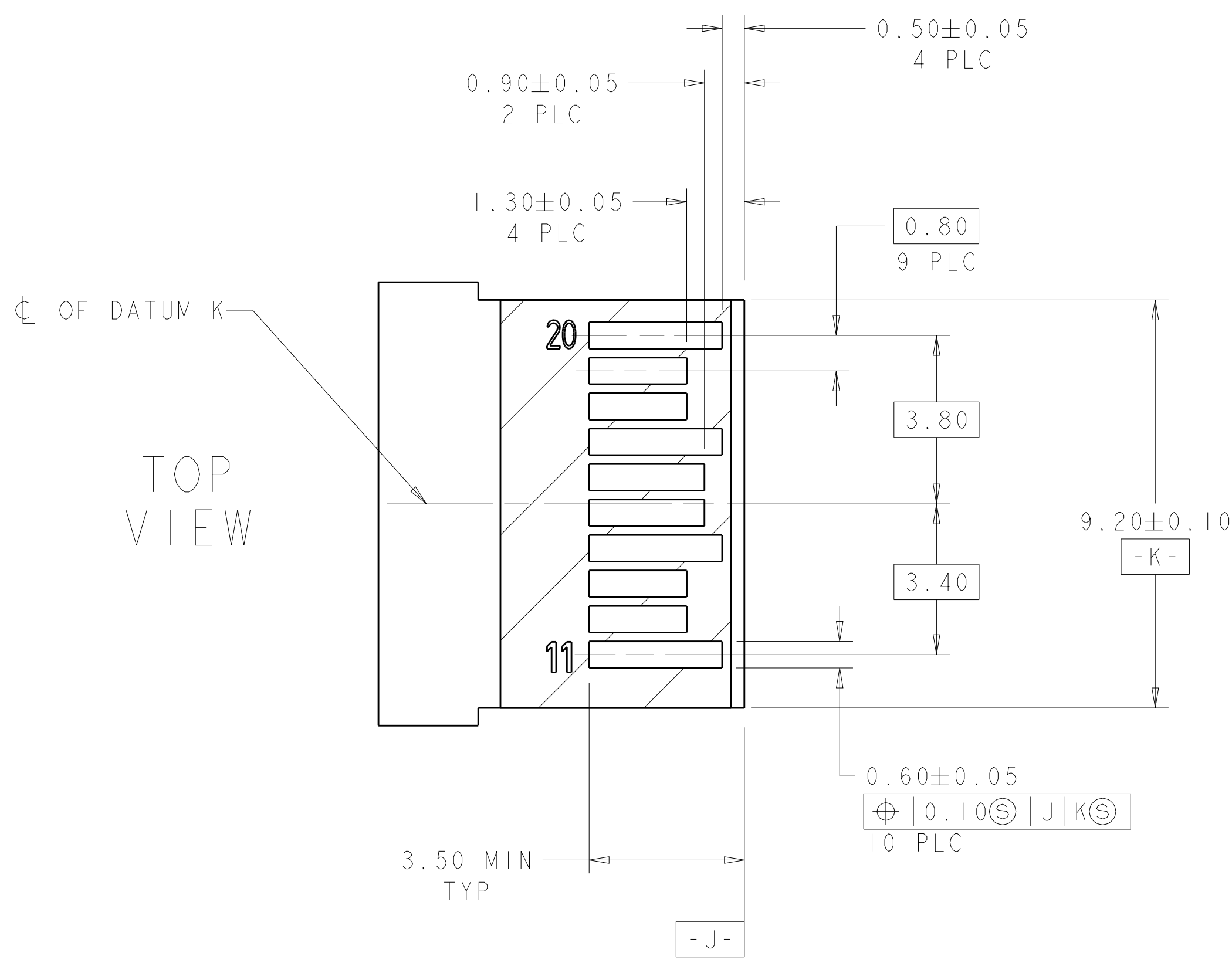
SIZE	CAGE CODE	DRAWING NO	RESTRICTED TO
A1	00779	1367073	

Customer Drawing SCALE 12:1 SHEET 1 OF 2 REV K

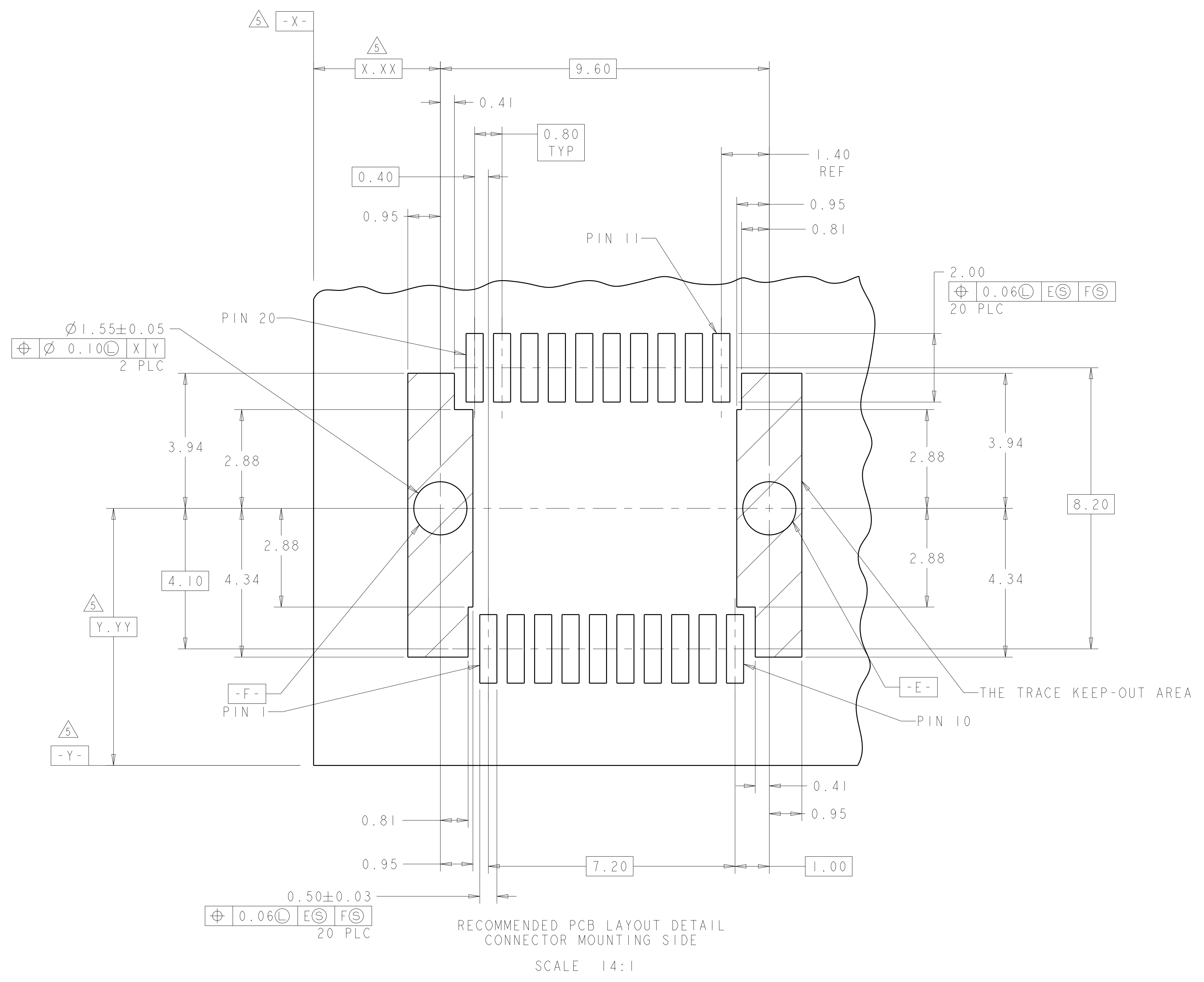
LOC	DIST	REV	DATE	BY	APPD
ES	00				

REVISIONS			
REV	DATE	BY	APPD
-	-	-	-
-	-	-	-



RECOMMENDED LAYOUT DETAIL  
 MATING TRANSCEIVER PCB  
 SCALE 10:1



RECOMMENDED PCB LAYOUT DETAIL  
 CONNECTOR MOUNTING SIDE  
 SCALE 14:1

THIS DRAWING IS A CONTROLLED DOCUMENT.		OWN P. KERLIN 01MAR2000	<b>STE</b> TE Connectivity
DIMENSIONS: mm		CHK E. BRIGHT 01MAR2000	
TOLERANCES UNLESS OTHERWISE SPECIFIED:		APVD F. BRIGHT 01MAR2000	NAME PT CONNECTOR ASSEMBLY, 20 POSITION, SFP, RTANG, 0.8MM
0 PLC ±		PRODUCT SPEC 108-1949	SIZE CAGE CODE DRAWING NO RESTRICTED TO
1 PLC ±0.10		APPLICATION SPEC 114-13017	A100779C=1367073
2 PLC ±		WEIGHT	SCALE 12:1 SHEET 2 OF 2 REV K
3 PLC ±		MATERIAL FINISH	Customer Drawing
4 PLC ±			
ANGLES ±			

# Mouser Electronics

Authorized Distributor

Click to View Pricing, Inventory, Delivery & Lifecycle Information:

[TE Connectivity:](#)

[1367073-1](#)