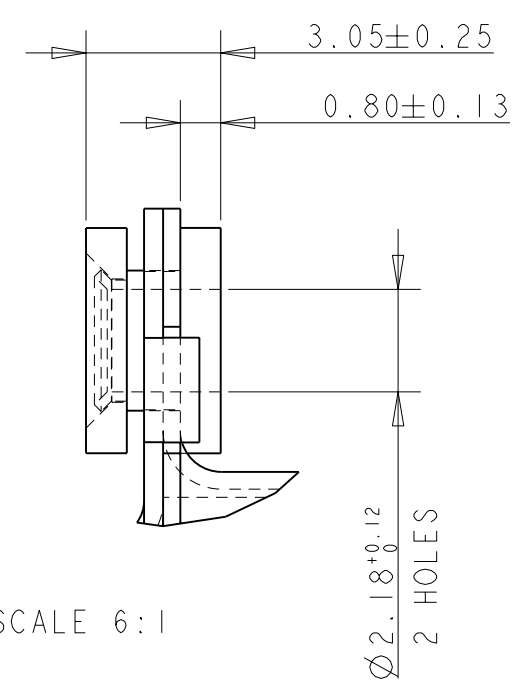
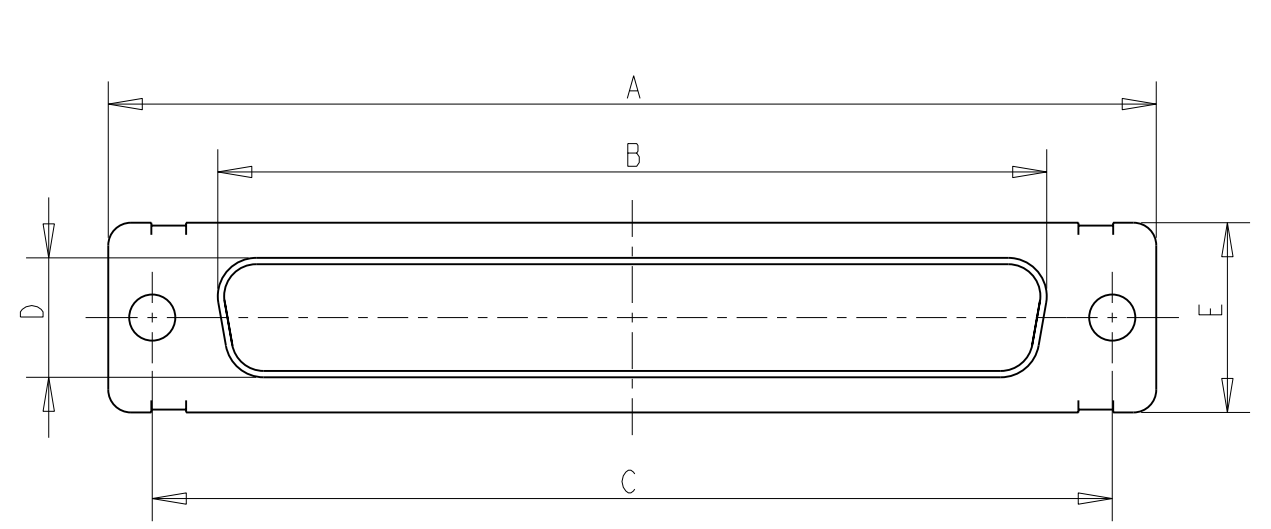
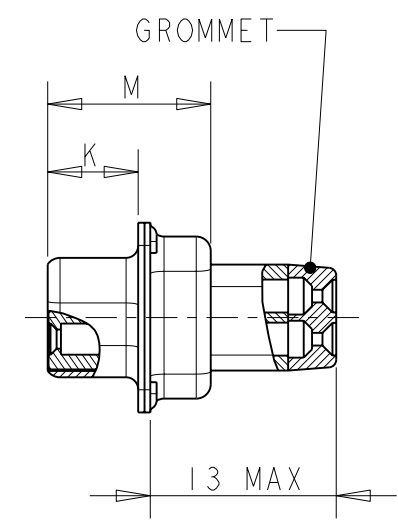
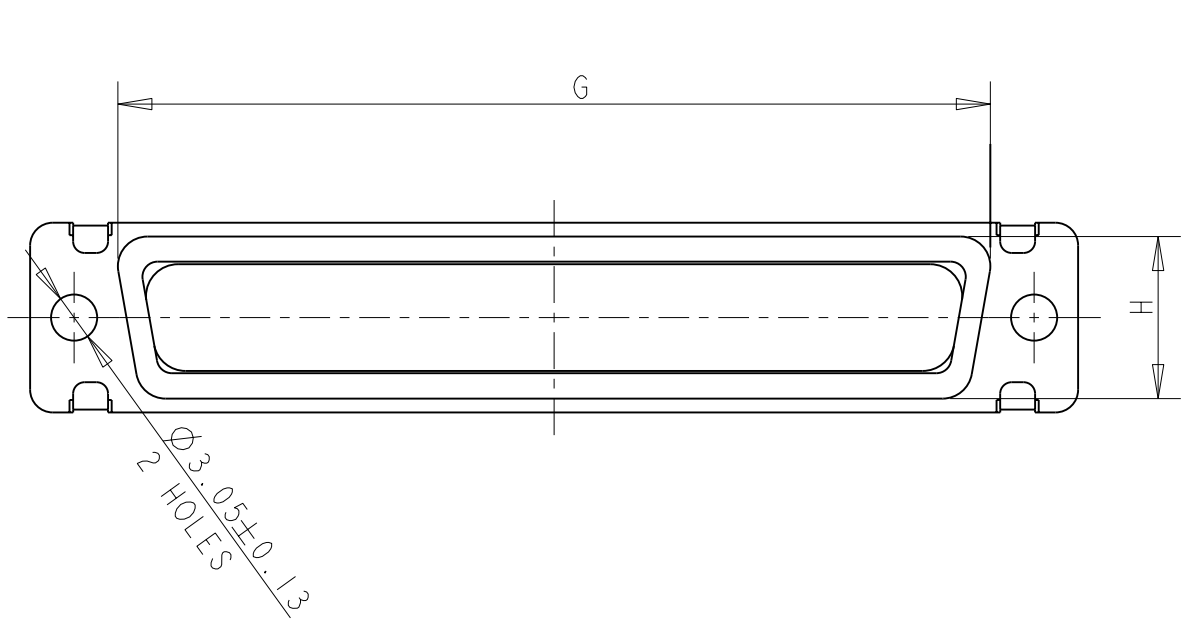


THIS DRAWING IS UNPUBLISHED. RELEASED FOR PUBLICATION 20
 © COPYRIGHT 20 Tyco Electronics AMP GmbH ALL RIGHTS RESERVED.

LOC	DIST	REVISIONS			
P	LTR	DESCRIPTION	DATE	DWN	APVD
F	00	G	CLARIFICATIONS	30JUN2009	JT YP
		H	13 WAS 11.9 MAX. UPDATE NOTE 5 AND FORMAT	20OCT2011	JT YP


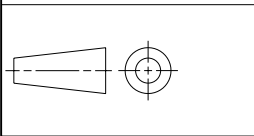


10.90	6.17	55.32	13.56	15.37	10.74	61.11	52.43	66.93	RECEPTACLE WITH #20 SOCKET CONTACTS	50	5	MDP308GF - 50S2	6-135760-0
10.90	6.17	57.71	10.72	12.55	7.90	63.50	54.84	69.32	RECEPTACLE WITH #20 SOCKET CONTACTS	37	4	MDP308GF - 37S2	9-135760-5
10.90	6.17	41.30	10.72	12.55	7.90	47.04	38.38	53.04	RECEPTACLE WITH #20 SOCKET CONTACTS	25	3	MDP308GF - 25S2	5-135760-9
10.90	6.17	27.51	10.72	12.55	7.90	33.32	24.66	39.14	RECEPTACLE WITH #20 SOCKET CONTACTS	15	2	MDP308GF - 15S2	5-135760-8
10.90	6.17	19.28	10.72	12.55	7.90	24.99	16.33	30.81	RECEPTACLE WITH #20 SOCKET CONTACTS	9	1	MDP308GF - 9S2	9-135760-4
M±0.25	K±0.13	G±0.25	H±0.25	E±0.38	D±0.13	C±0.13	B±0.13	A±0.38	DESCRIPTION	NB POS.	SIZE	OLD P/N	P/N 2

SCALE 6:1

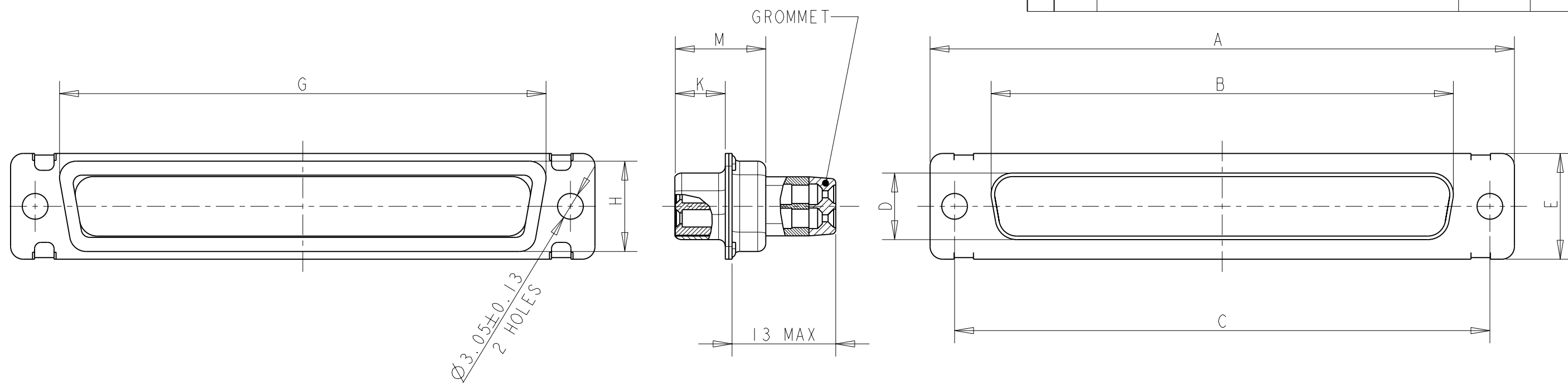
SEE NOTES ON LAST SHEET

FLOATING BUSHING

THIS DRAWING IS A CONTROLLED DOCUMENT.		DWN Thierry CORRIOU 21APR2004	 TE Connectivity		
DIMENSIONS: mm		CHK Yves PETRONIN 21APR2004			
TOLERANCES UNLESS OTHERWISE SPECIFIED:		APVD Miguel FURIO 21APR2004	NAME SUB D RECEPTACLE WITH WIRE BUSHING MDP TYPE		
		PRODUCT SPEC -	RESTRICTED TO		
MATERIAL NOTE 3		APPLICATION SPEC NOTE 7	SIZE A3	CAGE CODE 00779	DRAWING NO C-135760
FINISH NOTE 4		WEIGHT -	SCALE 2:1		
		CUSTOMER DRAWING	SHEET 1 OF 5		
			REV H		

THIS DRAWING IS UNPUBLISHED. RELEASED FOR PUBLICATION 20
 © COPYRIGHT 20 Tyco Electronics AMP GmbH ALL RIGHTS RESERVED.

LOC	DIST	REVISIONS			
P	LTR	DESCRIPTION	DATE	DWN	APVD
F	00	-	SEE SHEET 1	-	-



10.90	6.17	58.47	15.14	16.97	12.32	63.65	55.60	69.32	RECEPTACLE WITH #22 SOCKET CONTACTS	104	6	MDP308G - 66104S2	7-135760-9
10.90	6.17	55.32	13.56	15.37	10.74	61.11	52.43	66.93	RECEPTACLE WITH #22 SOCKET CONTACTS	78	5	MDP308G - 5078S2	9-135760-3
10.90	6.17	57.71	10.72	12.55	7.90	63.50	54.84	69.32	RECEPTACLE WITH #22 SOCKET CONTACTS	62	4	MDP308G - 3762S2	9-135760-1
10.90	6.17	41.30	10.72	12.55	7.90	47.04	38.38	53.04	RECEPTACLE WITH #22 SOCKET CONTACTS	44	3	MDP308G - 2544S2	6-135760-9
10.90	6.17	27.51	10.72	12.55	7.90	33.32	24.66	39.14	RECEPTACLE WITH #22 SOCKET CONTACTS	26	2	MDP308G - 1526S2	8-135760-8
10.90	6.17	19.28	10.72	12.55	7.90	24.99	16.33	30.81	RECEPTACLE WITH #22 SOCKET CONTACTS	15	1	MDP308G - 915S2	8-135760-6
10.90	6.17	55.32	13.56	15.37	10.74	61.11	52.43	66.93	RECEPTACLE WITH #20 SOCKET CONTACTS	50	5	MDP308G - 50S2	5-135760-7
10.90	6.17	57.71	10.72	12.55	7.90	63.50	54.84	69.32	RECEPTACLE WITH #20 SOCKET CONTACTS	37	4	MDP308G - 37S2	5-135760-6
10.90	6.17	41.30	10.72	12.55	7.90	47.04	38.38	53.04	RECEPTACLE WITH #20 SOCKET CONTACTS	25	3	MDP308G - 25S2	5-135760-5
10.90	6.17	27.51	10.72	12.55	7.90	33.32	24.66	39.14	RECEPTACLE WITH #20 SOCKET CONTACTS	15	2	MDP308G - 15S2	8-135760-3
10.90	6.17	19.28	10.72	12.55	7.90	24.99	16.33	30.81	RECEPTACLE WITH #20 SOCKET CONTACTS	9	1	MDP308G - 9S2	5-135760-4
M±0.25	K±0.13	G±0.25	H±0.25	E±0.38	D±0.13	C±0.13	B±0.13	A±0.38	DESCRIPTION	NB POS.	SIZE	OLD P/N	P/N 2

SEE NOTES ON LAST SHEET

THIS DRAWING IS A CONTROLLED DOCUMENT.

DIMENSIONS: mm

TOLERANCES UNLESS OTHERWISE SPECIFIED:

0 PLC	±0.13
1 PLC	±0.13
2 PLC	±0.13
3 PLC	±
4 PLC	±
ANGLES	±1
FINISH	NOTE 4

MATERIAL NOTE 3

APVD: Thierry CORRIOU, Yves PETRONIN, Miguel FURIO (21 APR 2004)

CHK: Yves PETRONIN (21 APR 2004)

DWN: Thierry CORRIOU (21 APR 2004)

PRODUCT SPEC: 1

APPLICATION SPEC: NOTE 7

WEIGHT: -

CUSTOMER DRAWING

STE TE Connectivity

NAME: SUB D RECEPTACLE WITH WIRE BUSHING MDP TYPE

SIZE: A3, CAGE CODE: 00779, DRAWING NO: 135760

RESTRICTED TO: -

SCALE: 2:1, SHEET: 2 OF 5, REV: H

THIS DRAWING IS UNPUBLISHED.

RELEASED FOR PUBLICATION

20

© COPYRIGHT 20

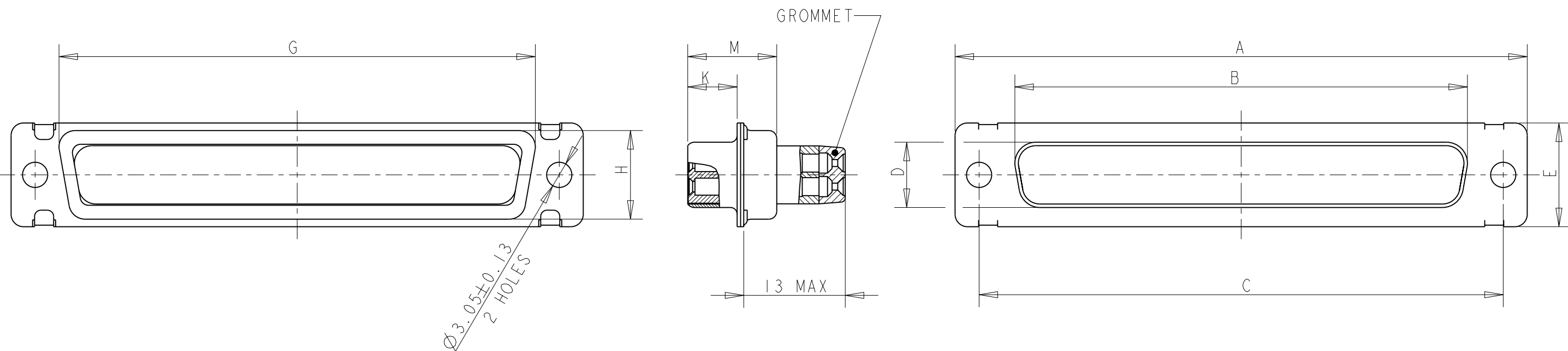
Tyco Electronics AMP GmbH

ALL RIGHTS RESERVED.

LOC F DIST 00

REVISIONS

P	LTR	DESCRIPTION	DATE	DWN	APVD
-	-	SEE SHEET 1	-	-	-



10.90	6.17	58.47	15.14	16.97	12.32	63.65	55.60	69.32	RECEPTACLE, HIGH DENSITY	104	6	MDP308G - 66104S2 - 001	8-135760-0
10.90	6.17	55.32	13.56	15.37	10.74	61.11	52.43	66.93	RECEPTACLE, HIGH DENSITY	78	5	MDP308G - 5078S2 - 001	9-135760-2
10.90	6.17	57.71	10.72	12.55	7.90	63.50	54.84	69.32	RECEPTACLE, HIGH DENSITY	62	4	MDP308G - 3762S2 - 001	9-135760-0
10.90	6.17	41.30	10.72	12.55	7.90	47.04	38.38	53.04	RECEPTACLE, HIGH DENSITY	44	3	MDP308G - 2544S2 - 001	8-135760-9
10.90	6.17	27.51	10.72	12.55	7.90	33.32	24.66	39.14	RECEPTACLE, HIGH DENSITY	26	2	MDP308G - 1526S2 - 001	8-135760-7
10.90	6.17	19.28	10.72	12.55	7.90	24.99	16.33	30.81	RECEPTACLE, HIGH DENSITY	15	1	MDP308G - 915S2 - 001	8-135760-5
10.90	6.17	55.32	13.56	15.37	10.74	61.11	52.43	66.93	RECEPTACLE	50	5	MDP308G - 50S2 - 001	4-135760-5
10.90	6.17	57.71	10.72	12.55	7.90	63.50	54.84	69.32	RECEPTACLE	37	4	MDP308G - 37S2 - 001	4-135760-4
10.90	6.17	41.30	10.72	12.55	7.90	47.04	38.38	53.04	RECEPTACLE	25	3	MDP308G - 25S2 - 001	4-135760-6
10.90	6.17	27.51	10.72	12.55	7.90	33.32	24.66	39.14	RECEPTACLE	15	2	MDP308G - 15S2 - 001	4-135760-3
10.90	6.17	19.28	10.72	12.55	7.90	24.99	16.33	30.81	RECEPTACLE	9	1	MDP308G - 9S2 - 001	4-135760-2
M±0.25	K±0.13	G±0.25	H±0.25	E±0.38	D±0.13	C±0.13	B±0.13	A±0.38	DESCRIPTION	NB POS	SIZE	OLD P/N	P/N 2

SEE NOTES ON LAST SHEET

THIS DRAWING IS A CONTROLLED DOCUMENT.

DIMENSIONS: mm	TOLERANCES UNLESS OTHERWISE SPECIFIED:
	0 PLC ±0.13
	1 PLC ±0.13
	2 PLC ±0.13
	3 PLC ±-
	4 PLC ±-
	ANGLES ±1
MATERIAL NOTE 3	FINISH NOTE 4

DWN Thierry CORRIOU 21APR2004	CHK Yves PETRONIN 21APR2004	APVD Miguel FURIO 21APR2004
PRODUCT SPEC		
APPLICATION SPEC		
NOTE 7		
WEIGHT		
CUSTOMER DRAWING		

STE TE Connectivity

SUB D RECEPTACLE WITH WIRE BUSHING MDP TYPE

SIZE	CAGE CODE	DRAWING NO	RESTRICTED TO
A3	00779	C=135760	-

SCALE 2:1 SHEET 3 OF 5 REV H

THIS DRAWING IS UNPUBLISHED.

RELEASED FOR PUBLICATION

20

© COPYRIGHT 20

Tyco Electronics AMP GmbH

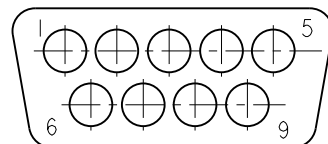
ALL RIGHTS RESERVED.

LOC F DIST 00

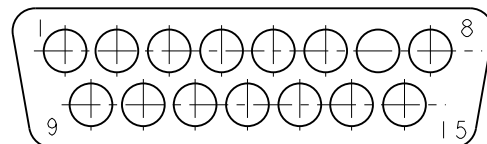
REVISIONS

P	LTR	DESCRIPTION	DATE	DWN	APVD
	-	SEE SHEET 1	-	-	-

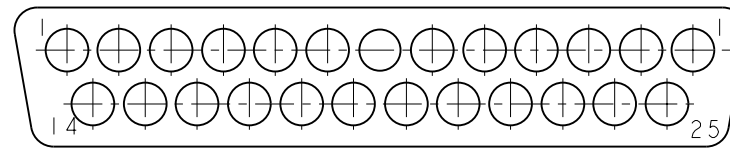
MATING FACE OF PLUG SHOWN CONFIGURATIONS FOR #20 CONTACTS



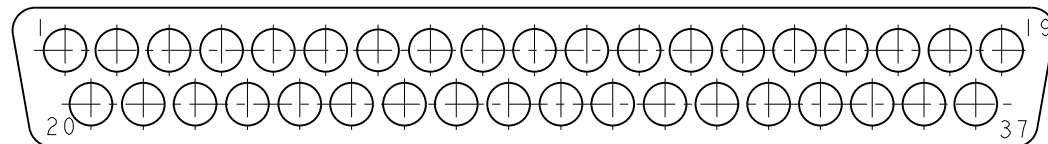
9 POSITION MS18273-1
SHELL SIZE 1



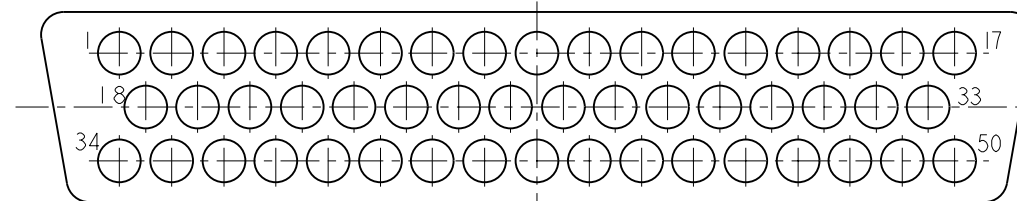
15 POSITION MS18274-1
SHELL SIZE 2



25 POSITION MS18275-1
SHELL SIZE 3

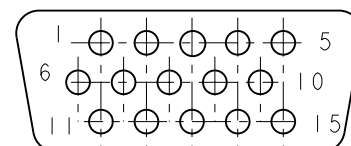


37 POSITION MS18276-1
SHELL SIZE 4

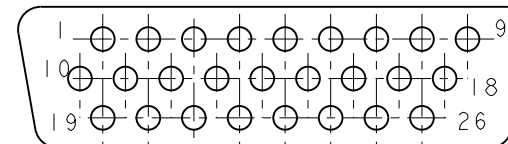


50 POSITION MS18277-1
SHELL SIZE 5

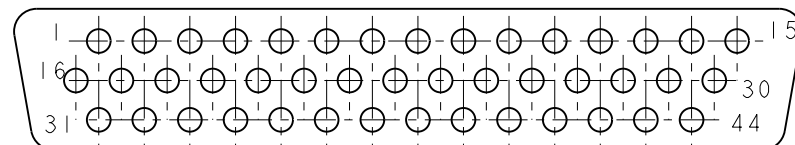
CONFIGURATIONS FOR #22 CONTACTS MATING FACE OF PLUG SHOWN



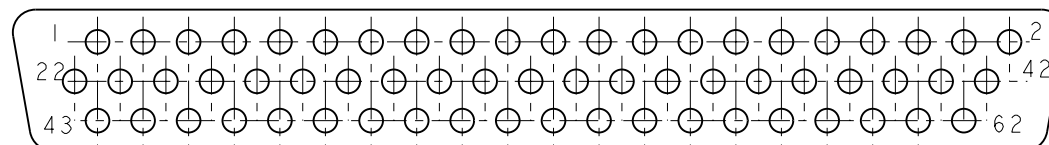
15 POSITION MS18273-2
SHELL SIZE 1



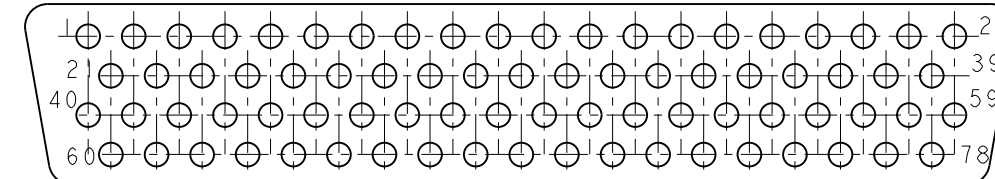
26 POSITION MS18274-2
SHELL SIZE 2



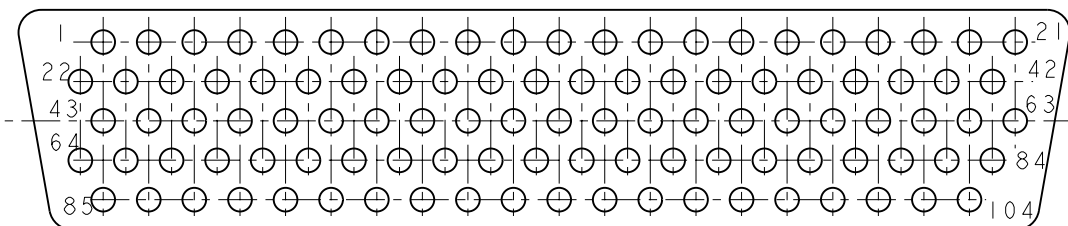
44 POSITION MS18275-2
SHELL SIZE 3



62 POSITION MS18276-2
SHELL SIZE 4


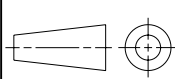


78 POSITION MS18277-2
SHELL SIZE 5



104 POSITION MS14004-1
SHELL SIZE 6

SEE NOTES ON LAST SHEET

THIS DRAWING IS A CONTROLLED DOCUMENT.		DWN 21APR2004 Thierry CORRIOU	 TE Connectivity
DIMENSIONS: mm		CHK 21APR2004 Yves PETRONIN	
TOLERANCES UNLESS OTHERWISE SPECIFIED:		APVD 21APR2004 Miguel FURIO	
		PRODUCT SPEC	
MATERIAL NOTE 3		FINISH NOTE 4	NAME SUB D RECEPTACLE WITH WIRE BUSHING MDP TYPE
CUSTOMER DRAWING		SCALE 1:1	RESTRICTED TO
		WEIGHT -	SIZE A3
			CAGE CODE 00779
			DRAWING NO. 135760
			SHEET 4 OF 5
			REV H

THIS DRAWING IS UNPUBLISHED. RELEASED FOR PUBLICATION 20

© COPYRIGHT 20 Tyco Electronics AMP GmbH ALL RIGHTS RESERVED.

LOC	DIST	REVISIONS					
		P	LTR	DESCRIPTION	DATE	DWN	APVD
F	00		-	SEE SHEET 1	-	-	-

1 THIS CONNECTOR MEETS THE REQUIREMENTS OF MIL-DTL-24308

2 PART NUMBER FOR ORDERING

3- MATERIALS :

- SHELL : STEEL,CD PLATED
- HOUSING : PBT,GLASS FILLED,UL94VO
- RETAINING CLIP : STAINLESS STEEL
- GROMMET AND INTERFACIAL SEAL : FLUOROSILICONE ELASTOMER
- SEALING COMPOUND : RTV
- CONTACT:COPPER ALLOY,GOLD PLATED OVER NICKEL

4- CABLES EXTERNAL DIAMETER FOR CONTACTS #20 : $\varnothing 0.85$ to $\varnothing 1.83$
 CABLES EXTERNAL DIAMETER FOR CONTACTS #22 : $\varnothing 1.37$ MAX

5- CONNECTOR MARKING:

- . MANUFACTURER IDENTIFICATION
- . PART NUMBER
- . DATE-CODE

6- INSERT ARRANGEMENT PER MIL-DTL-24308


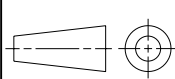
7- FOR CONTACT CRIMPING INSTRUCTION SHEET REFER TO SPEC IS 7516
 FOR CONTACT INSTALATION/ REMOVAL INSTRUCTION SHEET REFER TO SPEC IS 7508

8- #20 SOCKET CRIMP CONTACT P/N: 205090-1
 #20 PIN CRIMP CONTACT P/N: 205089-1

#22D SOCKET CRIMP CONTACT P/N: 204351-1
 #22D PIN CRIMP CONTACT P/N: 204370-2

9- INSERTION/EXTRACTION TOOL P/N: 91067-2
 INSERTION/EXTRACTION TOOL P/N: 91067-1

10- CRIMP WITH HAND TOOL: 601966-1+ DIE INSERT : 601966-4
 CRIMP WITH HAND TOOL: M22520/02-01 + POSITIONNER : M22520/02-06

THIS DRAWING IS A CONTROLLED DOCUMENT.		DWN Thierry CORRIOU 21APR2004	 TE Connectivity		
DIMENSIONS: mm		CHK Yves PETRONIN 21APR2004			
TOLERANCES UNLESS OTHERWISE SPECIFIED:		APVD Miguel FURIO 21APR2004	NAME SUB D RECEPTACLE WITH WIRE BUSHING MDP TYPE		
		PRODUCT SPEC -	RESTRICTED TO		
0 PLC ±0.13 1 PLC ±0.13 2 PLC ±0.13 3 PLC ± 4 PLC ± ANGLES ±1		APPLICATION SPEC NOTE 7	SIZE A3	CAGE CODE 00779	DRAWING NO C-135760
MATERIAL NOTE 3	FINISH NOTE 4	WEIGHT -	SCALE 1:1 SHEET 5 OF 5 REV H		
		CUSTOMER DRAWING			

Mouser Electronics

Authorized Distributor

Click to View Pricing, Inventory, Delivery & Lifecycle Information:

[TE Connectivity:](#)

[7-135760-9](#)