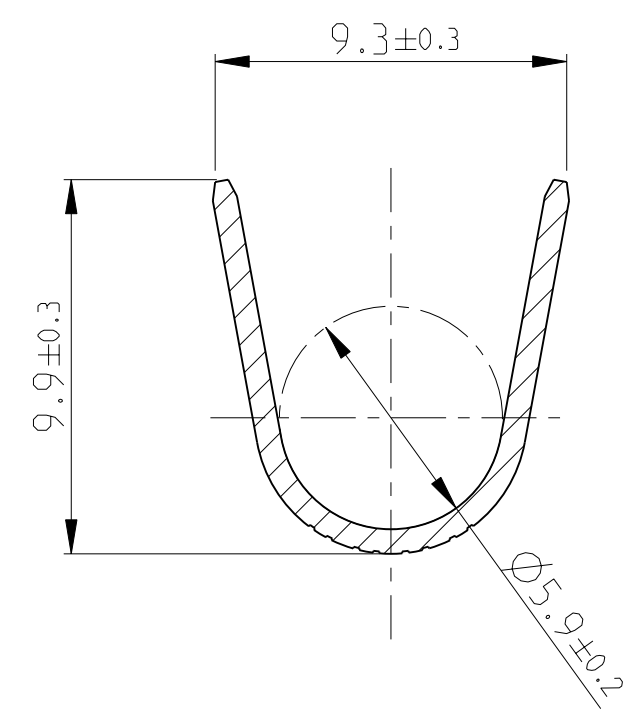
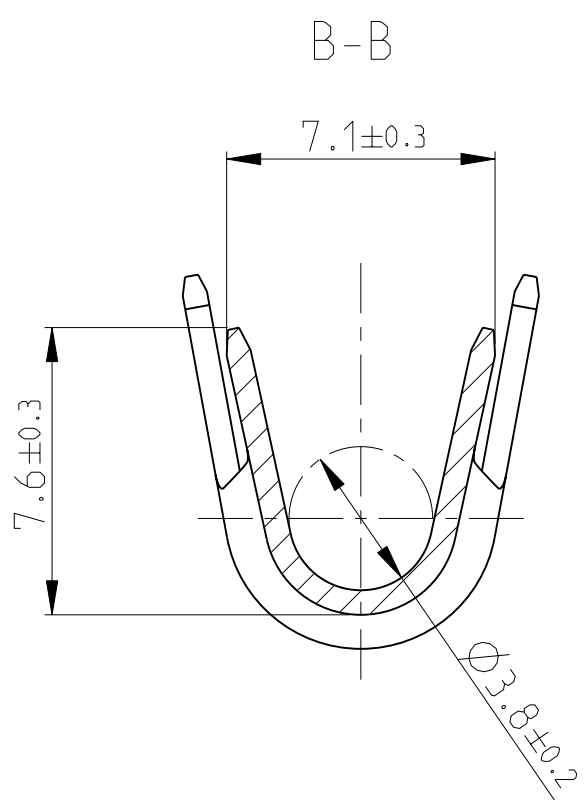
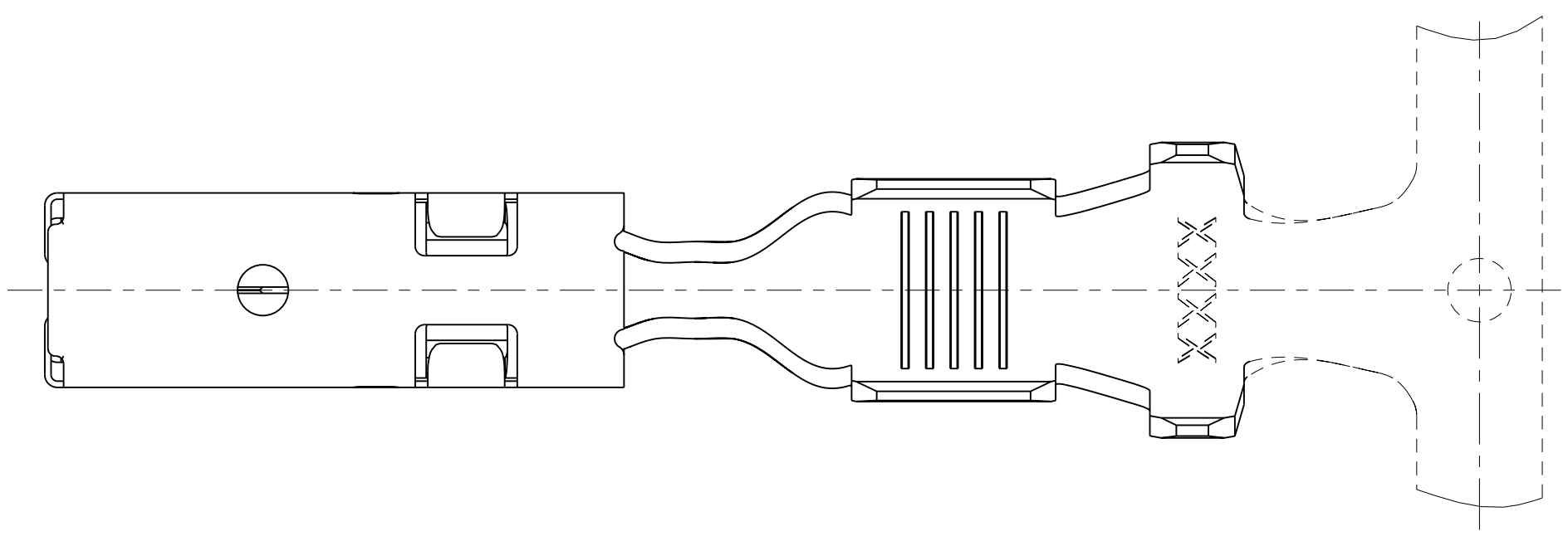
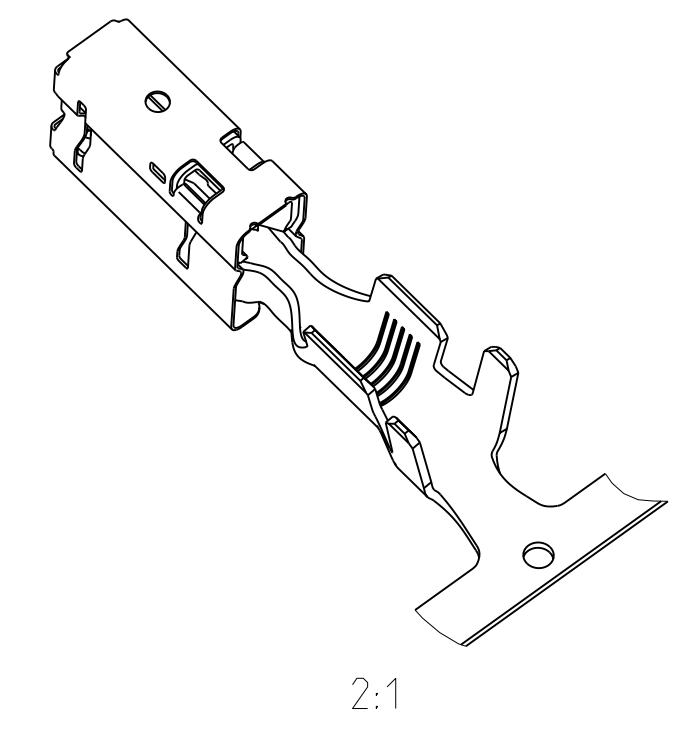
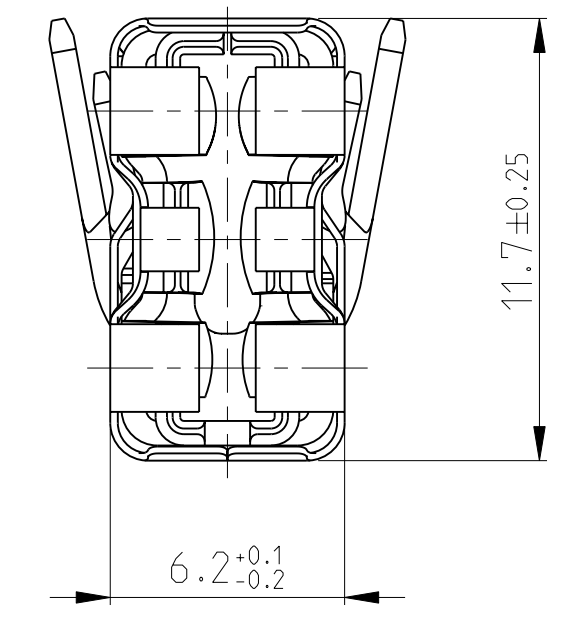
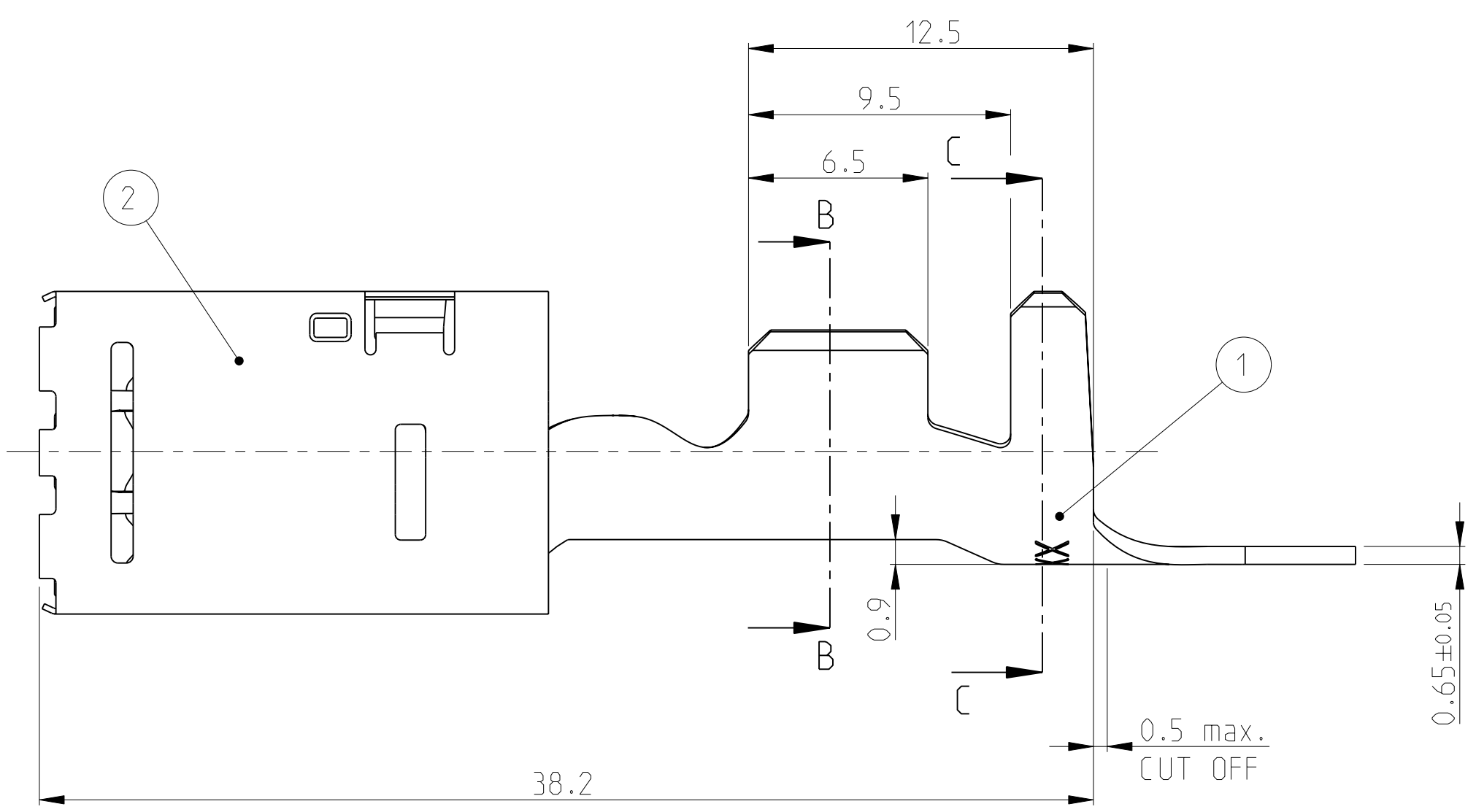


THIS DRAWING IS UNPUBLISHED. RELEASED FOR PUBLICATION 2008
 © COPYRIGHT 2008 BY TYCO ELECTRONICS CORPORATION. ALL RIGHTS RESERVED.

LOC	DIST	REVISIONS			
P	LTR	DESCRIPTION	DATE	DWN	APVD
A		NEW DWG.	29FEB2000	DJ	GM
B		UPDATE	24JUL2001	KR	DJ
B1		UPDATE	26MAY2008	Haas	Pfeil



REMARKS
Bemerkungen

- 1 MATING PART ACC. TO TE-SPEC.: 114-18317
Gegenstecker nach
- 2 ONLY FOR FLK WIRE SEE DIN 72551
Nur fuer FLK-Leitungen nach
- 3 SURFACE:
-PRE TIN PLATED 1-3 µm Oberflaeche: -verzinkt 1-3 µm
-GOLD PLATED MIN. 0.8 µm -galv. vergoldet min. 0.8 µm (ONLY CONTACT AREA) (nur Kontaktzone)
-SILVER PLATED 3-5 µm -galv. versilbert 3-5 µm (ONLY CONTACT AREA) (nur Kontaktzone)
- 4 APPLICATION TOOLS OF CONTACTS SEE APPLICATION SPEC.: 114-18269
Verarbeitungswerkzeuge der Kontakte siehe Verarbeitungsspezifikation.: 114-18269
- 5 DETAILS OF DESIGN ARE UP TO THE MANUFACTURER
Einzelheiten der Ausfuehrung sind dem Hersteller ueberlassen
- 6 ONLY GERMAN LANGUAGE VERSION SHALL BE BINDING
Nur der Deutsche Text ist bindend

1-1355849-1	6-10 mm ²	CuNiSi	PRE TIN PLATED vorverzinkt	B
TE ORDER-NO. Bestell-Nr.	WIRE SIZE RANGE Leiterquerschnitt	MATERIAL Werkstoff	SURFACE Oberflaeche	REV

<small>THIS DRAWING IS A CONTROLLED DOCUMENT FOR TYCO ELECTRONICS CORPORATION. IT IS SUBJECT TO CHANGE AND THE CONTROLLING ENGINEERING ORGANIZATION SHOULD BE CONTACTED FOR THE LATEST REVISION.</small>		DWN Jakobeit.D 29FEB2000 CHK Pfeilschiffer.M 27MAY2008 APVD Bleicher.M 27MAY2008	Tyco Electronics Tyco Electronics AMP GmbH 64625 Bensheim (Germany)	
DIMENSIONS: mm		PRODUCT SPEC 108-18630 APPLICATION SPEC 114-18269	NAME AMP MCP9.5 FLAT TYPE RECEPTACLE AMP MCP9.5 Buchsenkontakt; ASS'Y	
TOLERANCES UNLESS OTHERWISE SPECIFIED: 0 PLC ±0.2 1 PLC ± 2 PLC ± 3 PLC ± 4 PLC ±0.0001 ANGLES ± FINISH		WEIGHT - CUSTOMER DRAWING	SIZE A2 CAGE CODE 00779 DRAWING NO. 1355849	RESTRICTED TO - SCALE 5:1 SHEET 1 OF 1 REV B1

Mouser Electronics

Authorized Distributor

Click to View Pricing, Inventory, Delivery & Lifecycle Information:

[TE Connectivity:](#)

[1-1355849-1](#)