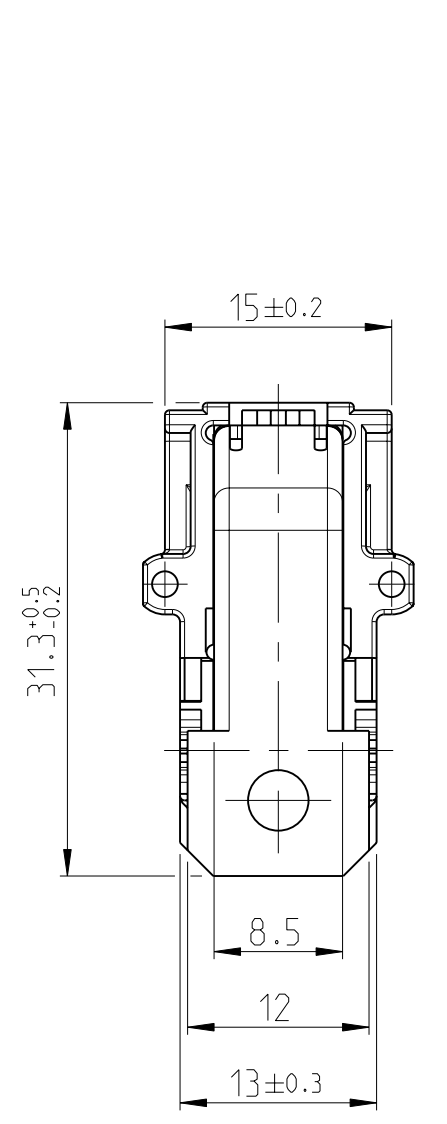
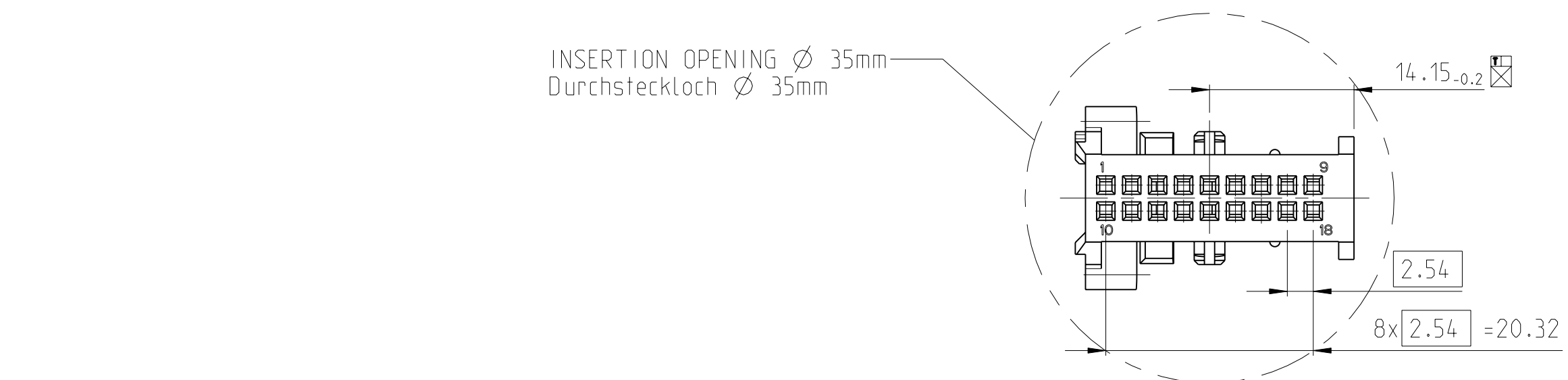


(SHOWN WITHOUT LEVER/ohne Hebel dargestellt)

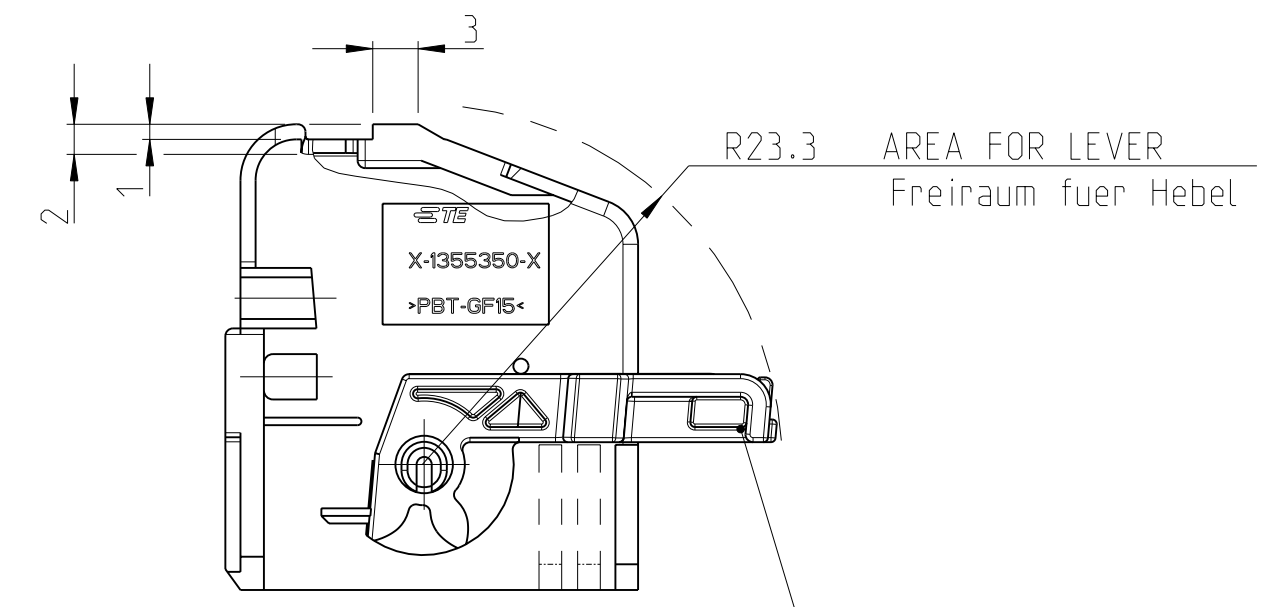
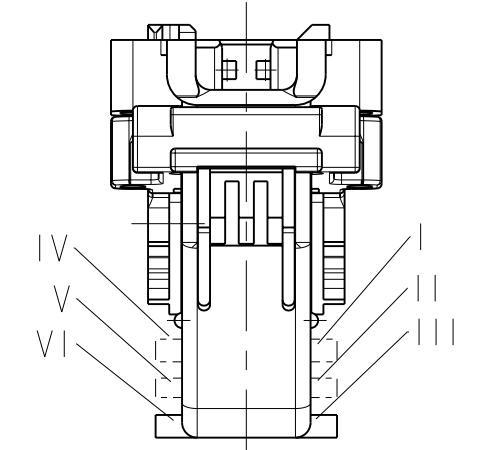
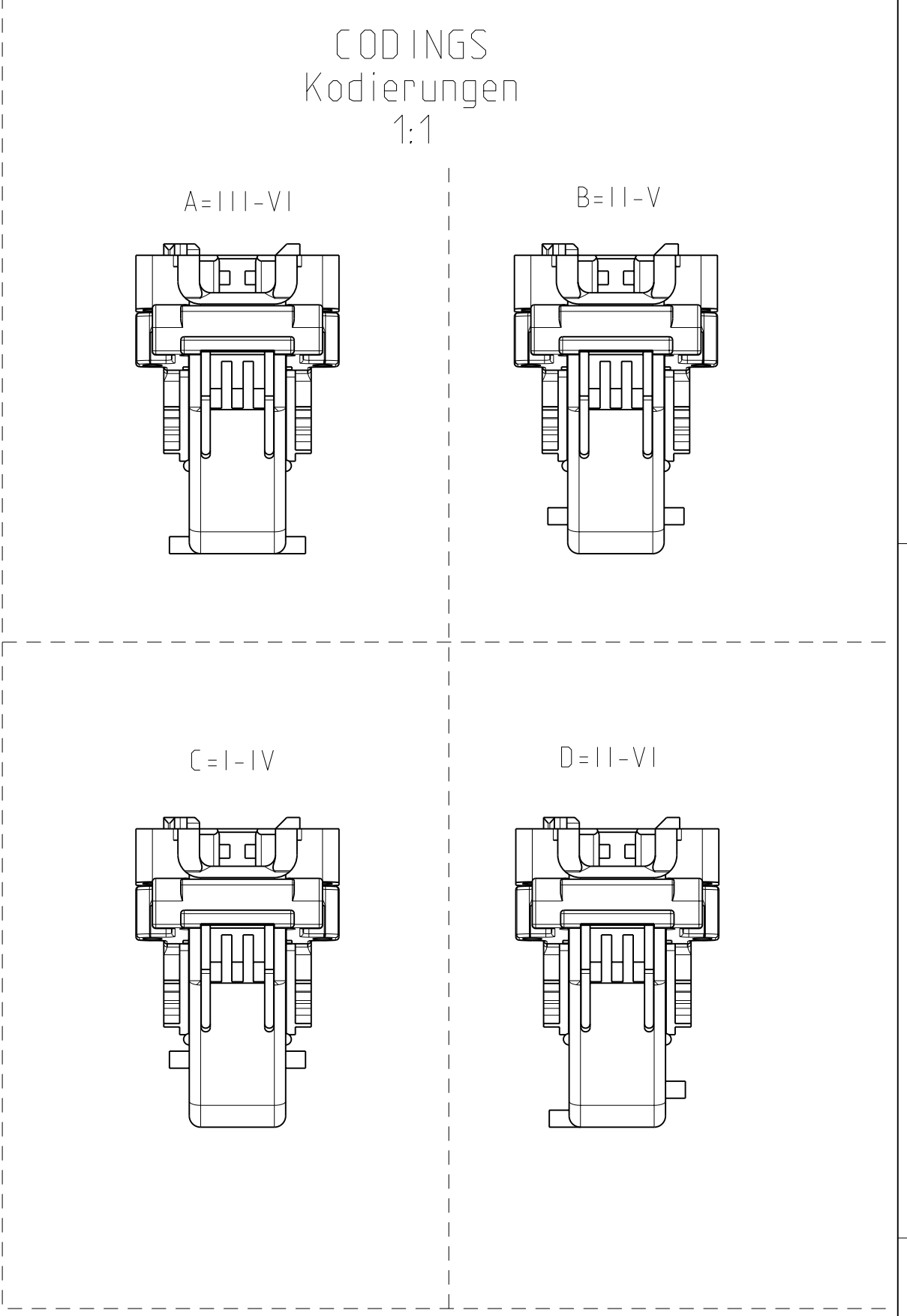
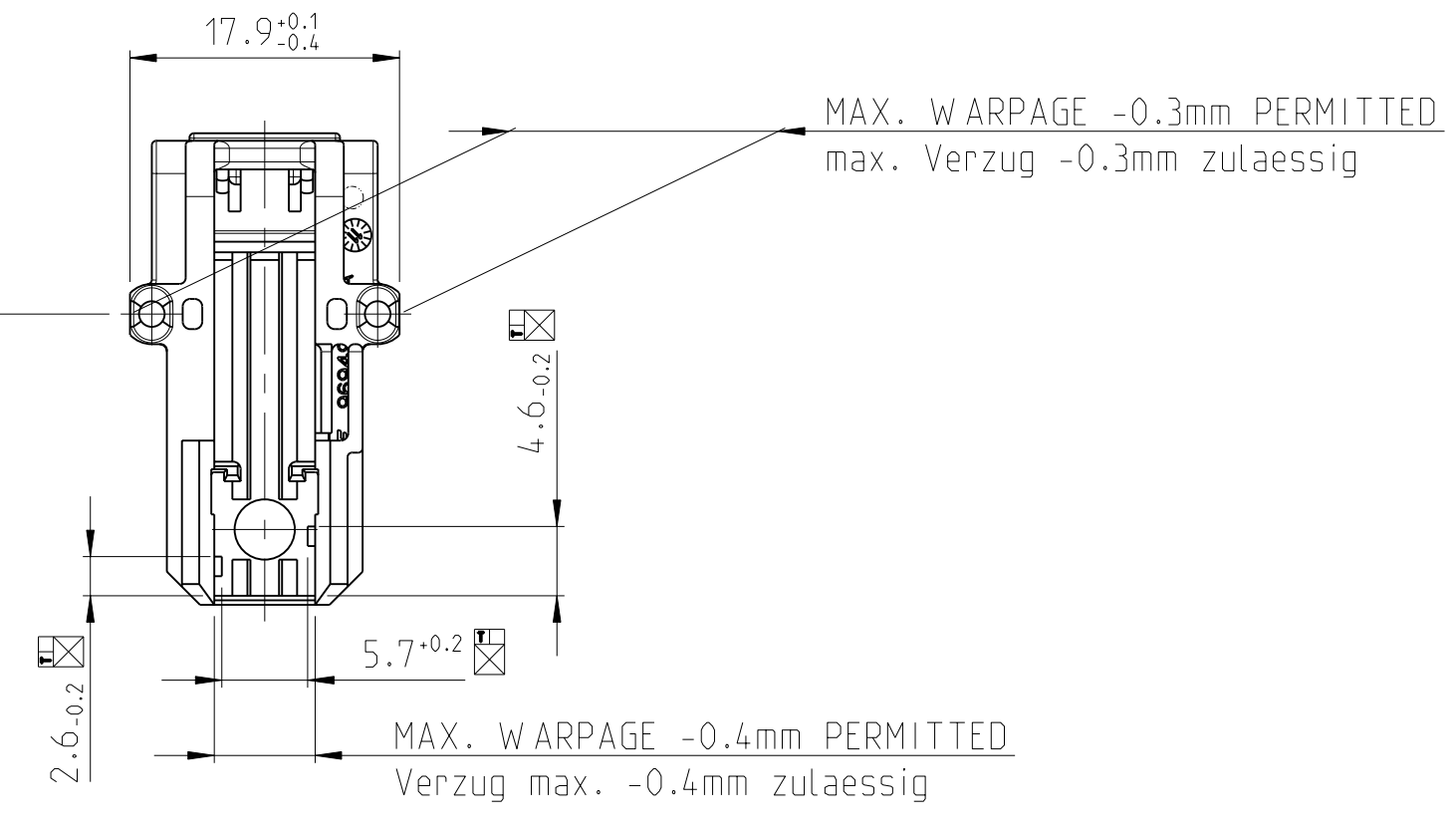
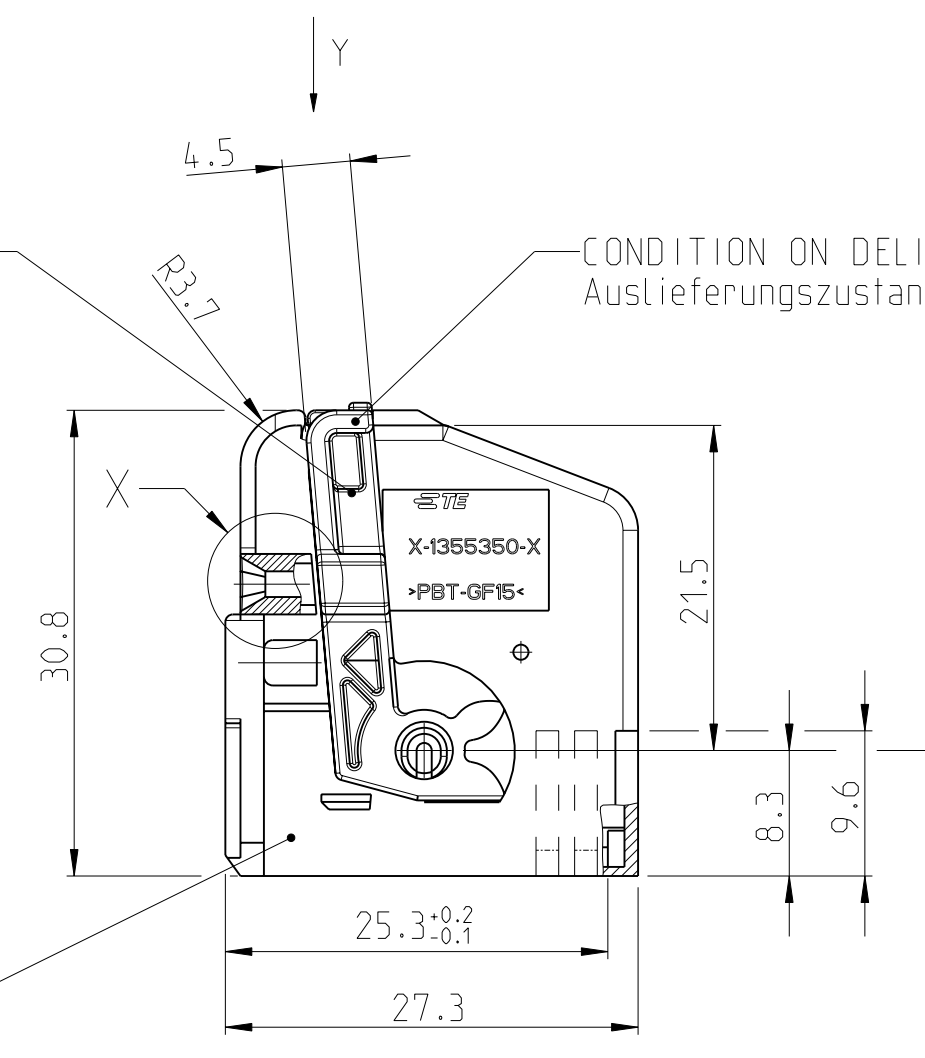
LOC	DIST	REV	DATE	BY	CHK	APPV
A1	-	A2	21MAR11	RK	HMR	
		A3	19APR12	VP	BF	



2 MATERIAL: TYPE /Ausführung PBT-GF20 (CRASTIN XMB 1086)

CONDITION ON DELIVERY LEVER IN ENDOCKED POSITION Auslieferungszustand Hebel in Endraststellung

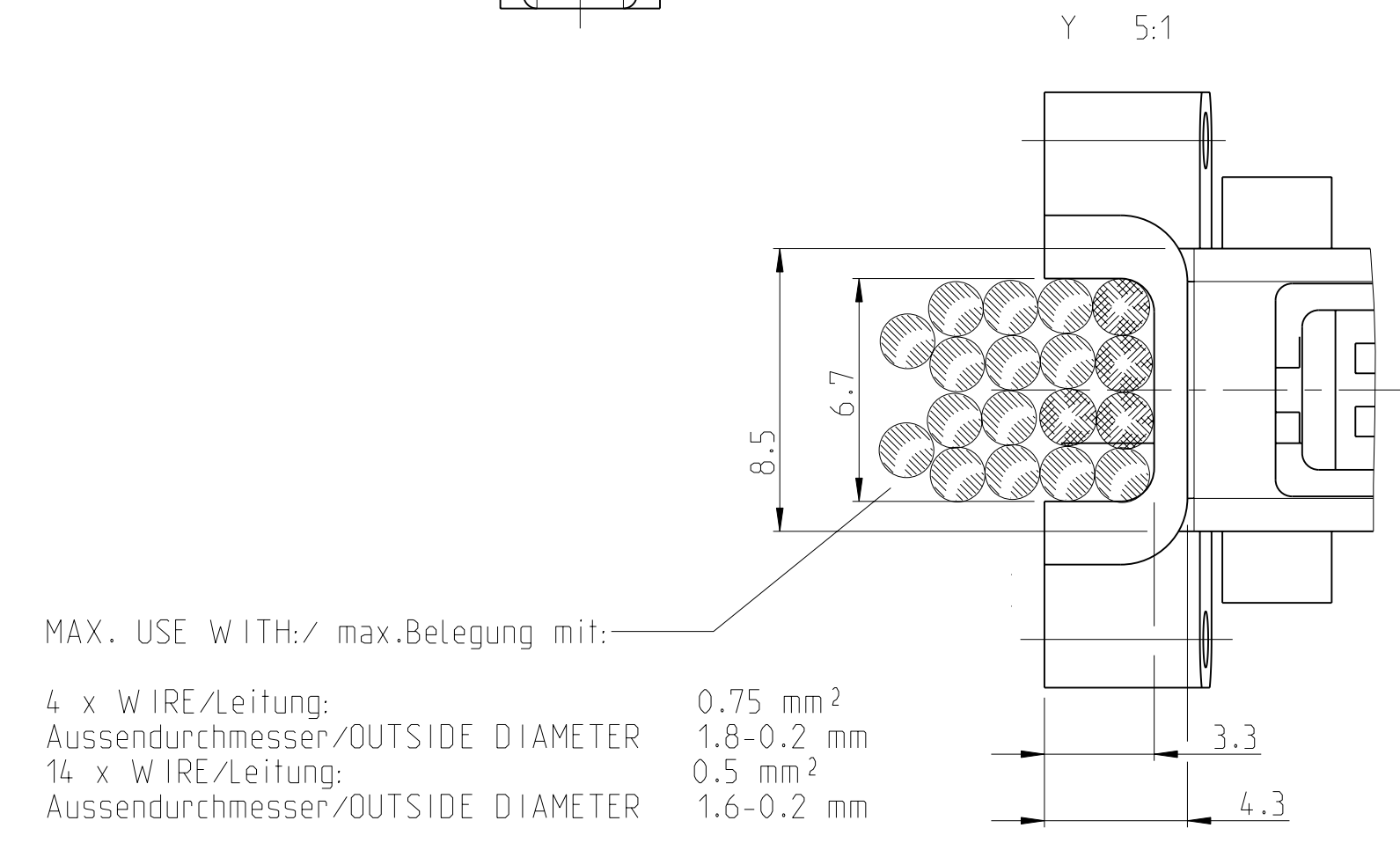
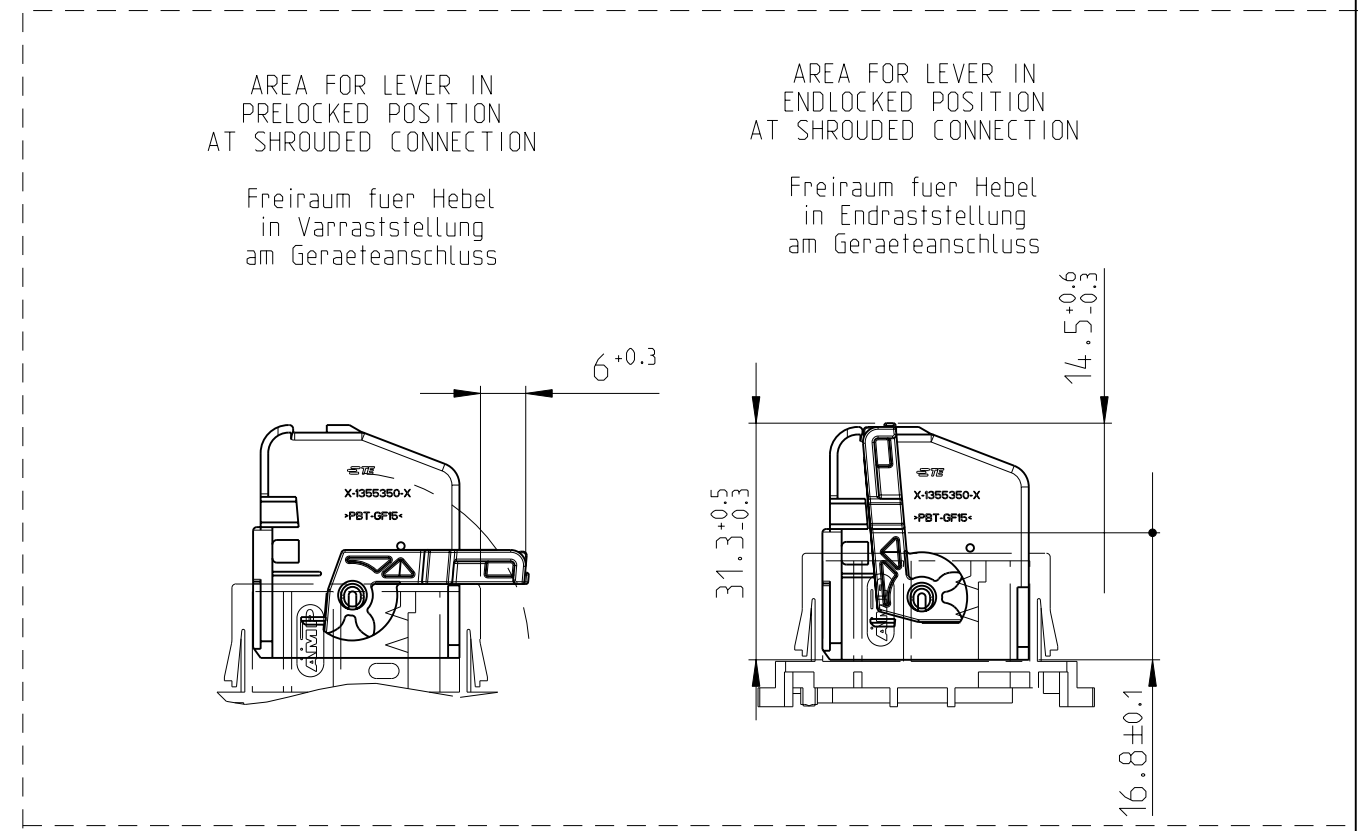
1 MATERIAL: PBT-GF15



ASSEMBLY: BRING LEVER IN PRELOCKED POSITION Montage: Hebel in Varraststellung bringen

- NOTES Bemerkungen
- ONLY THE GERMAN-LANGUAGE VERSION SHALL BE BINDING. Massgebend ist der deutsche Text.
 - PRODUCT SPECIFICATION: 108-18157-0. PRODUCT SPEZIFIKATION: 108-18157-0.
 - DETAILS OF DESIGN ARE LEFT TO MANUFACTURER. Einzelheiten der Ausfuehrung bleiben dem Hersteller ueberlassen.

1- -1 AS SHOWN wie gezeichnet



NOT TOOLED	4-1355350-1	A	D=III-VI	2	1	Hebel/LEVER	BLACK/schwarz	3.2	-	4-1355154-1
NOT TOOLED	3-1355350-1	A	C=I-IV	2	1	Abdeckkappe/SHIELD	BLACK/schwarz	3.2	-	3-1355154-1
-	2-1355350-1	A	B=II-V	2	1	Hebel/LEVER	BLACK/schwarz	3.2	-	2-1355154-1
-	1-1355350-1	A	A=III-VI	2	1	Abdeckkappe/SHIELD	NATURAL/natur	3.2	-	1-1355154-1
				1	1	Abdeckkappe/SHIELD	BLACK/schwarz	3.2	-	1-1355154-1

REMARKS	ORDER NO. BESTELL-NR	REV.	COD. KOD.	POS.	STK. QTY.	BENENNUNG DESCRIPTION	SURFACE OBERFLAECHE COLOUR/FARBE	GRAMM WEIGHT GEWICHT	SUITABLE FOR:/PASSEND ZU: PIN HEADER/Stiftwanne	SUITABLE FOR:/PASSEND ZU: RECEPTACLE HSG./Buchsengeh.

TOLERANCING ISO 8015 TOLERIERUNG ISO 8015

TOLERANCES UNLESS OTHERWISE SPECIFIED ACC. TO DIN 16901-10 CENTRIC TO NOMINAL DIMENSION. EDITION 1982-11 SHALL APPLY. Freimaßtoleranzen nach DIN 16901-10. Es gilt die Ausgabe 1982-11.

THIS DRAWING IS A CONTROLLED DOCUMENT. DIMENSIONING AND TOLERANCING PER GPS (ISO STANDARDS)

DIMENSIONS: MASSENMESSEN: mm

TOLERANCES UNLESS OTHERWISE SPECIFIED: TOLERANZEN UNLESS OTHERWISE SPECIFIED: ALZUMERKUNGSZWECKEN

9 PLC ±0.1
1 PLC ±0.2
2 PLC ±0.3
3 PLC ±0.4

FINISH SURFACE/FARBE

SCALE: MASSSTAB 2:1

SHEET 1 OF 1

REV. A3

TE Connectivity

MICRO QUADLOCK SYSTEM SHIELD FOR REC. HOUSING, 18POSN.ASSY
Micro Quadlock System, Abdeckkappe fuer r buchsengeh., 18 pol.

SIZE: A1 00779
CAGE CODE: 1355350
DRAWING NO.: 1355350

Mouser Electronics

Authorized Distributor

Click to View Pricing, Inventory, Delivery & Lifecycle Information:

[TE Connectivity:](#)

[2-1355350-1](#)