

LOC	DIST	REVISIONS			
A1	-	REV	DATE	BY	APPV
PROJECT NO.	M9	REVISED PER ECO-11-005150	14APR2011	RK	HMR
	M10	Swage in insulation area section C-C corrected.	01JUN2011	Jirs.	Merz
	M11	929990-4 SUPERSEDED BY 929990-1	17JUN2016	JJH	MC

1 PRE TINNED
vorverzinkt 1-2 µm

2 FINISH: ELECTROPLATED SILVER
Oberfläche: galvanisch versilbert

ZONE "A": MIN 1-3 µm Ag
min 1-3 µm Ag

ZONE "B": MIN 1-3 µm ELECTROPLATED SN
min 1-3 µm galvanisch Sn

REST: SILVER OR TIN ALLOWED. IN TRANSITION AREAS
OVERLAPPING LAYER OR PLAIN SURFACES ARE NOT ALLOWED.
Silber oder Zinn erlaubt. Im Übergangsbereich sind keine
überlappenden Schichten oder blanke Stellen erlaubt.

3 PLAIN
blank

4 FINISH: ROLL-CLAD GOLD
Oberfläche: walzplattiert Gold

ZONE "A": MIN 1.2 µm AuNi5 OVER 10±2 µm Ni INTERFACE LAYER
min 1.2 µm AuNi5 ueber 10±2 µm Zwischenschicht

REST: MIN. 1-2 µm ELECTROPLATED Sn
min. 1-2 µm galvanisch Sn

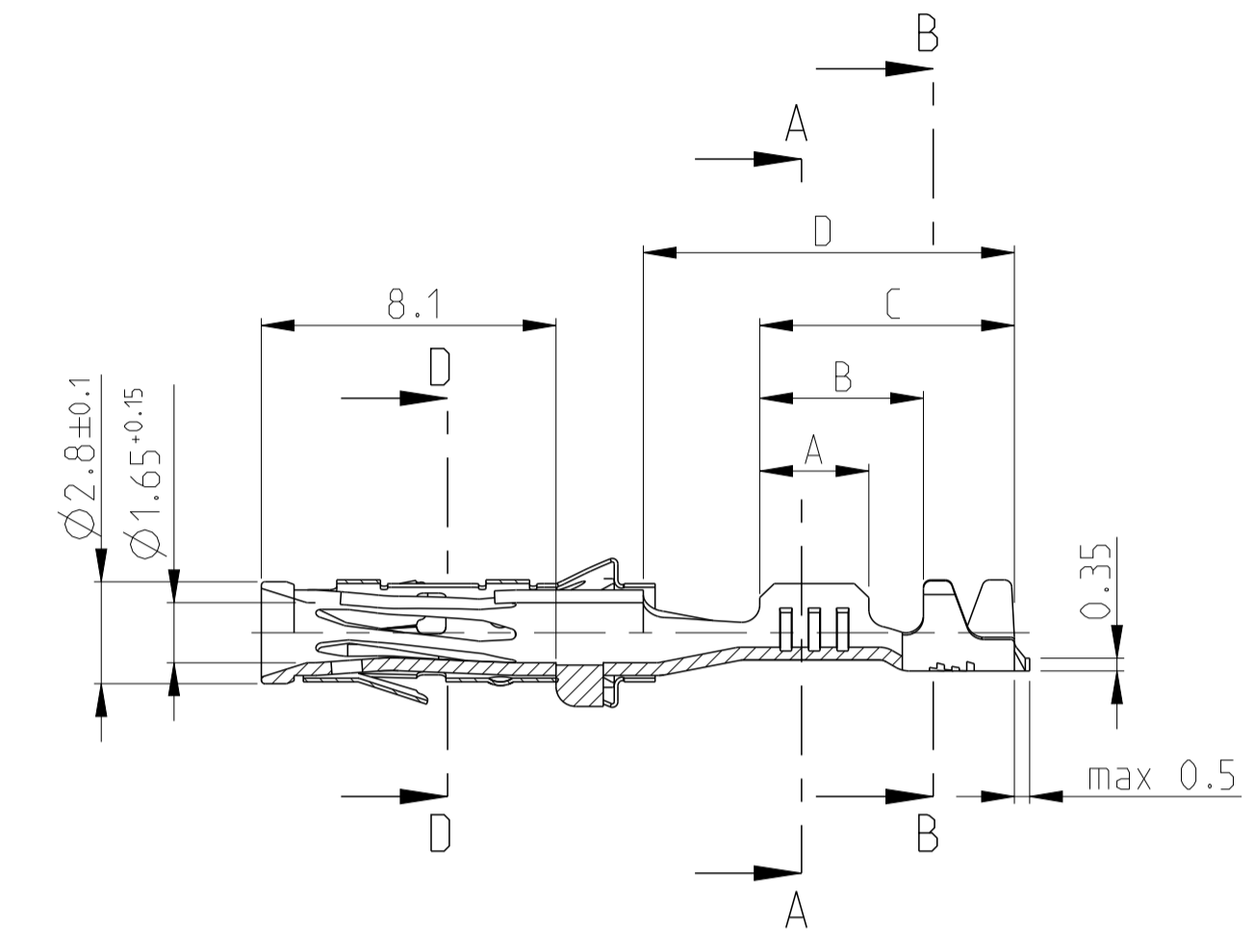
5 FINISH: ELECTROPLATED GOLD
Oberfläche: galvanisch vergoldet

ZONE "A": MIN 0.8 µm ELECTROPLATED Au OVER MIN 1.3 µm ELECTROPLATED Ni LAYER
AT CONTACT AREA
min 0.8 µm galvanisch Au ueber min 1.3 µm galvanisch Ni Zwischenschicht
im Kontaktbereich

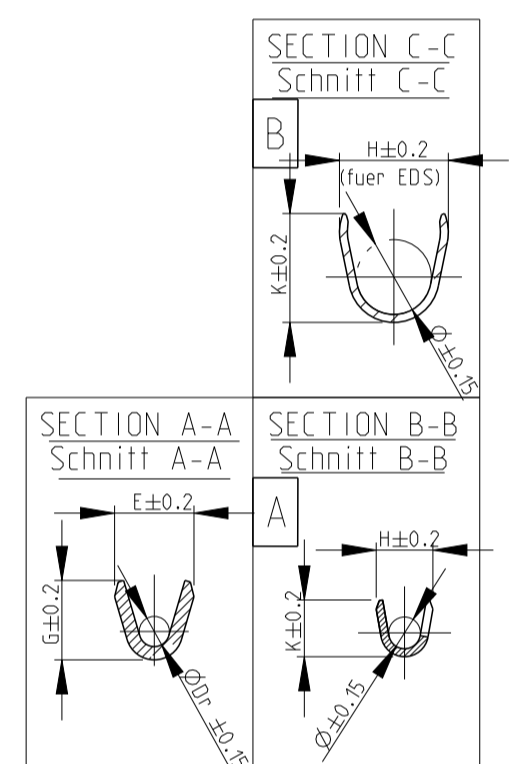
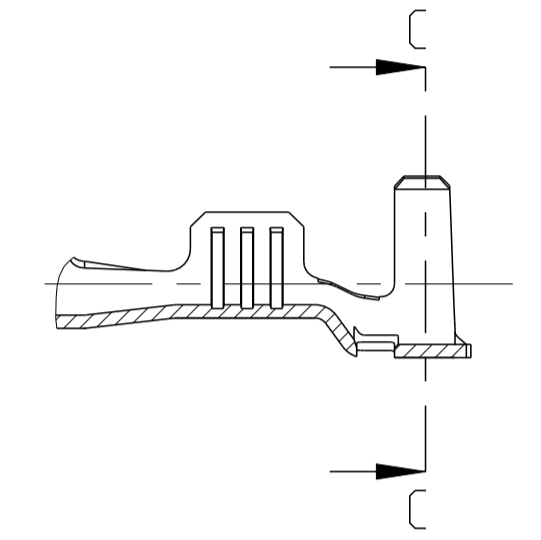
ZONE "B": MIN 1-2 µm ELECTROPLATED Sn OVER MIN 0.05 µm ELECTROPLATED Ni LAYER
min 1-2 µm galvanisch Sn ueber min 0.05 µm galvanisch Ni Zwischenschicht

REST: Au, Sn OR Ni SURFACE. NO PLAIN SURFACES ALLOWED.
Au, Sn ober Ni Oberfläche. Keine blanken Stellen erlaubt.

VERSION A
(UNSEALED / ungedichtet)



VERSION B
(SINGLE WIRE SEAL-SYSTEM /
Einzel-Dichtungs-System)
DGB 0.5 - 2.5 mm



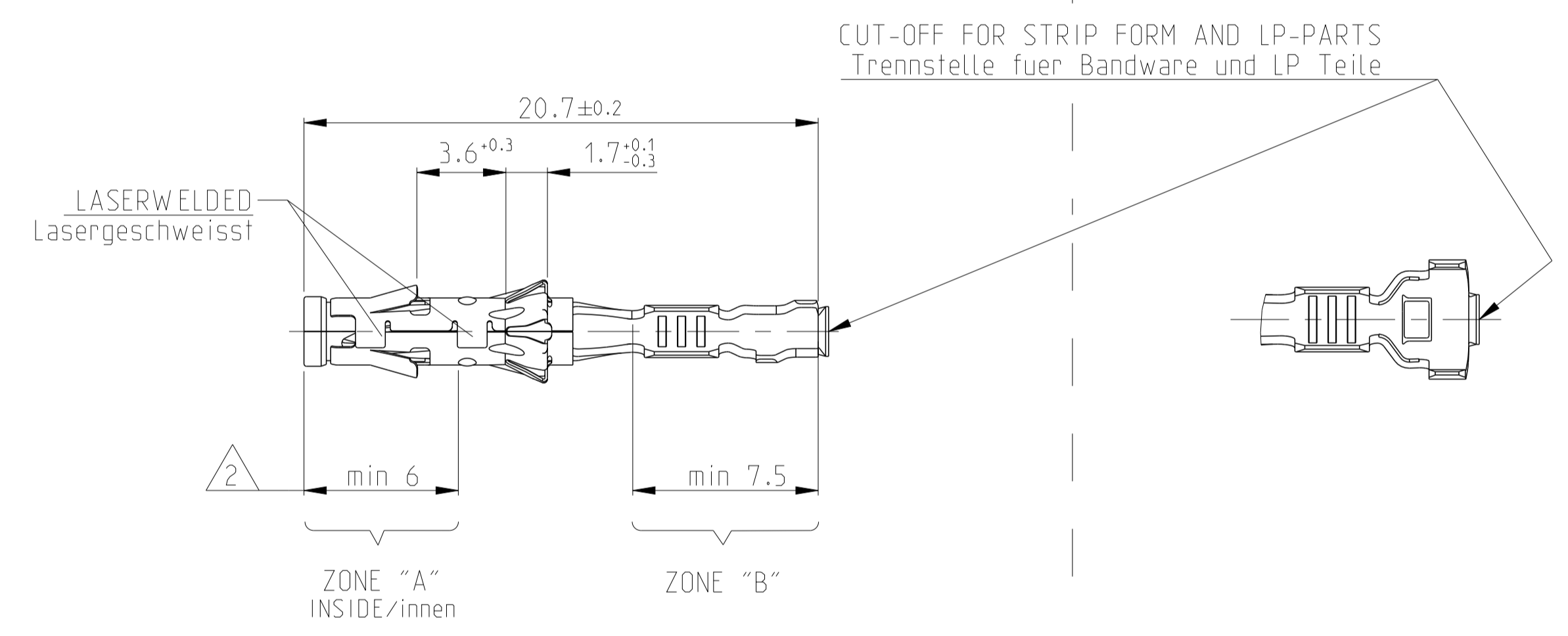
ORDER-No.
SINGLE SEAL
Einzeldichtung

ORDER-No.
DEAD END PLUG
Blindstopfen

M11	Version B (SINGLE WIRE SEAL-SYSTEM / Einzel-Dichtungs-System)	1-929990-0	1-962999-0	K	CuNi18Zn20	3	>1.0-2.5 FLR	2.2-3.0	E=3.6 G=3.8 Ø _{Dr} =1.7	B	H=5.0 K=5.0 Ø=3.6	4	7.2	8.7	10.4	828905-1	828922-1	
		929990-7	962999-7	K	CuNiSi	2												
		929990-4 SUPERSEDED BY 929990-1	962999-4	K	CuFe2	1												
		929990-3	-	K	CuNiSi	4												
		929990-1	962999-1	K	CuNiSi	1												
		1-929989-0	1-962998-0	A	CuNi18Zn20	3												
		929989-8	962998-8	A	CuNiSi	5												
		929989-7	962998-7	A	CuNiSi	2												
		929989-4	962998-4	M	CuFe2	1												
		929989-1	962998-1	M	CuNiSi	1												
		929988-4	962997-4	J	CuFe2	1												
		929988-2	962997-2	K	CuNiSi	2												
		929988-1	962997-1	J	CuNiSi	1												
		929987-4	962996-4	L	CuFe2	1												
		929987-1	962996-1	L	CuNiSi	1												
		929986-4	962995-4	L	CuFe2	1												
		929986-1	962995-1	L	CuNiSi	1												
		929985-4	962994-4	J	CuFe2	1												
		929985-1	962994-1	J	CuNiSi	1												

Version A (UNSEALED / ungedichtet)	929987-4	962996-4	L	CuFe2	1	>1.0-2.5 FLR	1.9-3.0	E=3.6 G=3.8 Ø _{Dr} =1.7	A	H=4.3 K=4.5 Ø=2.6	4	5.5	8.5	10.2
		929987-1	962996-1	L	CuNiSi									
	929986-4	962995-4	L	CuFe2	1									
	929986-1	962995-1	L	CuNiSi	1									
	929985-4	962994-4	J	CuFe2	1									
	929985-1	962994-1	J	CuNiSi	1									

ORDER-NO. STRIP FORM Bandware	ORDER-NO. LOOSE PIECE Einzelausführung	REV.	MATERIAL Werkstoff	SURFACE Oberfläche	DGB [mm 2]	ISOL. Ø [mm]	WIRE CRIMP Drahtcrimp	INSUL.-CRIMP Isol.-Crimp	A	B	C	D
							CRIMP DIMENSION (mm) Crimpabmessungen (mm)					



THIS DRAWING IS A CONTROLLED DOCUMENT. DWN Abraham.G. 17OCT2003
CHK Goedel.C. 18OCT2003

STE TE Connectivity

DIMENSIONS: MASSENMEN (mm) TOLERANCES UNLESS OTHERWISE SPECIFIED: ALGEMEINTOLERANZ

0 PLC ±0.15
1 PLC ±0.1
2 PLC ±0.1
3 PLC ±0.1
4 PLC ±0.1

FINISHES: FINISCHBEREICHUNG

ANGLE SWING ±1.5°

MATERIAL: -

WEIGHT GEWICHT 0.4g

CUSTOMER DRAWING /KUNDENZEICHNUNG SCALE MASSTAB 5:1 SHEET BLATT 1 OF 1 REV M11

NAME: Bleicher M. 22OCT2003
PRODUCT SPEC: 108-18028
APPLICATION SPEC: VERÄNDERUNGSPR. 114-18040

SIZE: A1
CAGE CODE: 00779
DRAWING NO.: 1355063

RESTRICTED TO: NUR FÜR: -

Mouser Electronics

Authorized Distributor

Click to View Pricing, Inventory, Delivery & Lifecycle Information:

[TE Connectivity:](#)

[929990-1](#)