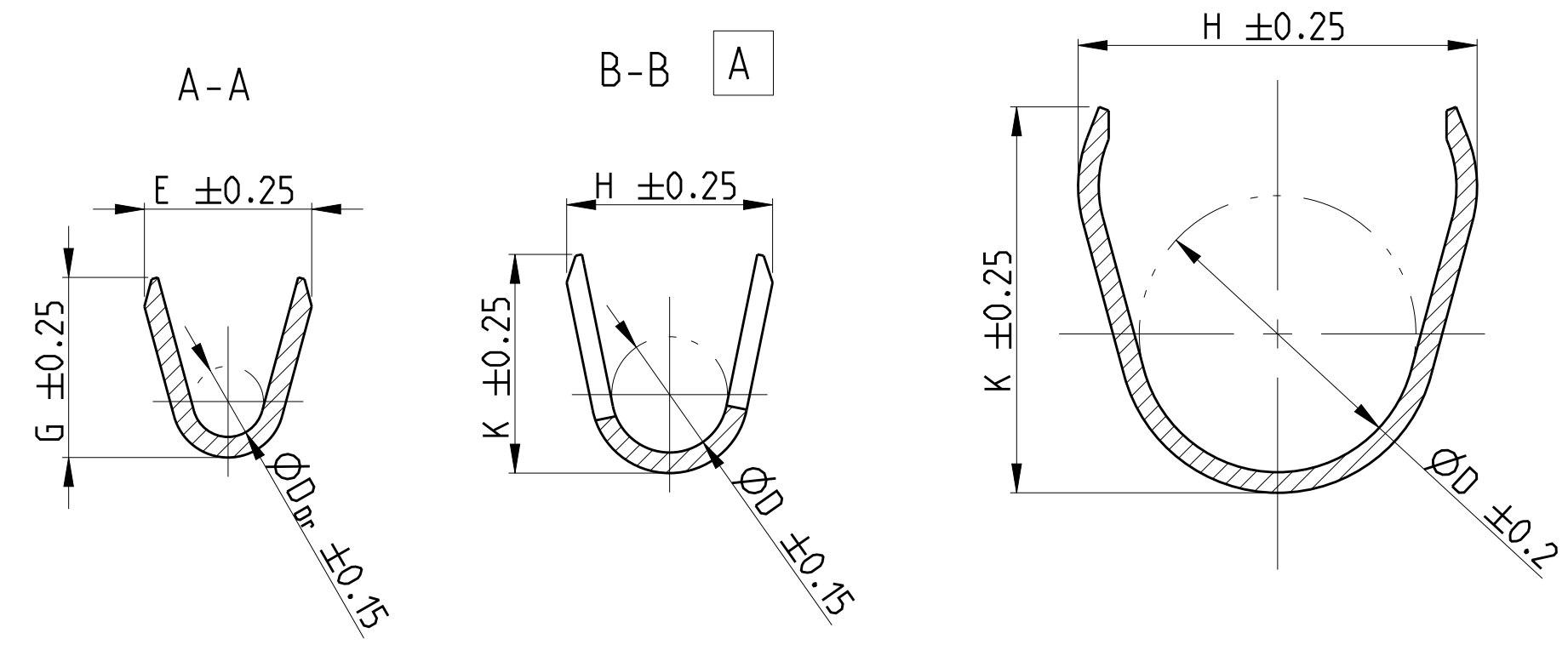
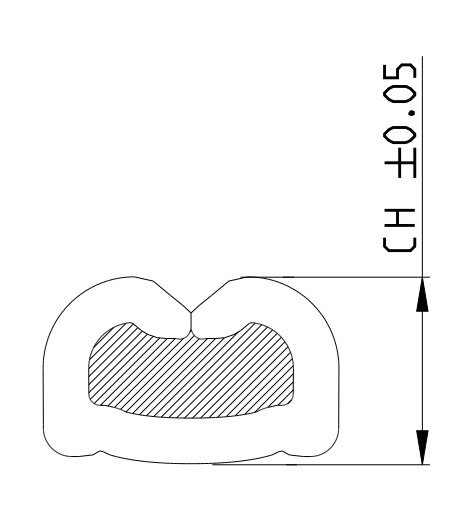


STRIP FORM  
Bandware



WIRE CRIMP  
Drahtcrimp

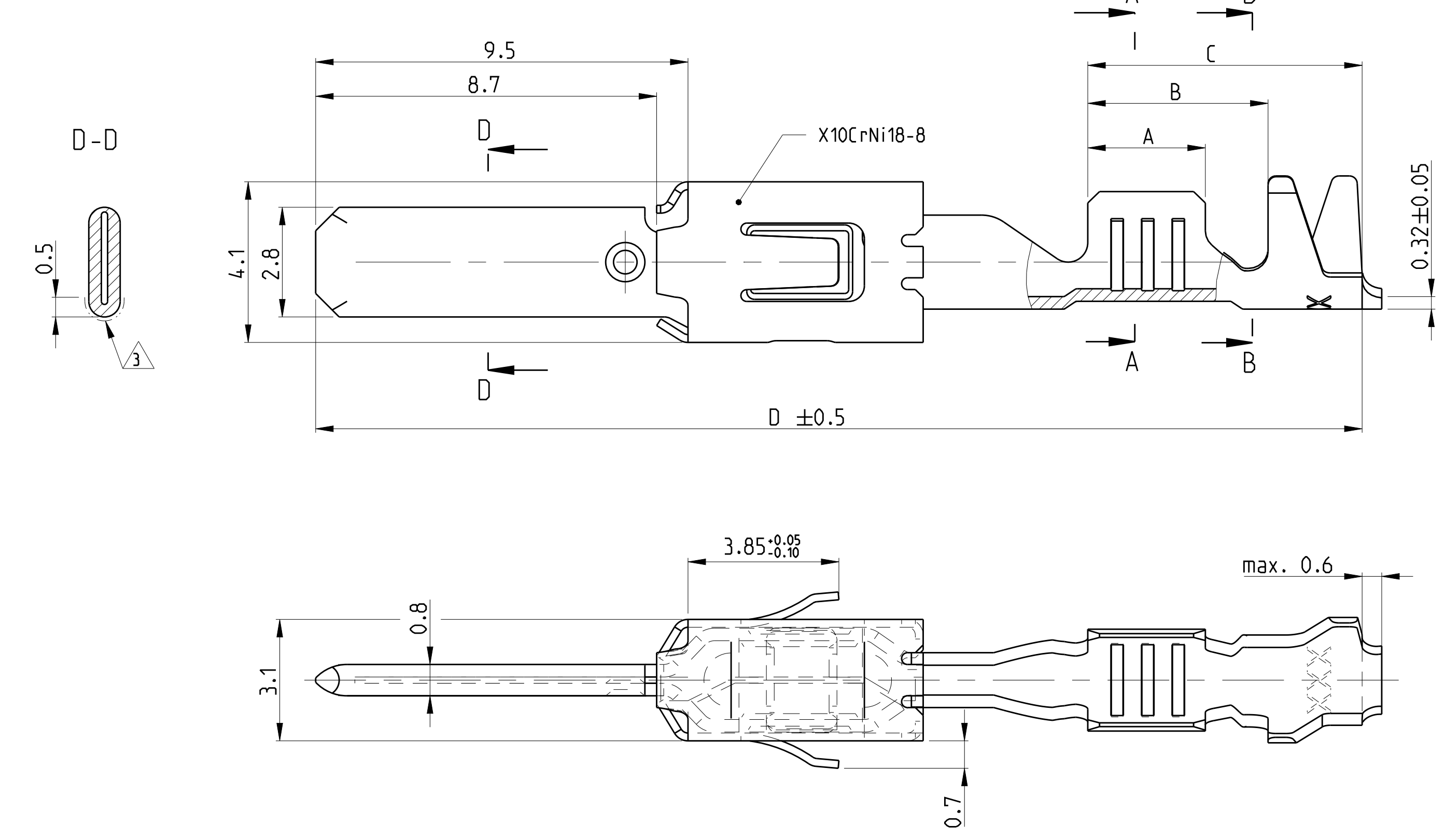


- 1 CONTACT AREA PRE SILVER MIN. 3µm  
CANTILEVER SPRING PLAIN  
Kontaktzone vorversilbert min. 3µm  
Ueberfeder blank
- 2 CONTACT BODY NI-PLATING MIN. 0.5µm; CONTACT AREA PRE-GOLD MIN. 0.6µm  
OVER NICKEL; CRIMP AREA PRE-TIN  
CANTILEVER SPRING PLAIN  
Kontaktkoerper vernickelt min. 0.5µm; Kontaktzone vorvergoldet min. 0.6µm ueber Nickel  
Crimpzone vorverzinkt; Ueberfeder blank
- 3 IN THIS AREA CRACK SHAPING AT THE SURFACE PERMISSIBLE  
In diesem Bereich Rissbildung in der Oberflaeche zulassig
- 4 PRE-TIN MIN. 1µm; CANTILEVER SPRING PLAIN  
vorverzinkt min. 1µm; Ueberfeder blank

- AWG 12 TXL 828905-1 OR / oder 282536-1  
AWG 12 GXL 638865-1
- ATTENTION! CONSTRUCTION OF THE CONTACT CAVITY IN THE AREA OF THE SINGLE WIRE SEAL IS  $\phi 6.4^{+0.1}_{-0.05}$   
Achtung! Die Kammer ist im Bereich der Einzeldichtung auf  $\phi 6.4^{+0.1}_{-0.05}$  auszuliegen
- PUNCHED WITH VOLATILIZING STAMPING-OIL  
Gestanz mit verfluechtigendem Stanzoel

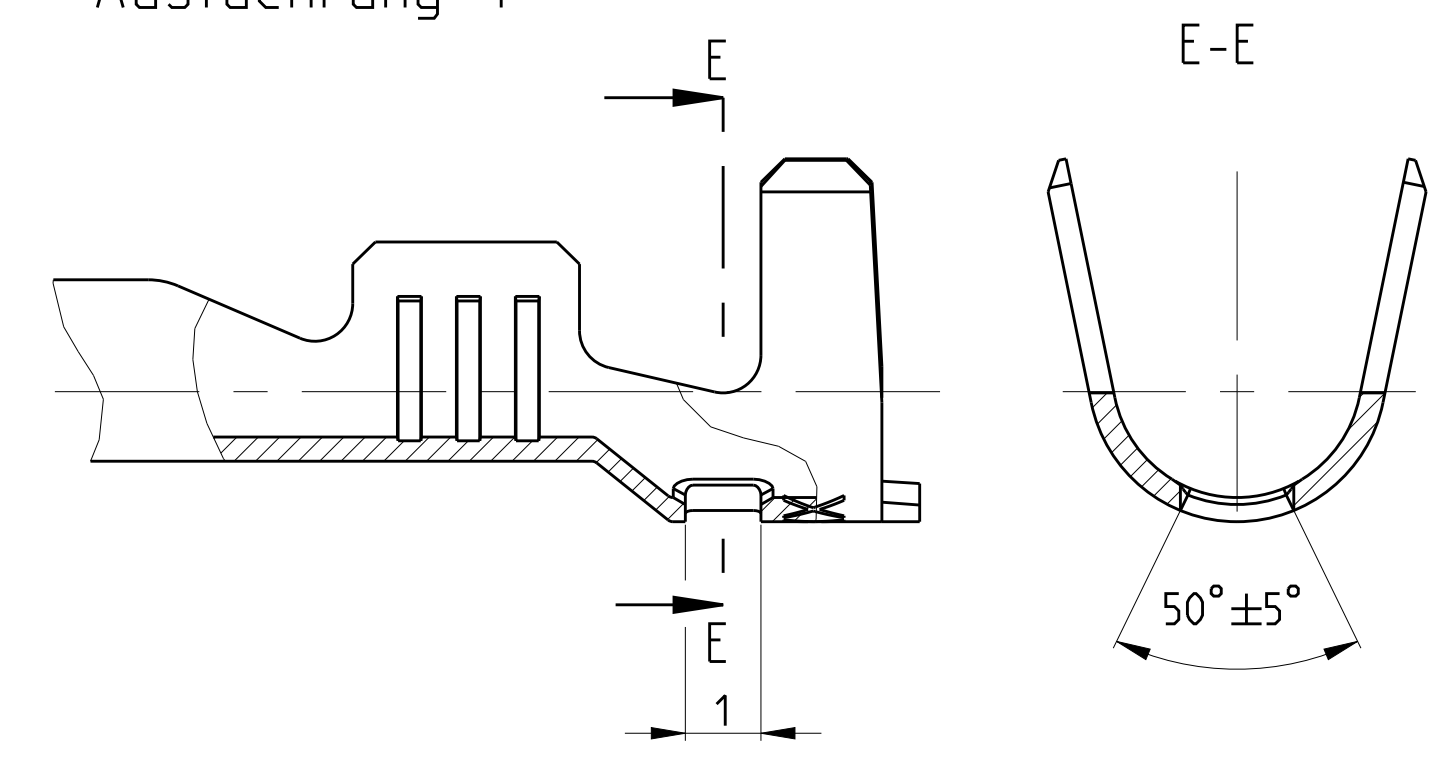
FLR-/FLK-WIRE  
FLR-/FLK-Leitung

DESIGN 1  
Ausfuehrung 1

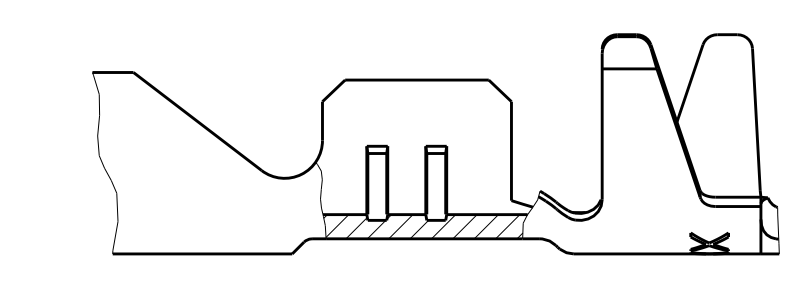


SINGLE WIRE SEAL  
Einzeldichtungssystem

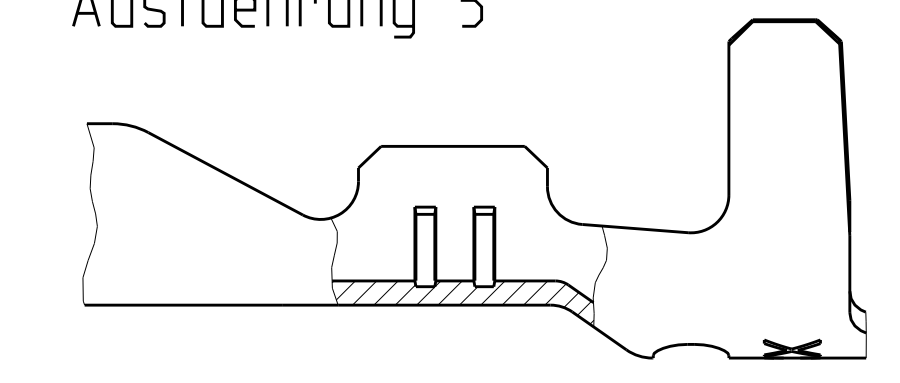
DESIGN 4  
Ausfuehrung 4



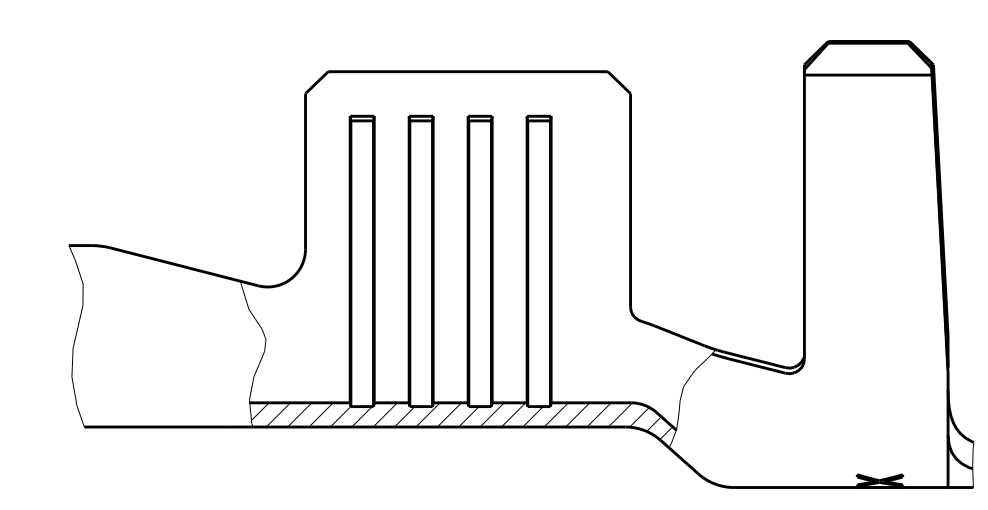
DESIGN 2  
Ausfuehrung 2



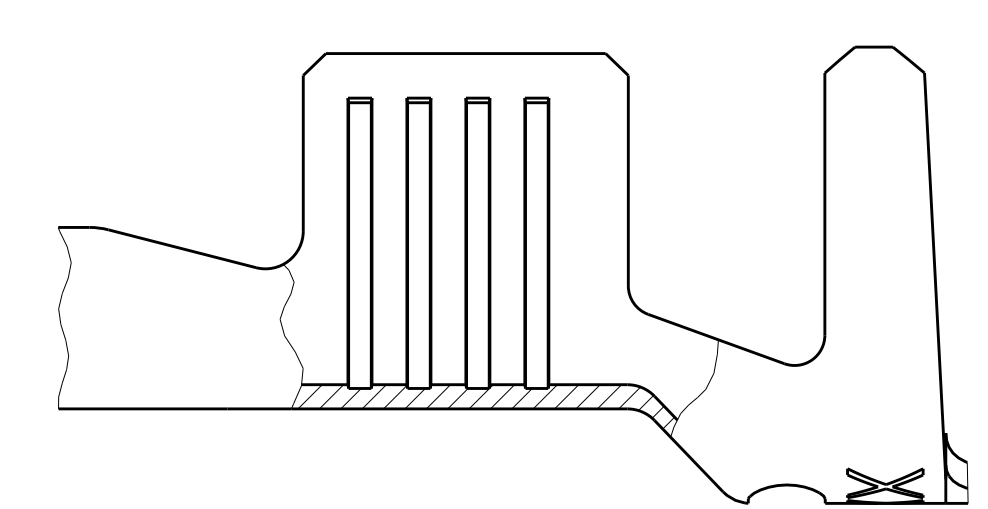
DESIGN 5  
Ausfuehrung 5



DESIGN 3  
Ausfuehrung 3



DESIGN 6  
Ausfuehrung 6



SINGLE WIRE SEAL / Einzeldichtungssystem	REV	DESIGN	MATERIAL	SURFACE	DGB	INSULATION	SEE / siehe SECTION A-A Schnitt A-A	SEE / siehe SECTION B-B Schnitt B-B	SEE / siehe WIRE CRIMP Drahtcrimp	APPLICATION TOOL	HAND TOOL	A	B	C	D	TE	TE	
							12 AWG	H = 5.3 K = 5.0 D = 3.6	AWG 12 = 2.0									1852291-3
UNSEALED / ungedichtet	1-1719504-2	A	4	CuSn4	△	max. 3.0	E = 4.0 G = 4.2 D <sub>Dr</sub> = 2.0	H = 5.3 K = 5.0 D = 3.6	AWG 12 = 2.0	1852291-3	-	3.5	6.0	7.6	26.8	△	828922-1	
	3-968947-1	A	4	CuSn0.20	△	2.5 - 4.0	E = 4.5 G = 4.7 D <sub>Dr</sub> = 2.3	H = 6.2 K = 6.0 D = 4.3	4.0 mm <sup>2</sup> = 2.25	MQC APPLICATOR	539635-1	4.3	6.9	8.5	28.5	828985 (Ø6.4)	828986-1	
	2-968947-2	A	6	CuFe	△					MQC APPLICATOR	539727-2							
	2-968947-1	A	6	CuSn4	△	1.0 - 2.5	E = 3.6 G = 3.8 D <sub>Dr</sub> = 1.7	H = 5.3 K = 5.0 D = 3.6	2.5 mm <sup>2</sup> = 1.88 2.0 mm <sup>2</sup> = 1.73 1.5 mm <sup>2</sup> = 1.58	MQC APPLICATOR	734440-1	3.5	6.0	7.6	26.8	828905 (Ø5.0)	828922-1	
	1-968947-2	A	6	CuFe	△					MQC APPLICATOR	2-878560-2							
	1-968947-1	A	6	CuSn4	△	0.5 - 1.0	E = 2.6 G = 2.9 D <sub>Dr</sub> = 1.2	H = 5.0 K = 4.8 D = 3.3	1.0 mm <sup>2</sup> = 1.36 0.75 mm <sup>2</sup> = 1.27 0.5 mm <sup>2</sup> = 1.18	MQC APPLICATOR	734438-1	3.0	5.4	7.0	26.8	828904 (Ø5.0)	828922-1	
	2-962916-3	E	4	CuFe	△					MQC APPLICATOR	2-878559-2							
	1-962916-2	E	4	CuSn4	△	0.2 - 0.5	E = 2.1 G = 2.1 D <sub>Dr</sub> = 0.8	H = 4.7 K = 4.5 D = 3.2	0.5 mm <sup>2</sup> = 1.12 0.35 mm <sup>2</sup> = 1.05 0.2 mm <sup>2</sup> = 0.98	MQC APPLICATOR	539635-1	2.5	4.9	6.5	26.8	828904 (Ø5.0)	828922-1	
	2-962916-1	E	4	CuFe	△					MQC APPLICATOR	2-878558-2							
	UNSEALED / ungedichtet	3-968946-1	A	3	CuSn0.20	△	2.7 - 3.7	E = 4.5 G = 4.7 D <sub>Dr</sub> = 2.3	H = 5.7 K = 5.9 D = 3.3	4.0 mm <sup>2</sup> = 2.25	MQC APPLICATOR	539635-1	4.3	6.6	8.5	28.5	828922-1	828922-1
		2-968946-2	A	3	CuFe	△					MQC APPLICATOR	539723-2						
		2-968946-1	A	3	CuSn4	△	1.0 - 2.5	E = 3.6 G = 3.8 D <sub>Dr</sub> = 1.7	H = 5.5 K = 5.7 D = 3.2	2.5 mm <sup>2</sup> = 1.88 2.0 mm <sup>2</sup> = 1.73 1.5 mm <sup>2</sup> = 1.58	MQC APPLICATOR	734417-3	3.6	5.2	8.9	28.6	828922-1	828922-1
1-968946-2		A	3	CuFe	△	MQC APPLICATOR					2-878552-2							
2-962843-3		C	1	CuSn4	△	1.0 - 2.5	E = 3.6 G = 3.8 D <sub>Dr</sub> = 1.7	H = 4.3 K = 4.5 D = 2.6	2.5 mm <sup>2</sup> = 1.88 2.0 mm <sup>2</sup> = 1.73 1.5 mm <sup>2</sup> = 1.58	MQC APPLICATOR	734417-2	3.6	5.2	8.2	27.9	828922-1	828922-1	
2-962843-2		C	1	CuFe	△					MQC APPLICATOR	2-878551-2							
2-962843-1		C	1	CuSn4	△	0.5 - 1.0	E = 2.6 G = 2.8 D <sub>Dr</sub> = 1.1	H = 3.2 K = 3.4 D = 1.8	1.0 mm <sup>2</sup> = 1.36 0.75 mm <sup>2</sup> = 1.27 0.5 mm <sup>2</sup> = 1.18	MQC APPLICATOR	734417-1	3.0	4.6	7.0	26.7	828922-1	828922-1	
1-962843-3		C	1	CuFe	△					MQC APPLICATOR	2-878550-2							
2-962842-3		E	1	CuSn4	△	0.2 - 0.5	E = 2.1 G = 2.1 D <sub>Dr</sub> = 0.8	H = 2.9 K = 2.9 D = 1.4	0.5 mm <sup>2</sup> = 1.12 0.35 mm <sup>2</sup> = 1.05 0.2 mm <sup>2</sup> = 0.98	MQC APPLICATOR	734538-1	2.5	3.7	5.8	25.5	828922-1	828922-1	
2-962842-2		F	1	CuFe	△					MQC APPLICATOR	2-878549-2							
2-962842-1		E	1	CuSn4	△	0.2 - 0.5	E = 2.1 G = 2.1 D <sub>Dr</sub> = 0.8	H = 2.9 K = 2.9 D = 1.4	0.5 mm <sup>2</sup> = 1.12 0.35 mm <sup>2</sup> = 1.05 0.2 mm <sup>2</sup> = 0.98	MQC APPLICATOR	734538-1	2.5	3.7	5.8	25.5	828922-1	828922-1	
1-962842-2		E	1	CuFe	△					MQC APPLICATOR	2-878549-2							
2-963860-3		B	2	CuSn4	△	0.2 - 0.5	E = 2.1 G = 2.1 D <sub>Dr</sub> = 0.8	H = 2.9 K = 2.9 D = 1.4	0.5 mm <sup>2</sup> = 1.12 0.35 mm <sup>2</sup> = 1.05 0.2 mm <sup>2</sup> = 0.98	MQC APPLICATOR	734538-1	2.5	3.7	5.8	25.5	828922-1	828922-1	
2-963860-2		B	2	CuFe	△					MQC APPLICATOR	2-878549-2							
2-963860-1		B	2	CuSn4	△	0.2 - 0.5	E = 2.1 G = 2.1 D <sub>Dr</sub> = 0.8	H = 2.9 K = 2.9 D = 1.4	0.5 mm <sup>2</sup> = 1.12 0.35 mm <sup>2</sup> = 1.05 0.2 mm <sup>2</sup> = 0.98	MQC APPLICATOR	734538-1	2.5	3.7	5.8	25.5	828922-1	828922-1	
1-963860-3		B	2	CuFe	△					MQC APPLICATOR	2-878549-2							
1-963860-2		B	2	CuSn4	△	0.2 - 0.5	E = 2.1 G = 2.1 D <sub>Dr</sub> = 0.8	H = 2.9 K = 2.9 D = 1.4	0.5 mm <sup>2</sup> = 1.12 0.35 mm <sup>2</sup> = 1.05 0.2 mm <sup>2</sup> = 0.98	MQC APPLICATOR	734538-1	2.5	3.7	5.8	25.5	828922-1	828922-1	
1-963860-1		B	2	CuFe	△					MQC APPLICATOR	2-878549-2							

# Mouser Electronics

Authorized Distributor

Click to View Pricing, Inventory, Delivery & Lifecycle Information:

[TE Connectivity:](#)

[2-962915-1 \(Mouser Reel\)](#) [2-962915-1 \(Loose Piece\)](#) [2-962915-1 \(Cut Strip\)](#)