

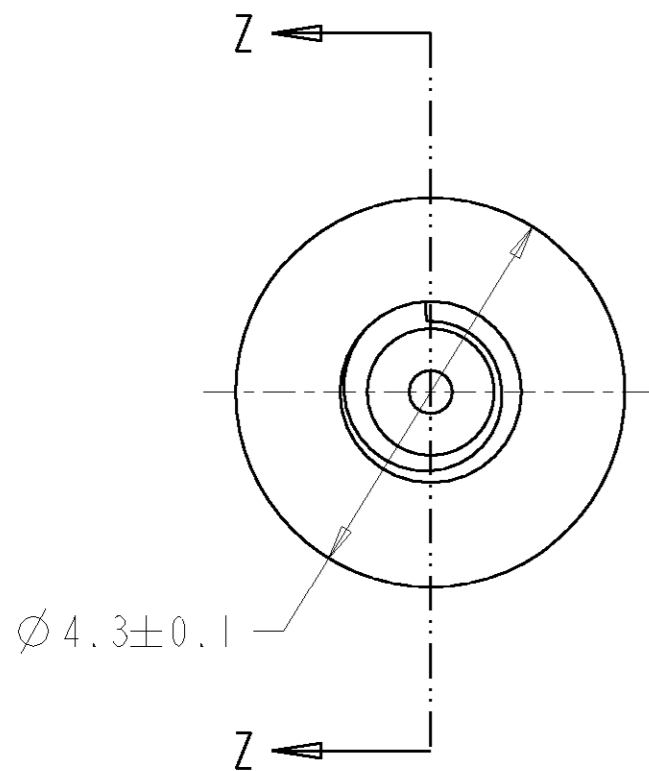
THIS DRAWING IS UNPUBLISHED.

RELEASED FOR PUBLICATION

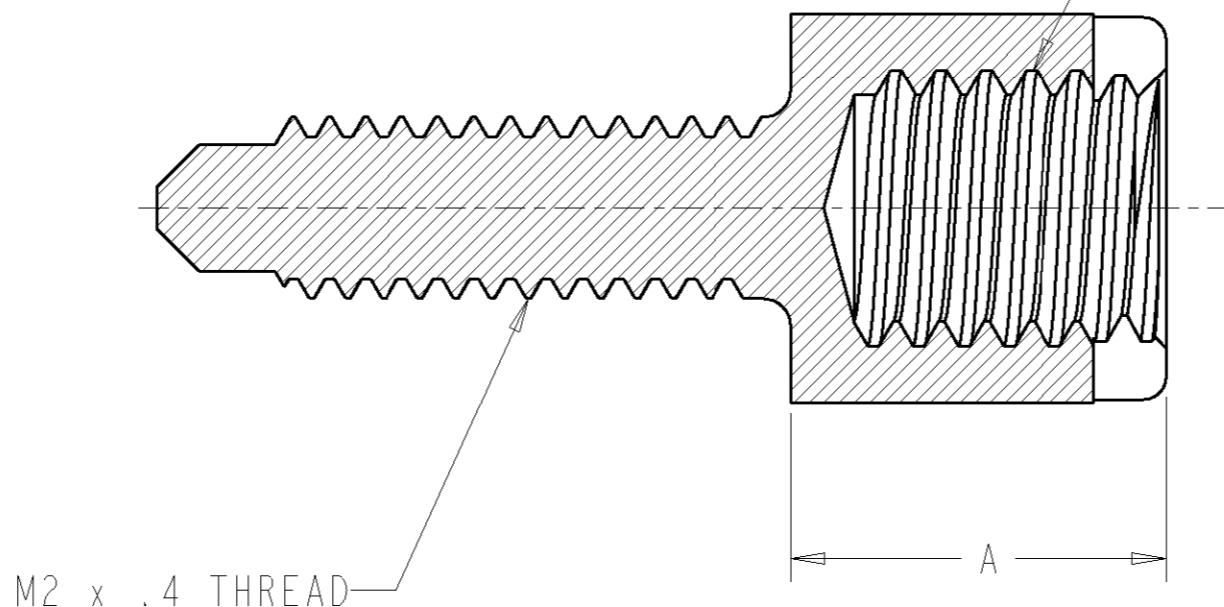
© COPYRIGHT

ALL RIGHTS RESERVED.

LOC	DIST	REVISIONS					
GP	00	P	LTR	DESCRIPTION	DATE	DWN	APVD
		A1		REVISED PER ECO-11-005294	20APR11	RK	HMR



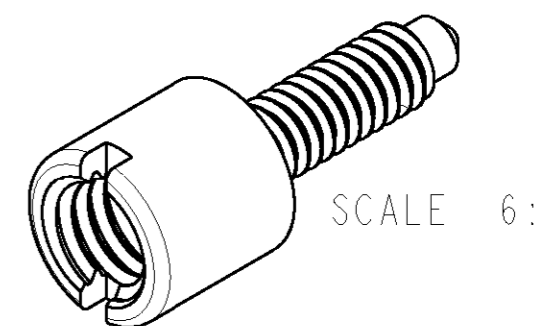
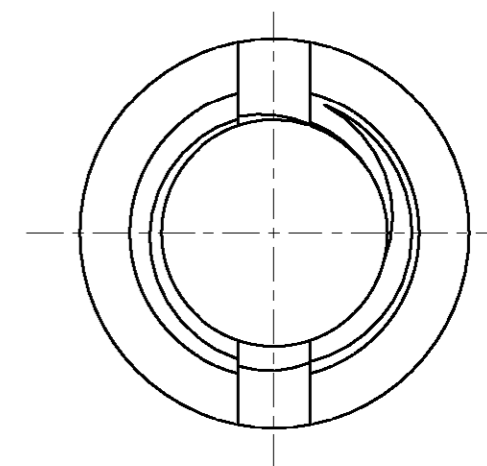
Ø 4.3 ± 0.1



M2 x .4 THREAD

SECTION Z-Z

THREAD
M3 X 0.5



SCALE 6:1

- 1. MATERIAL: STAINLESS STEEL.
- 2. SCREW LOCK REQUIRED FOR PART NUMBER 1339362.
SCREW LOCK MUST BE ORDERED SEPARATELY PER TABLE BELOW.

> 1mm - < 2mm	1339381-2
0mm - ≤ 1mm	1339381-1
PANEL THICKNESS	SCREW LOCK P/N

4.14	1339381-4	4
5.15	1339381-3	4
4.14	1339381-2	3
5.15	1339381-1	3
DIM A	PART NUMBER	

- 3. PACKAGED IN BAGS THAT INCLUDE 960 PIECES.
2 REQUIRED PER BOARD MOUNT CONNECTOR.

- 4. PACKAGED IN BAGS THAT INCLUDE 100 PIECES.
2 REQUIRED PER BOARD MOUNT CONNECTOR.

DWN K. ZARBOCK 27JUL01															
CHR D. WIEBKING 27JUL01															
APVD D. WIEBKING 27JUL01		NAME SCREW LOCK, MINI RJ21, RECEPTACLE													
DIMENSIONS: mm		PRODUCT SPEC -													
TOLERANCES UNLESS OTHERWISE SPECIFIED:		APPLICATION SPEC -													
<table border="1"> <tr><td>0 PLC</td><td>±-</td></tr> <tr><td>1 PLC</td><td>±0.05</td></tr> <tr><td>2 PLC</td><td>±0.05</td></tr> <tr><td>3 PLC</td><td>±0.05</td></tr> <tr><td>4 PLC</td><td>±0.05</td></tr> <tr><td>ANGLES</td><td>±2°</td></tr> </table>		0 PLC	±-	1 PLC	±0.05	2 PLC	±0.05	3 PLC	±0.05	4 PLC	±0.05	ANGLES	±2°	WEIGHT -	
0 PLC	±-														
1 PLC	±0.05														
2 PLC	±0.05														
3 PLC	±0.05														
4 PLC	±0.05														
ANGLES	±2°														
MATERIAL 1		FINISH -													
CUSTOMER DRAWING		SIZE A3	CAGE CODE 00779												
		DRAWING NO C=1339381	RESTRICTED TO -												
		SCALE 12:1	SHEET 1 OF 1												
		REV A1													

Mouser Electronics

Authorized Distributor

Click to View Pricing, Inventory, Delivery & Lifecycle Information:

[TE Connectivity:](#)

[1339381-2](#)