

THIS DRAWING IS UNPUBLISHED.

RELEASED FOR PUBLICATION

JAN ,2006.

REVISIONS

© COPYRIGHT 2006 By -

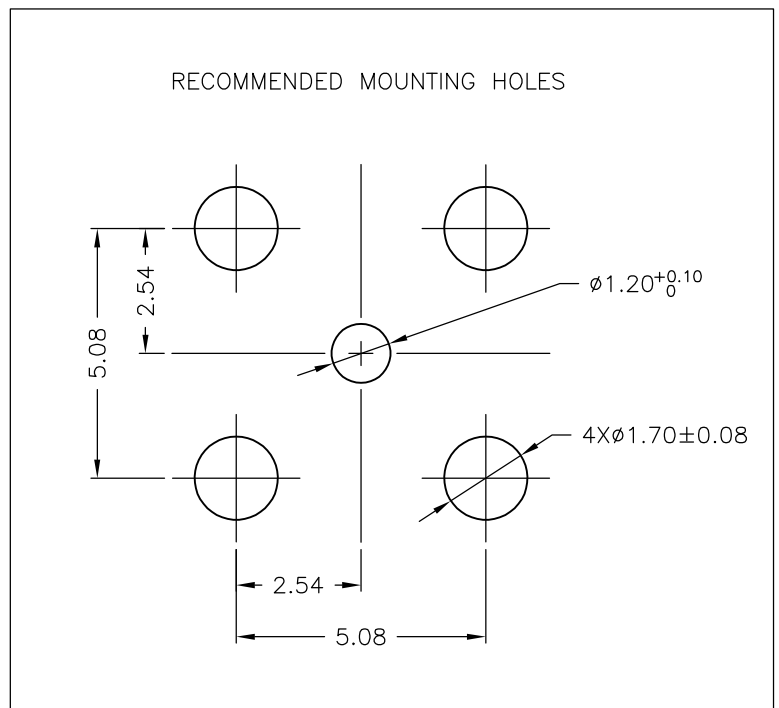
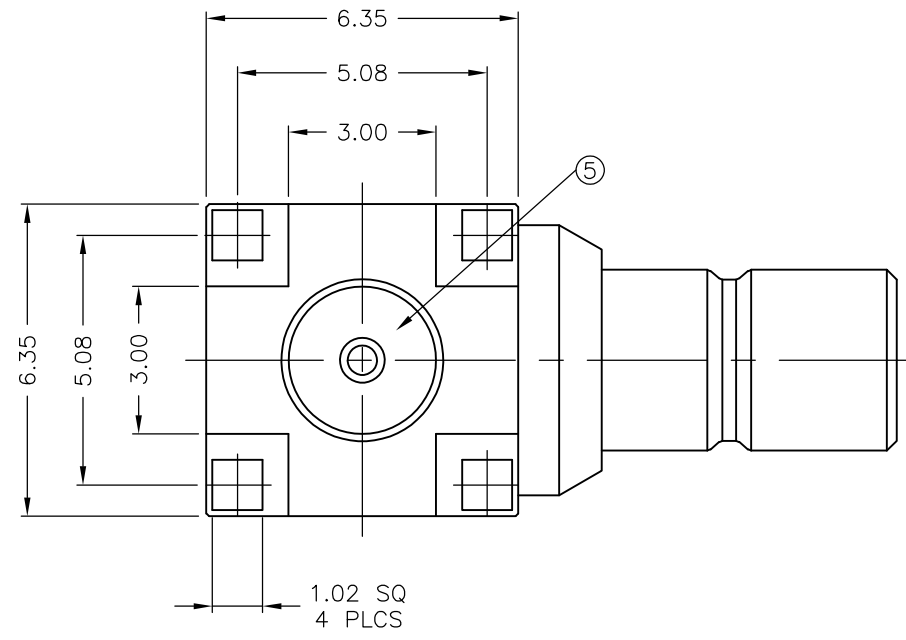
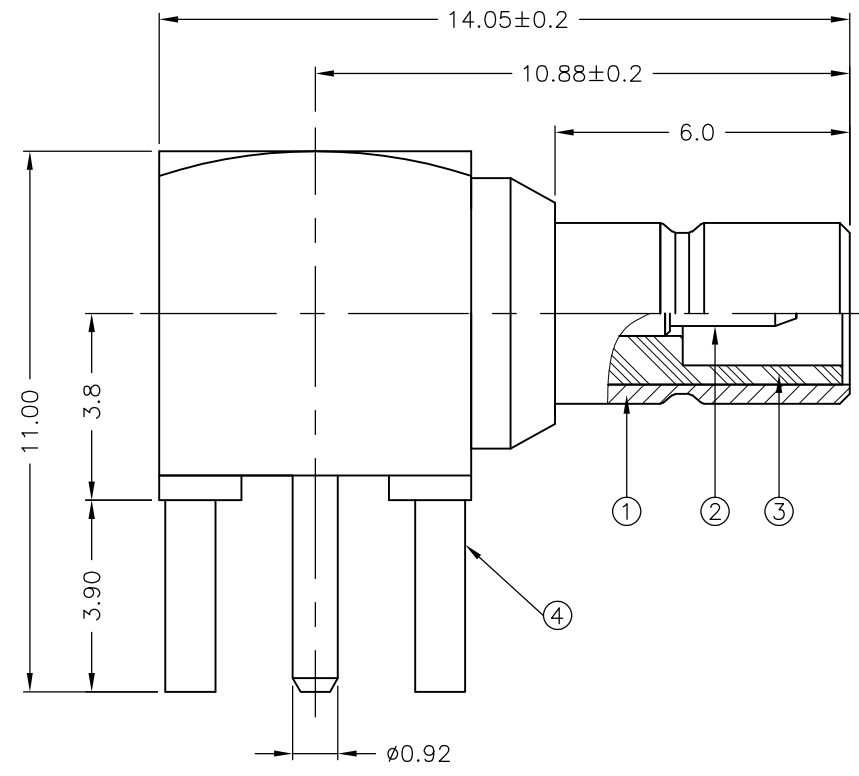
ALL RIGHTS RESERVED.

TODOS LOS DERECHOS RESERVADOS.

P	LTR	DESCRIPTION	DATE	DWN	APVD
	F	PER ECR-15-006368	05MAY05	RZ	MC

NOTES:

- 1 SINGLE PACKING: ONE CONNECTOR PER LABELED BAG PACKAGED. LABELED PER TEC-107-115
- 2 TRAY PACKAGED
- 3 Au PLATING
- 4 ELECTRICAL CHARACTERISTICS
 FREQUENCY RANGE: DC - 4 GHz
 NOMINAL IMPEDANCE: 50 Ohm
 INSULATION RESISTANCE: 1000 MOhm
 WORKING VOLTAGE: 250 Volts RMS at Sea Level
 DIELECTRIC WITHSTAND VOLTAGE: 750 Volts RMS Max
 CONTACT RESISTANCE:
 CENTER CONTACT: 6.00 mOhm Max
 OUTER CONTACT: 1.00 mOhm Max
- 5 MECHANICAL CHARACTERISTICS
 DURABILITY: 500 Cycles Min
- 6 ENVIRONMENTAL CHARACTERISTICS
 OPERATING TEMPERATURE: -65 to +165 DegC
- 7 FOR TECHNICAL DATA REFER TO YOUR LOCAL TE CONNECTIVITY SALES OFFICE
- 8 ALL DIMENSIONS ARE NOMINAL FOR REFERENCE ONLY UNLESS OTHERWISE STATED



QTY	QTY PER ASSY	MATERIAL	DESCRIPTION	ITEM
1	1	PTFE	INSULATION	5
1	1	BRASS	BODY	4
1	1	PTFE	INSULATION	3
1	1	BRASS	CONTACT	2
1	1	BRASS	BODY	1
6--0	1--0			

THIS DRAWING IS A CONTROLLED DOCUMENT.		DWN J.SANDWELL 12JAN06	TE Connectivity NAME SMB ELBOW PCB SOCKET 50 OHM			
DIMENSIONS: mm		CHK S.PARLOW 12JAN06				
TOLERANCES UNLESS OTHERWISE SPECIFIED:		APVD F.WHEELER-KING 12JAN06				
0 PLC ± - 1 PLC ± 0.2 2 PLC ± 0.15 3 PLC ± 0.1 4 PLC ± - ANGLES ± 5°		PRODUCT SPEC -				
MATERIAL SEE TABLE	FINISH -	APPLICATION SPEC -	SIZE A3	CAGE CODE 00779	DRAWING NO C-1337481	RESTRICTED TO -
CUSTOMER DRAWING			UNIQUEMENT	SCALE NTS	SHEET 1 OF 1	REV F

Mouser Electronics

Authorized Distributor

Click to View Pricing, Inventory, Delivery & Lifecycle Information:

[TE Connectivity:](#)

[1-1337481-0](#)